

Obsolete

M.C.C.

Micro Commercial Components

Micro Commercial Components
20736 Marilla Street Chatsworth
CA 91311
Phone: (818) 701-4933
Fax: (818) 701-4939

MC7809CT

Features

- Output current in excess of 1.0 Ampere
No external components required
Internal thermal overload protection
Internal short-circuit current limiting
Output voltage offered in 2% tolerance
Case Material: Molded Plastic. UL Flammability Classification Rating 94V-0

Maximum Ratings @ Ta=25°C, Unless Otherwise Noted

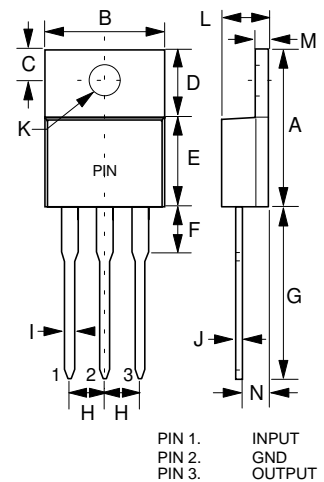
Table with 4 columns: Parameter, Symbol, Value, Unit. Rows include Input Voltage, Operating Ambient Temperature, Operating Junction Temperature, and Storage Temperature Range.

Electrical Characteristics (Vi=15V, Io=500mA, 0°C<Tj<125°C, Ci=0.33uF, Co=0.1uF, Unless Otherwise Specified)

Table with 6 columns: Parameter, Sym, Min, Typ, Max, Test conditions. Rows include Output Voltage, Load Regulation, Line regulation, Quiescent Current, Quiescent Current Change, Output Noise Voltage, Ripple Rejection, Dropout Voltage, Output Short Circuit Current, Output Short Circuit Current, Peak Output Current, and Temperature Coefficient of Output voltage.

Three-Terminal Positive Voltage Regulators

TO-220

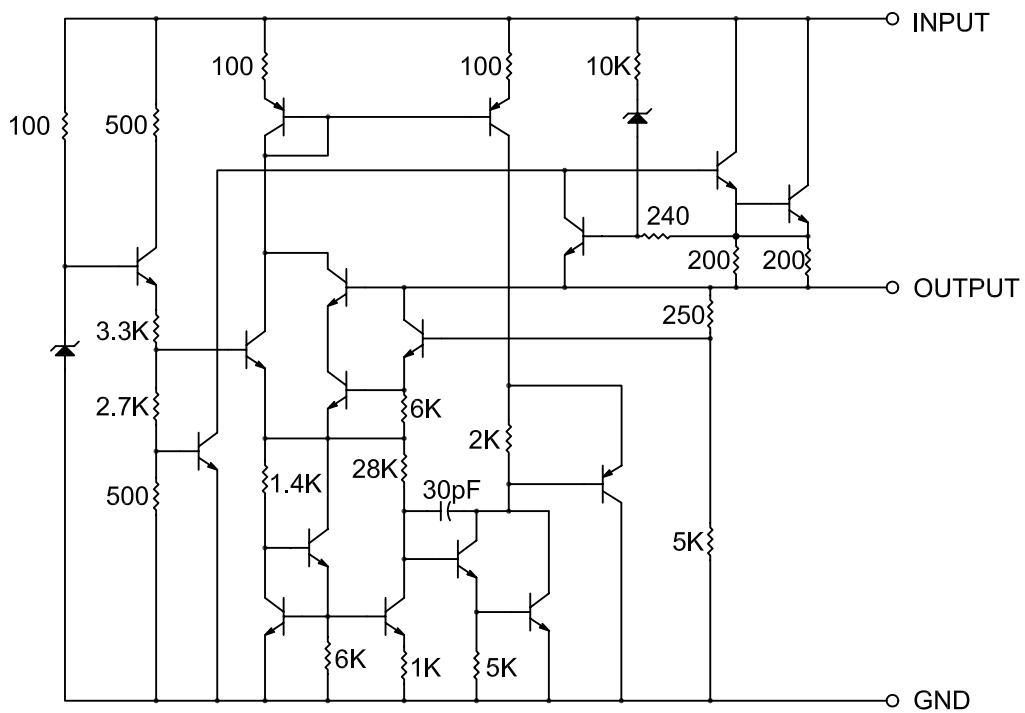


DIMENSIONS

Table with 5 columns: DIM, INCHES (MIN, MAX), MM (MIN, MAX), NOTE. Rows list dimensions A through N.

MC7809CT

Representation Schematic Diagram





TM

Micro Commercial Components

*****IMPORTANT NOTICE*****

Micro Commercial Components Corp. reserves the right to make changes without further notice to any product herein to make corrections, modifications, enhancements, improvements, or other changes. *Micro Commercial Components Corp.* does not assume any liability arising out of the application or use of any product described herein; neither does it convey any license under its patent rights, nor the rights of others. The user of products in such applications shall assume all risks of such use and will agree to hold *Micro Commercial Components Corp.* and all the companies whose products are represented on our website, harmless against all damages.

*****APPLICATIONS DISCLAIMER*****

Products offer by *Micro Commercial Components Corp.* are not intended for use in Medical, Aerospace or Military Applications.