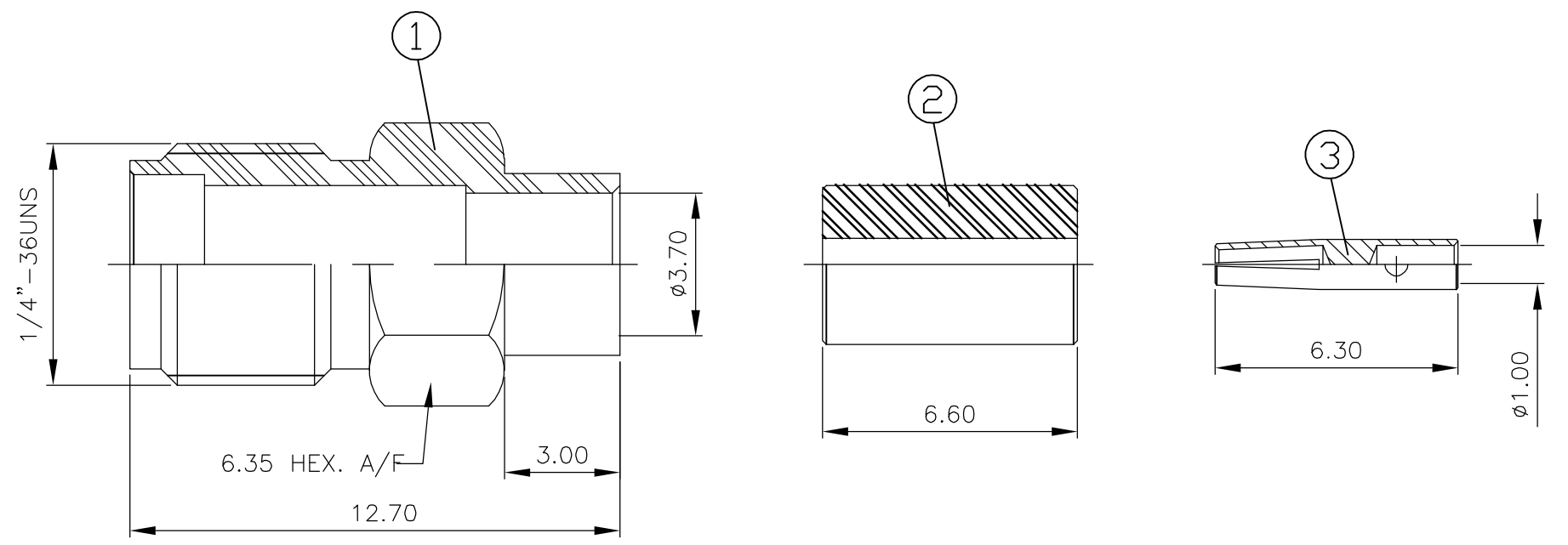


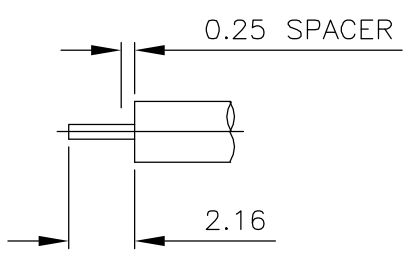
THIS DRAWING IS UNPUBLISHED. RELEASED FOR PUBLICATION APRIL, 2004.
 © COPYRIGHT 2004 BY TYCO ELECTRONICS CORPORATION. ALL RIGHTS RESERVED.

LOC	DIST	REVISIONS			
P	LTR	DESCRIPTION	DATE	DWN	APVD
E	B	A	EBD0-0035-03	30JAN04	RS FWK

- NOTES:
- 1 SINGLE PACK IN ACCORDANCE WITH SPEC 107-3275
 - 2 100 TRAY PACK IN ACCORDANCE WITH SPEC 107-3275
 - 3 0.08µm Au PLATING OVER 1.27µm Ni PLATING
 - 4 0.08µm Au PLATING OVER 1.27µm Ni PLATING OVER 0.76µm Cu PLATING
 - 5 0.76µm Au PLATING OVER 1.27µm Ni PLATING OVER 0.76µm Cu PLATING
 - 6 FOR TECHNICAL DATA REFER TO YOUR LOCAL TYCO ELECTRONICS SALES OFFICE
 - 7 ALL DIMENSIONS ARE NOMINAL FOR REFERENCE ONLY UNLESS OTHERWISE STATED



RECOMMENDED
CABLE STRIPPING DIM'S



QTY	PLC	FINISH	DESCRIPTION	ITEM
1	1	1	PTFE	INSULATOR 3
1	1	1	BERYLLIUM COPPER 5	SOCKET 2
1	1	-	BRASS 4	BODY 1
-	-	1	STAINLESS STEEL 3	BODY 1
3--1	3--0	1--1	1--0	MATERIAL DESCRIPTION ITEM
2	1	2	1	

THIS DRAWING IS A CONTROLLED DOCUMENT.		DWN R.SMITH 30JAN04	Tyco Electronics Corporation Bideford, UK, EX39 4HE	
DIMENSIONS: mm		CHK S.PARLOW 30JAN04		
TOLERANCES UNLESS OTHERWISE SPECIFIED:		APVD F.WHEELER-KING 30JAN04	NAME	
0 PLC ± -		PRODUCT SPEC	SMA STRAIGHT JACK DIRECT SOLDER	
1 PLC ± -		108-3460	NON CAPTIVE CENTRE CONTACT	
2 PLC ± -		APPLICATION SPEC	RG402/U	
3 PLC ± -		411-3276	SIZE	CAGE CODE
4 PLC ± -		WEIGHT -	A3	00779
ANGLES ± -		CUSTOMER DRAWING	DRAWING NO	RESTRICTED TO
FINISH -			C-1478928	-
MATERIAL SEE TABLE		SCALE 1:1	SHEET 1 OF 1	REV A