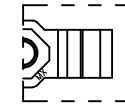
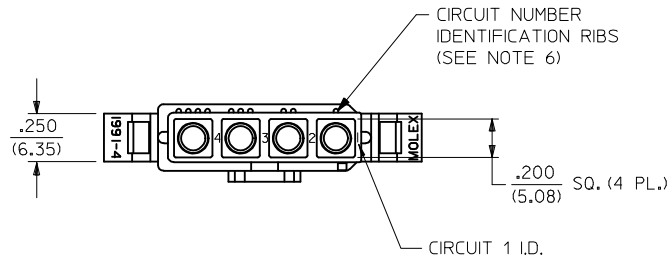


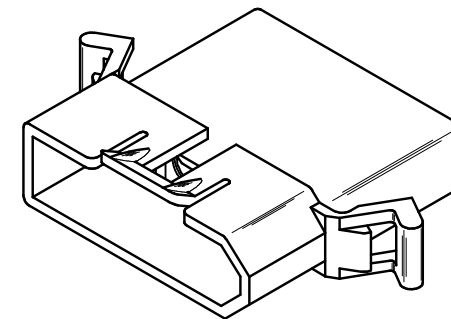
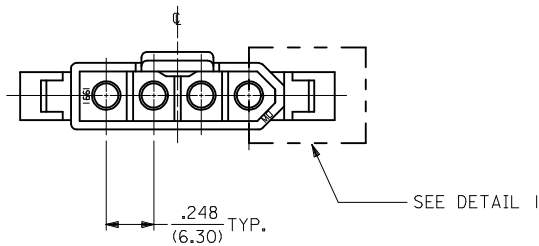
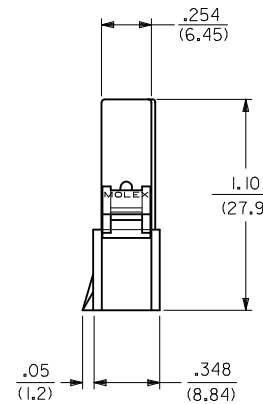
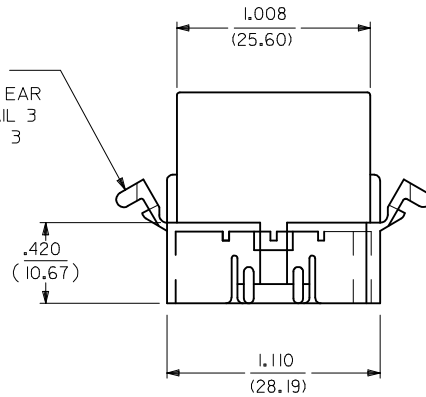
PLUG



ALTERNATE SQUARE END CONFIGURATION
(FOUND ON STANDARD MOUNTING EAR
VERSION TOOLS BUILT PRIOR TO 1/87.)

DETAIL 1

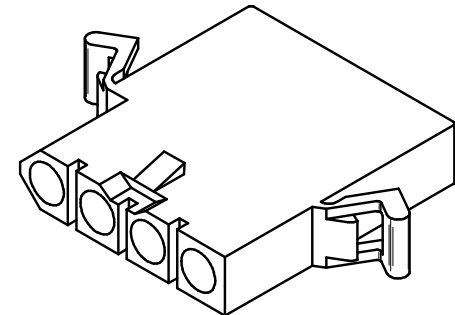
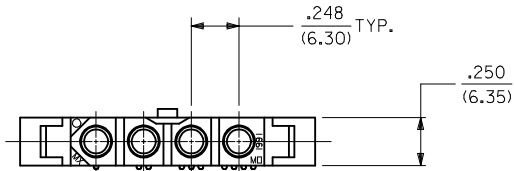
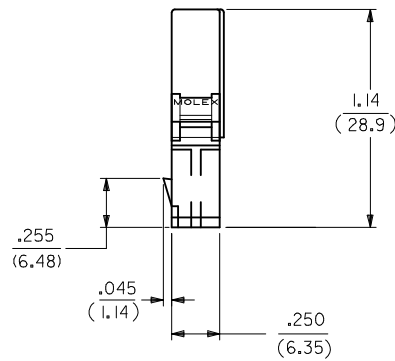
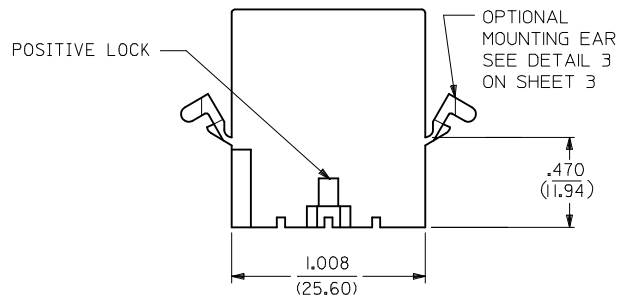
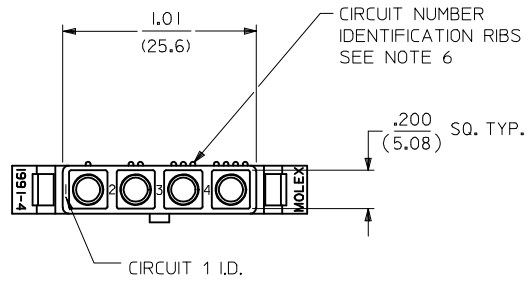
OPTIONAL
MOUNTING EAR
SEE DETAIL 3
ON SHEET 3



PLUG HOUSING

REMOVE 1991-4R EC NO: UCP2014-3949 DRWN:KIPPER 2014/03/27 CHKD:ANDERSON 2014/03/27 APPR:FSMITH 2014/06/10	QUALITY SYMBOLS ▽=0 ▽=0 ▽=0	GENERAL TOLERANCES (UNLESS SPECIFIED)		DIMENSION STYLE IN/MM		SCALE 2:1	DESIGN UNITS INCH	THIRD ANGLE PROJECTION
		4 PLACES ± .005	± .005	DRAWN BY	DATE	TITLE .093/(2.36) HOUSINGS, PLUG AND RECEPTACLE, 4 CKT, .248/(6.30) CTRS. molex		
		3 PLACES ± .010	± .010	CHECKED BY	DATE			
		2 PLACES ± 0.25	± .014	APPROVED BY	DATE			
1 PLACE ± 0.35	± .014	DATE	2014/06/10					
0 PLACE ± .010	± .010	ANGULAR ± 1 °		MATERIAL NO. SEE CHART		DOCUMENT NO. SD-1991-4*	SHEET NO. 1 OF 3	
DRAFT WHERE APPLICABLE MUST REMAIN WITHIN DIMENSIONS		SIZE C		THIS DRAWING CONTAINS INFORMATION THAT IS PROPRIETARY TO MOLEX INCORPORATED AND SHOULD NOT BE USED WITHOUT WRITTEN PERMISSION				

RECEPTACLE



RECEPTACLE HOUSING

SEE SHEET 1 EC NO: UCP2014-3949 DRWN:KIPPER 2014/03/27 CHKD:ANDERSON 2014/03/27 APPR:FSMITH 2014/06/10	QUALITY SYMBOLS ∇=0 ∇=0 ∇=0	GENERAL TOLERANCES (UNLESS SPECIFIED)		DIMENSION STYLE IN/MM	SCALE 2:1	DESIGN UNITS INCH	THIRD ANGLE PROJECTION	
		4 PLACES ± --- ± ---	3 PLACES ± --- ± .010	DRAWN BY GEP	DATE 1988/03/01	TITLE .093/(2.36) HOUSINGS, PLUG AND RECEPTACLE, 4 CKT, .248/(6.30) CTRS.		
		2 PLACES ± 0.25 ± .014	1 PLACE ± 0.35 ± ---	CHECKED BY RW	DATE 1988/03/01	MATERIAL NO. SD-1991-4*		
		0 PLACE ± --- ± ---	ANGULAR ± 1 °	APPROVED BY FSMITH	DATE 2014/06/10	DOCUMENT NO. SD-1991-4*	SHEET NO. 2 OF 3	
J1	REV	DRAFT WHERE APPLICABLE MUST REMAIN WITHIN DIMENSIONS		SIZE C	THIS DRAWING CONTAINS INFORMATION THAT IS PROPRIETARY TO MOLEX INCORPORATED AND SHOULD NOT BE USED WITHOUT WRITTEN PERMISSION			

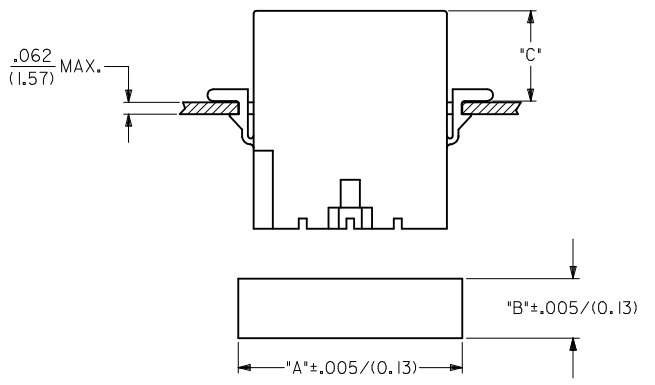
PLUG		RECEPTACLE	
PART NO.	ENG. NO.	PART NO.	ENG. NO.
19-09-2042	1991-4P1	19-09-1042	1991-4R1
19-09-2043	1991-4P2	19-09-1043	1991-4R2

LEGEND:

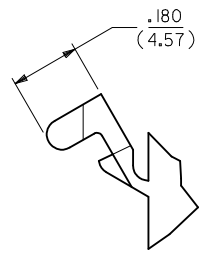
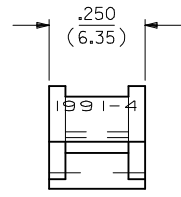
1991-4****
 CIRCUIT SIZE
 P = PLUG
 R = RECEPTACLE
 1 = WITHOUT EARS
 2 = WITH PREBENT EARS, PER DETAIL 3

COLOR: BLANK=NATURAL COLOR

- AM=AMBER BK=BLACK BU=BLUE
- BN=BROWN GY=GRAY GN=GREEN
- OR=ORANGE RD=RED YW=YELLOW



HOUSING	DIM. "A"	DIM. "B"	DIM. "C" STD.EAR	DIM. "C" PREBENT
PLUG	1.270/(32.26)	.365/(9.27)	.48/(12.2)	.52/(13.2)
RECEPTACLE	1.168/(29.67)	.311/(7.90)	.47/(11.9)	.51/(12.9)



DETAIL 3
 PREBENT MOUNTING EAR
 (SCALE 4:1)

- NOTES:
- MATERIAL: NYLON TYPE 6/6, 94V-2.
 - FINISH: N/A
 - PRODUCT SPECIFICATION: PS-02-09
 - PACKAGING SPECIFICATION: PK-1991-001
 - ACCEPTS MOLEX .093/(2.36) SERIES TERMINALS.
 - CIRCUIT IDENTIFICATION RIBS MAY OR MAY NOT BE PRESENT.
 - PARTS CONFORM TO CLASS B REQUIREMENTS OF COSMETIC SPECIFICATION PS-45499-002.

SEE SHEET 1 EC NO: UCP2014-3949 DRAWN: KIPPER 2014/03/27 CHKD: BANDESON 2014/03/27 APPR: FSMITH 2014/06/10	QUALITY SYMBOLS	GENERAL TOLERANCES (UNLESS SPECIFIED)	DIMENSION STYLE IN/MM	SCALE 2:1	DESIGN UNITS INCH	THIRD ANGLE PROJECTION
	▽=0	mm INCH	DRAWN BY DATE GEP 1988/03/01	.093/(2.36) HOUSINGS, PLUG AND RECEPTACLE, 4 CKT, .248/(6.30) CTRS.		
	▽=0	4 PLACES ± --- ± ---	CHECKED BY DATE RW 1988/03/01			
	▽=0	3 PLACES ± --- ±.010	APPROVED BY DATE FSMITH 2014/06/10	MATERIAL NO.	DOCUMENT NO.	SHEET NO.
▽=0	2 PLACES ± 0.25 ±.014	SEE CHART SD-1991-4*		3 OF 3		
▽=0	1 PLACE ± 0.35 ± ---			THIS DRAWING CONTAINS INFORMATION THAT IS PROPRIETARY TO MOLEX INCORPORATED AND SHOULD NOT BE USED WITHOUT WRITTEN PERMISSION		
	0 PLACE ± --- ± ---	DRAFT WHERE APPLICABLE MUST REMAIN WITHIN DIMENSIONS				