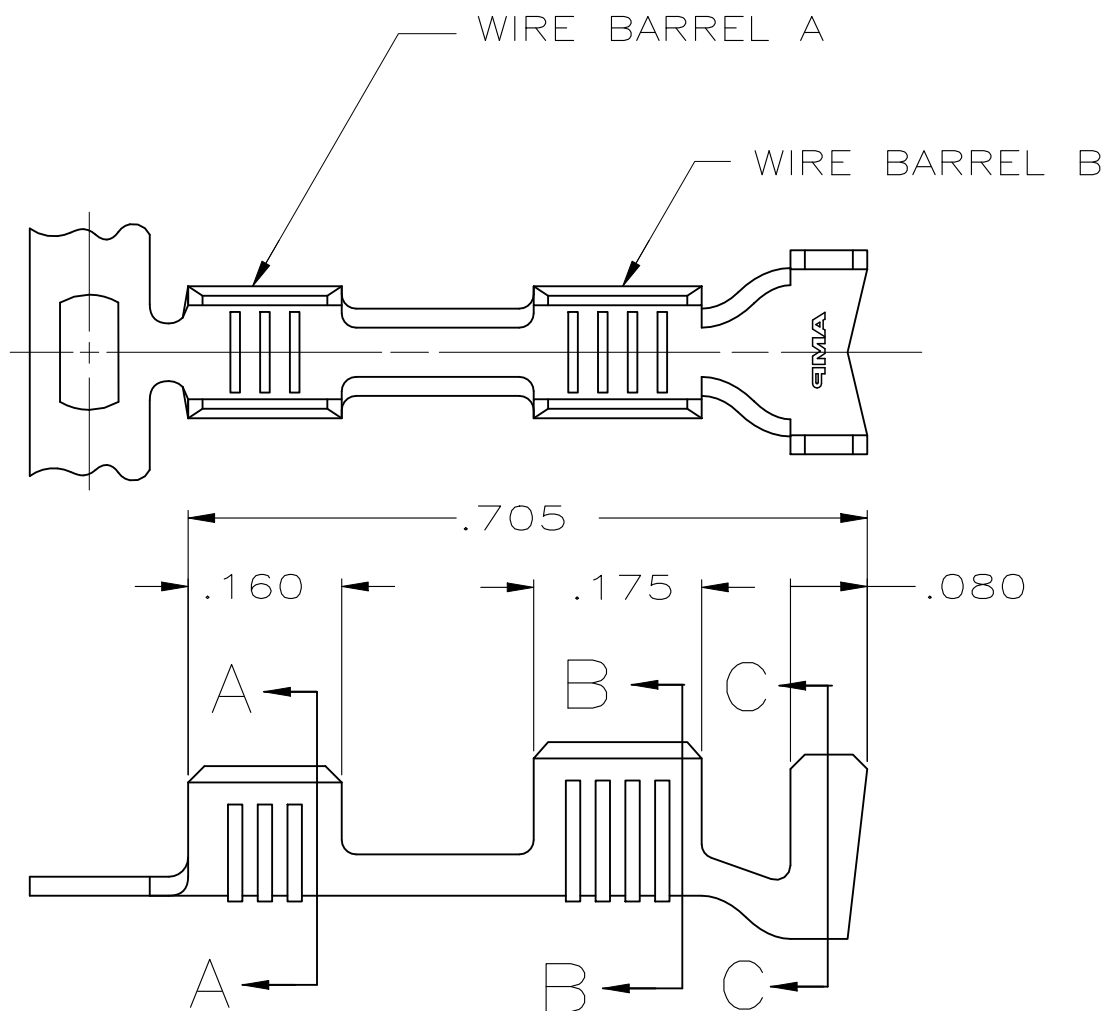
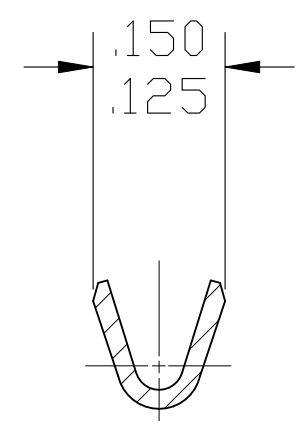


REVISIONS					
P	LTR	DESCRIPTION	DATE	DWN	APVD
	L1	REVISED PER ECR-22-135023	14APR2022	DB	EW

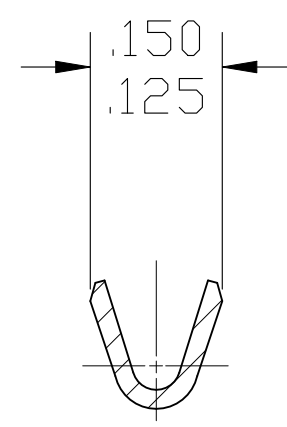


1 CONTINUOUS STRIP ON REELS WITH TERMINALS LOCATED ON .535 CENTERS.

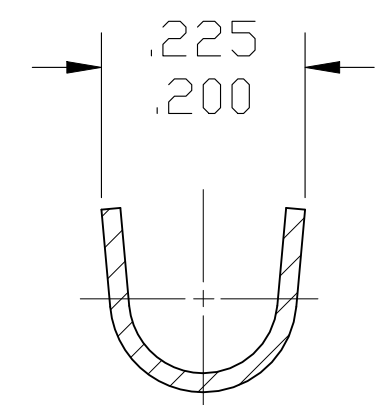
2 OBSOLETE PART



SECTION A-A



SECTION B-B



SECTION C-C

	.135-.170 DIA	#18-#16 AWG	#18-#14 AWG	NICKEL	TEMP 3 STEEL	62419-3
OBSOLETE	.135-.170 DIA	#18-#16 AWG	#18-#14 AWG	NONE	082 BRASS	62419-2 ²
	.135-.170 DIA	#18-#16 AWG	#18-#14 AWG	TIN	082 BRASS	62419-1
INSULATION RANGE	BARREL A WIRE RANGE		BARREL B WIRE RANGE	FINISH	MATERIAL	PART NO.

THIS DRAWING IS A CONTROLLED DOCUMENT.		DWN	JR RUTH	28FEB05	TE Connectivity NAME SPLICE, BUTT	
DIMENSIONS: INCHES		CHK	G PORTA	28FEB05		
TOLERANCES UNLESS OTHERWISE SPECIFIED:		APVD	G PORTA	28FEB05		
0 PLC ± - 1 PLC ± - 2 PLC ± - 3 PLC ± .015 4 PLC ± - ANGLES ± -		PRODUCT SPEC		NAME		
MATERIAL	SEE TABLE	FINISH	SEE TABLE	WEIGHT	0.000000	RESTRICTED TO
CUSTOMER DRAWING		SIZE	A3	CAGE CODE	00779	DRAWING NO
		SCALE	5:1	DRAWING NO		62419
		SHEET		1	OF	1
		REV		L1		