

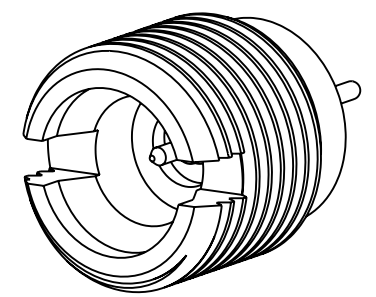
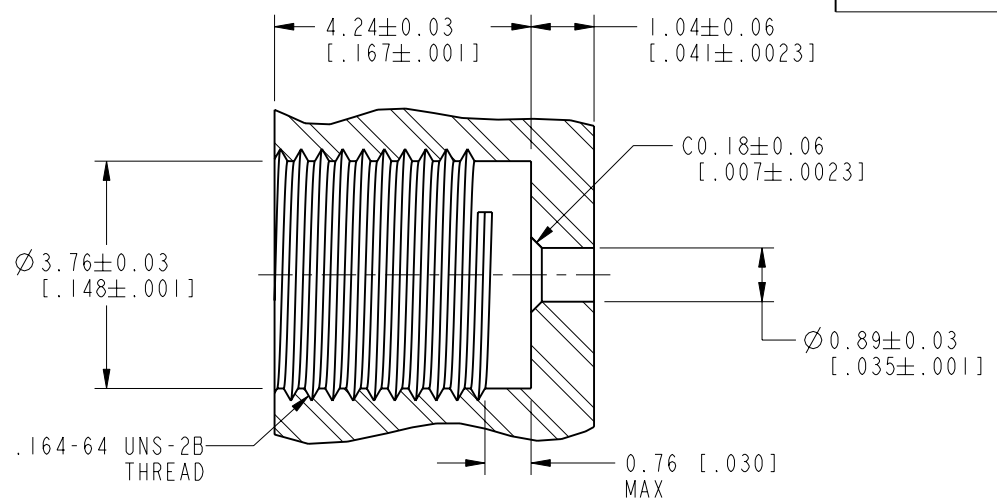
NOTES:

1. MATERIALS AND FINISHES:  
 BODIES - STAINLESS STEEL, PASSIVATED  
 CONTACT - BeCu, GOLD PLATING  
 INSULATOR - PTFE
2. ELECTRICAL:  
 A. IMPEDANCE: 50 OHM .
3. MECHANICAL:  
 A. DURABILITY: 500 CYCLES MIN.  
 B. TEMPERATURE RANGE: -65° C TO +165° C
4. PACKAGING:  
 A. QUANTITY: SINGLE PACK  
 B. MARKING: BAG TO BE MARKED  
 "AMPHENOL, 925-157J-51S, AND DATE CODE"

THIRD ANGLE PROJ.

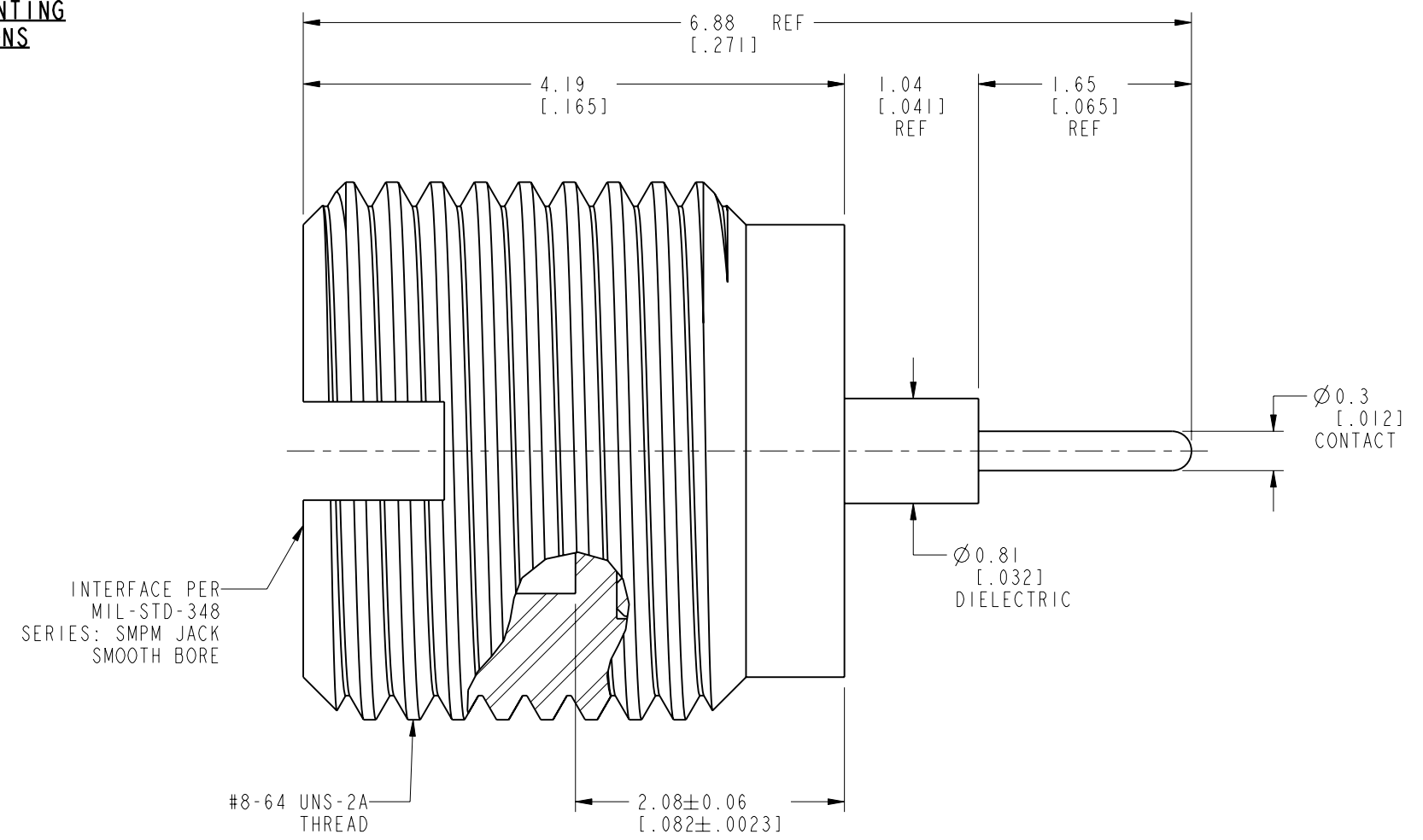
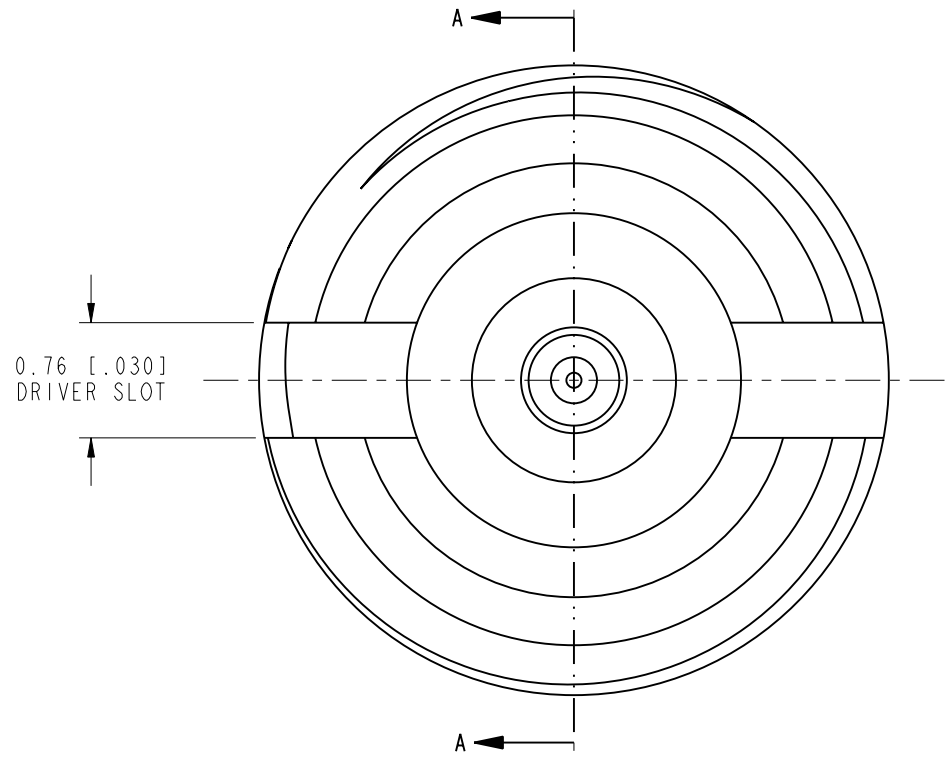
REVISIONS

REV	DESCRIPTION	DATE	ECO	APPR
A	RELEASE TO MFG.	25-NOV-16	02401	RM
B	UPDATED THE DESCRIPTION OF THREAD	09-Oct-18	09321	SC



SCALE 8.000

**RECOMMENDED MOUNTING HOLE DIMENSIONS**



INTERFACE PER MIL-STD-348 SERIES: SMPM JACK SMOOTH BORE

**CUSTOMER OUTLINE DRAWING**  
 ALL OTHER SHEETS ARE FOR INTERNAL USE ONLY

UNLESS OTHERWISE SPECIFIED, DIMENSIONS ARE IN METRIC AND TOLERANCES ARE: <0.5mm ±0.05mm    0.5 - 6mm ±0.1mm    6 - 30mm ±0.2mm    30 - 120mm ±0.3mm    ANGLES ±1°	MATERIAL	DRAWN	DATE	TITLE SMPM JACK SMOOTH BORE THREAD-IN	Amphenol RF www.amphenolrf.com
	SEE NOTES	STAR	09-Oct-18		
NOTICE - These drawings, specifications, or other data (1) are, and remain the property of Amphenol corp. (2) must be returned upon request; and (3) are confidential and not to be disclosed to any person other than those to whom they are given by Amphenol Corp. the furnishing of these drawings, specifications, or other data by Amphenol Corp., or to any other person to anyone for any purpose is not to be regarded by implication or otherwise in any manner licensing, granting rights to permitting such holder or any other person to manufacture, use or sell any product, process or design, patented or otherwise, that may in any way be related to or disclosed by said drawings, specifications, or other data.	REFERENCE	ENGINEER	DATE	SCALE: 20.0:1.0	SHEET 2 OF 2 DWG SIZE B REV B
	EAR # 6937 AND	J. NERI	17-Sep-15		
	CONFIGURATION LEVEL:	APPROVED	DATE		
FINISH	S. HSIEH	09-Oct-18			DRAWING NO. 925-157J-51S ITEM NO. 925-157J-51S PART NO. 925-157J-51S