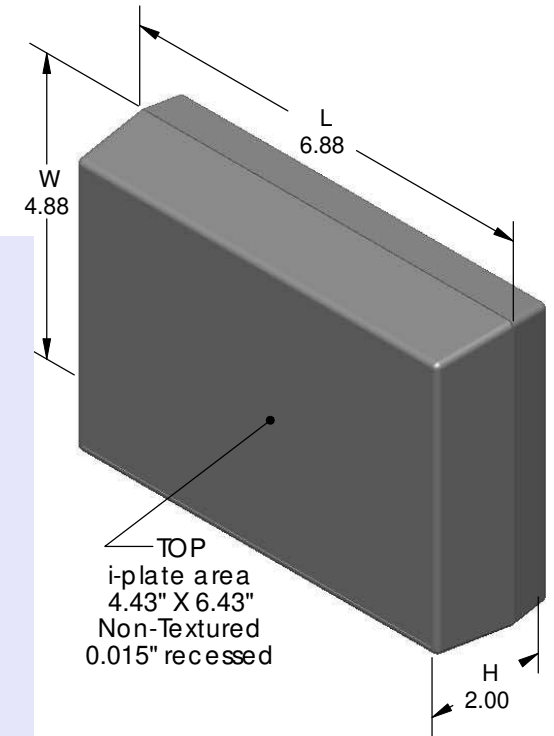
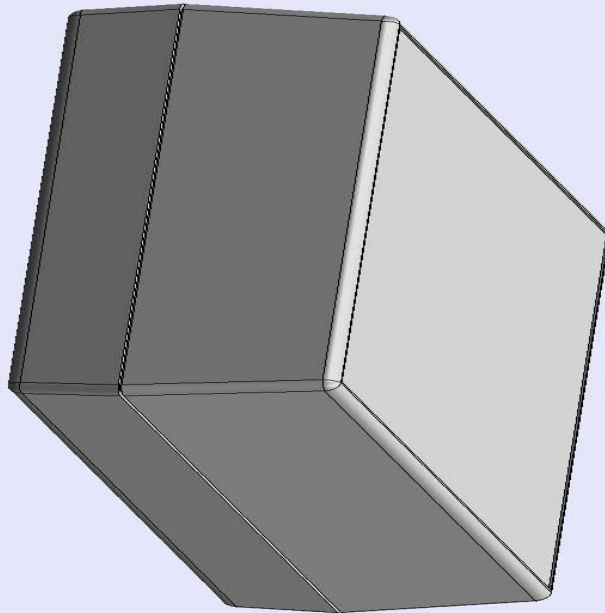


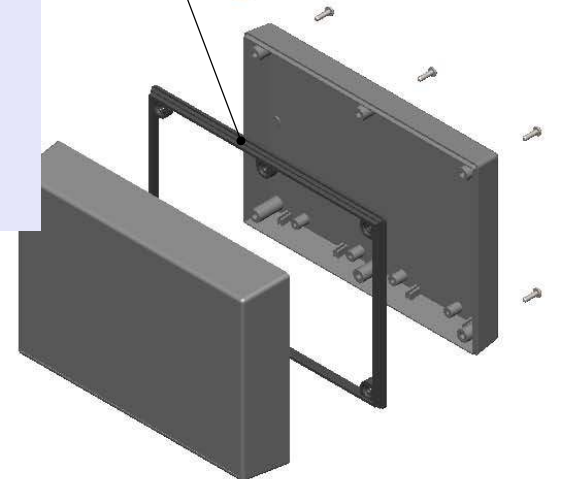
SERPAC172i (exploded isometric)

Electronic Enclosures

- Click on image to show toolbar. Use ▶ || to Play/Pause Animation.
- Left click and drag on image to move 3D model.



Water proofing gasket
PS17 optional.
see note #2



- a) Zoom in & out with center wheel.
- b) Pause at any moment to view and or print views.
- c) Change the views to ortho and section views if needed from the Views pull down menu.
- d) Explore options included in the tool bar like: Views, Transparency of model, Lighting type, etc.

PART NO.	DESCRIPTION (Included)	ACCESSORIES (Optional)	
7-2-i	TOP	PART NO.	DESCRIPTION
17	BOTTOM	50	Non-skid Feet
6005	#4X3/8" Self tapping (6)	PS17	Perimeter Seal
		370	Prototype grid board
		470	Prototype clad board

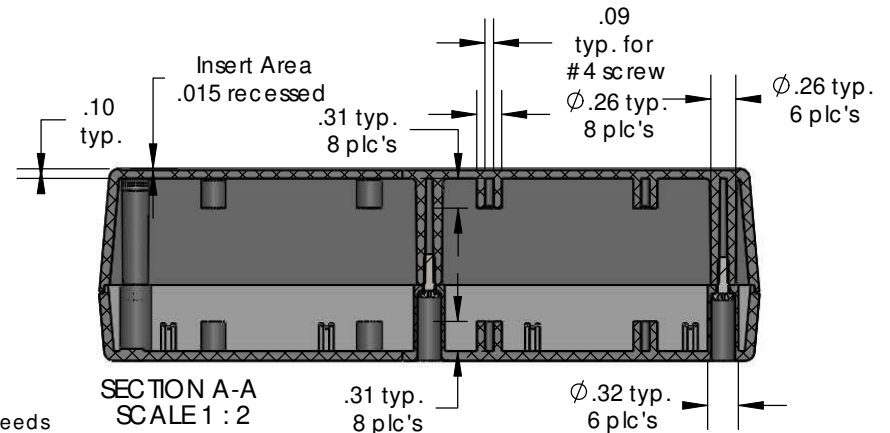
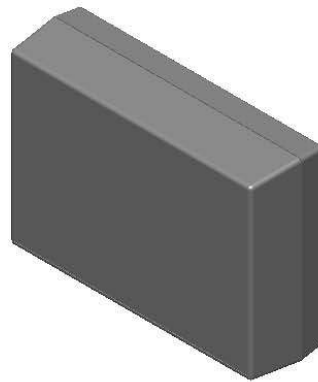
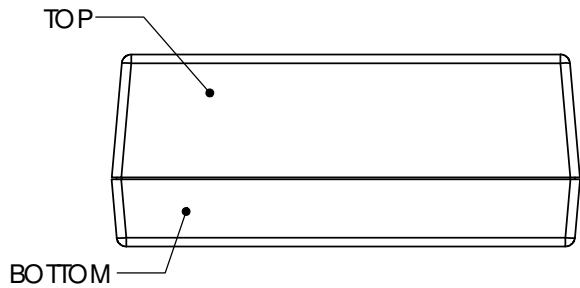
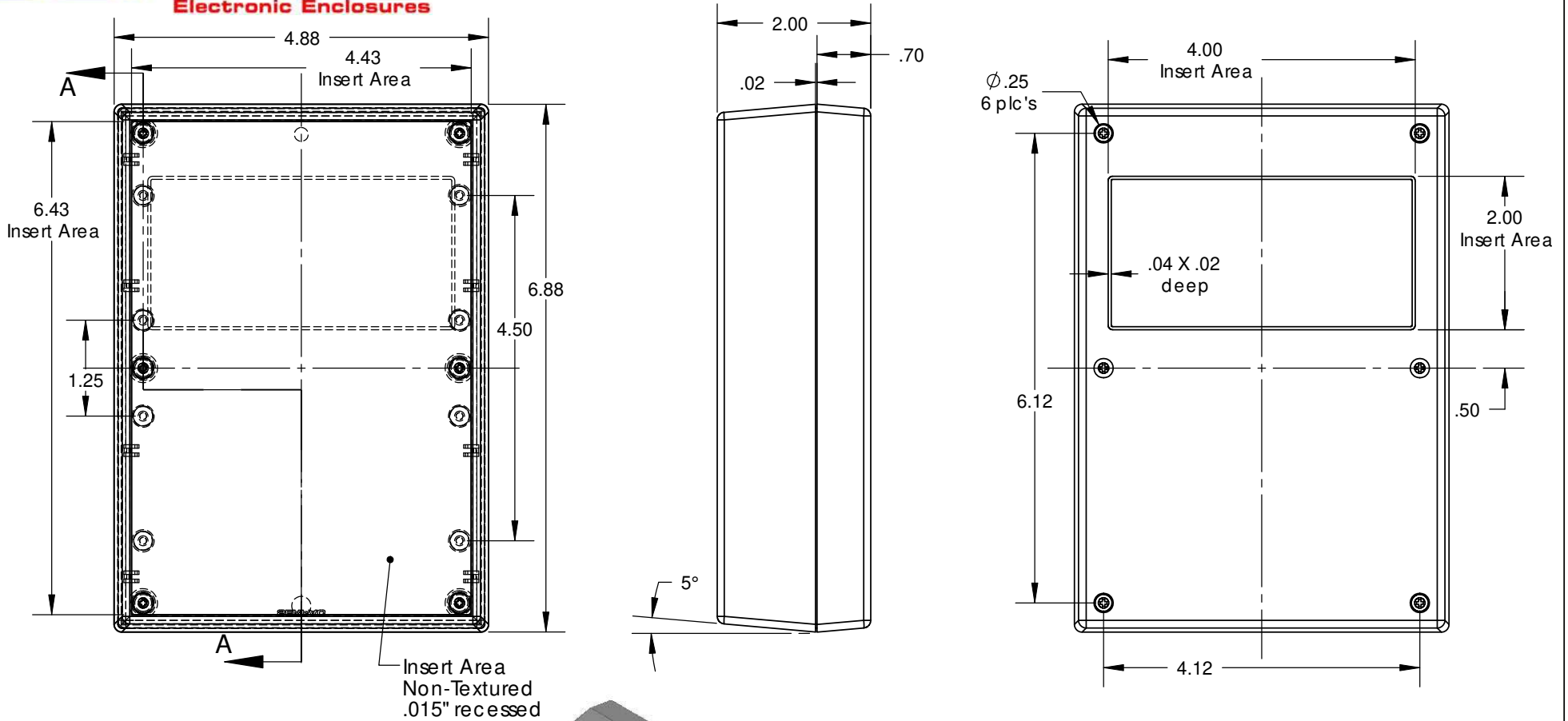
Notes: Enclosure weight .43 lbs/ 197 gm

- 1) Enclosure meets or exceeds IP40 and NEMA 1
- 2) When used with PS17 the enclosure meets or exceeds IP 66 and NEMA 4X, 12 and 13 MIL-STD-810G 506.5
- 3) Circuit Board drawings can be download at:
<http://www.serpac.com/Accessories/CircuitBoard/drawings/370-470.pdf>
- 4) All components are RoHS Compliant.

ALL DIMENSIONS ARE ±.010" 3/23/10 (1 of 2)
619 Commercial Ave. Covina, CA 91723
Ph. (626) 331-0517 Fx. (626) 331-8584 serpac.com

SERPAC 172i (user print)

Electronic Enclosures



PART NO.	DESCRIPTION (Included)	ACCESSORIES (Optional)	
7-2-i	TOP	PART NO.	DESCRIPTION
17	BOTTOM	50	Non-skid Feet
6005	#4X3/8" self tapping (6)	PS17	Perimeter Seal
		370	Prototype grid board
		470	Prototype clad board

- Notes:
- Enclosure weight .43 lbs/197 gm
 - Enclosure meets or exceeds IP40 and NEMA 1
 - When used with PS-17 the enclosure meets or exceeds IP 66 and NEMA 4X, 12 and 13 MIL-STD-810G 506.5
 - Circuit Board drawings can be download at: <http://www.serpac.com/Accessories/CircuitBoard/drawings/370-470.pdf>
 - All components are RoHS compliant.

ALL DIMENSIONS ARE $\pm .010"$ 3/23/10 (2 of 2)
 619 Commercial Ave. Covina, CA 91723
 Ph. (626) 331-0517 Fx. (626) 331-8584 www.serpac.com