

881111-1 ✓ ACTIVE

MATE-N-LOK | Universal MATE-N-LOK

TE Internal #: 881111-1

Power Contacts, Contact, Tin, 20 – 14 AWG Wire Size, .52 – 2.08 mm<sup>2</sup> Wire Size, Wire & Cable, Crimp, Power, Socket, Universal MATE-N-LOK

[View on TE.com >](#)



Connectors > Power Connectors > Power Contacts



Power Contact Type: **Contact**

Contact Mating Area Plating Material: **Tin**

Wire Size: **.52 – 2.08 mm<sup>2</sup>**

Connector & Contact Terminates To: **Wire & Cable**

## Features

### Product Type Features

Compatible With Discrete Wire Type	Stranded
Power Contact Type	Contact
Connector & Contact Terminates To	Wire & Cable

### Contact Features

Contact Mating Area Plating Material	Tin
Contact Type	Socket
Contact Retention Within Housing	Without
Mating Pin Diameter	2 mm[.079 in]
Contact Base Material	Brass
Wire Contact Termination Area Plating Material	Tin
Wire Contact Termination Area Plating Material Finish	Bright
Contact Orientation	Straight

### Termination Features

Termination Method to Wire & Cable	Crimp
------------------------------------	-------



### Mechanical Attachment

Wire Insulation Support	Without
-------------------------	---------

### Dimensions

Wire Size	.52 – 2.08 mm <sup>2</sup>
Compatible Insulation Diameter Range	3.3 mm[.13 in]

### Usage Conditions

Operating Temperature Range	-55 – 125 °C[-67 – 257 °F]
-----------------------------	----------------------------

### Operation/Application

Circuit Application	Power
---------------------	-------

### Packaging Features

Packaging Quantity	3500
Packaging Method	Reel

### Product Compliance

For compliance documentation, visit the product page on [TE.com](#)>

EU RoHS Directive 2011/65/EU	Compliant
EU ELV Directive 2000/53/EC	Compliant
China RoHS 2 Directive MIIT Order No 32, 2016	No Restricted Materials Above Threshold
EU REACH Regulation (EC) No. 1907/2006	Current ECHA Candidate List: JUNE 2023 (235) Candidate List Declared Against: JUNE 2023 (235) Does not contain REACH SVHC
Halogen Content	Low Halogen - Br, Cl, F, I < 900 ppm per homogenous material. Also BFR/CFR/PVC Free
Solder Process Capability	Not applicable for solder process capability

#### Product Compliance Disclaimer

This information is provided based on reasonable inquiry of our suppliers and represents our current actual knowledge based on the information they provided. This information is subject to change. The part numbers that TE has identified as EU RoHS compliant have a maximum concentration of 0.1% by weight in homogenous materials for lead, hexavalent chromium, mercury, PBB, PBDE, DBP, BBP, DEHP, DIBP, and 0.01% for cadmium, or qualify for an exemption to these limits as defined in the Annexes of Directive 2011/65/EU (RoHS2). Finished electrical and electronic equipment products will be CE marked as required by Directive 2011/65/EU. Components may not be CE marked. Additionally, the part numbers that TE has identified as EU ELV compliant have a maximum concentration of 0.1% by weight in homogenous materials for lead, hexavalent chromium, and mercury, and 0.01% for cadmium, or qualify for an exemption to these limits as defined in the Annexes of Directive 2000/53/EC (ELV). Regarding the REACH Regulation, the information TE provides on SVHC in articles for this part number is based on the latest European Chemicals Agency (ECHA) 'Guidance on requirements for substances in articles' posted at this URL: <https://echa.europa.eu/guidance-documents/guidance-on-reach>

## Compatible Parts



TE Part # 926893-1  
UNIV.M-N-L.SOCKET CONTACT



TE Part # 350537-3  
UMNL SOK 20-14 .0125 PTPPHBZ



TE Part # 926882-3  
UNIV.M-N-L.SOCKET



TE Part # 926882-1  
UNIV.M-N-L.SOCKET



TE Part # 350536-3  
UMNL SOK 20-14 .0125 PTPPHBZ



TE Part # 881109-1  
U-M-N-L SPLIT PIN



TE Part # 350536-1  
UMNL SOK 20-14 .0126 PTPBR



TE Part # 350537-1  
UMNL SOK 20-14 .0126 PTPBR



TE Part # 881109-3  
U-M-N-L SPLIT PIN



TE Part # 2825072-1  
UMNL PIN 24-18 .0126 PTPBR

## Also in the Series | Universal MATE-N-LOK



Circular Power Connectors(2)



Connector Contacts(2)



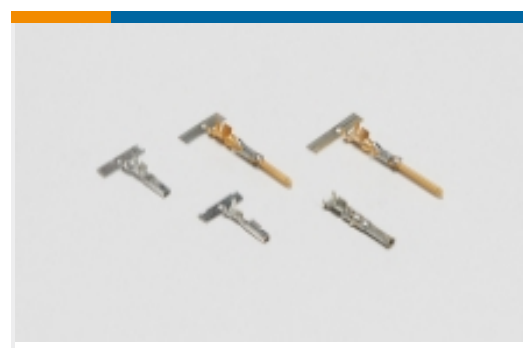
Connector Seals & Cavity Plugs(27)



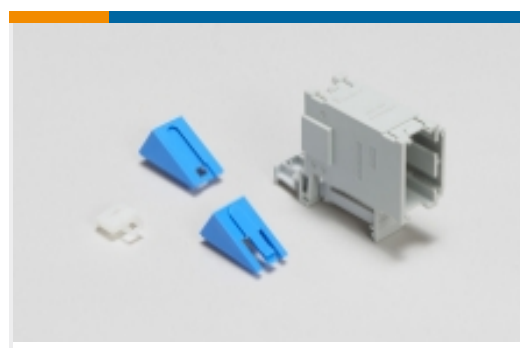
Connector Strain Relief(34)



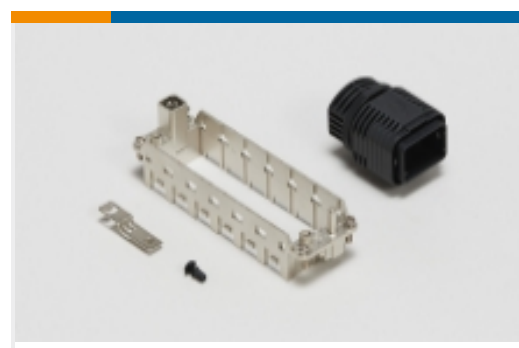
Insertion & Extraction Tools(4)



Power Contacts(209)



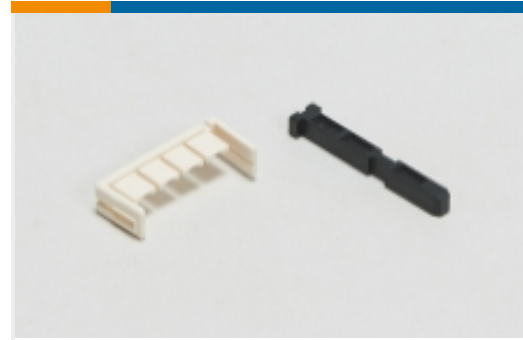
Rectangular Connector Adapters(7)



Rectangular Connector Hardware(1)



Rectangular Connector Housings(1)



Rectangular Connector Keying Plugs(3)



Rectangular Connector Locking(8)



Rectangular Power Connectors(672)

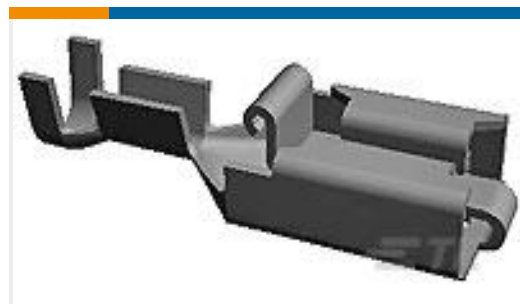
## Customers Also Bought



TE Part #3-641435-4  
04P MTA156 CONN ASSY ORNG



TE Part #3-640599-4  
04P MTA156 CONN ASSY 18AWG  
ORA



TE Part #880645-6  
PL REC 1.0-2.5MM2 0.40 X 52.32 PTPBR  
ORA



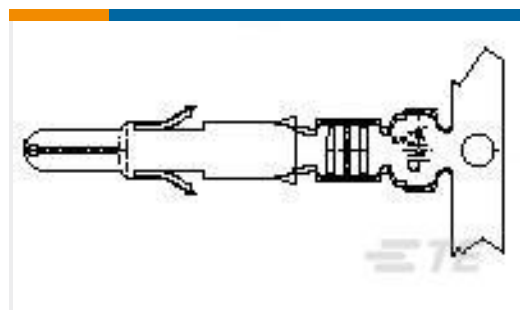
TE Part #2-2176056-8  
RLP73K 2B R13 5% 5K RL



TE Part #626328-2  
FF 250 RECEPTACLE 4.0-6.0 MM2  
TPBR



TE Part #880636-2  
FF 250 TAB 1.0-2.5 MM2 0.39 X 13.2  
TPBR



TE Part #881109-3  
U-M-N-L SPLIT PIN



TE Part #4-280050-2  
250 FASTON,FLAG,REC.,16-20 AWG,  
TPBR



TE Part #626328-1  
FF 250 RECEPTACLE 4.0-6.0 MM2 BR

## Documents



**Product Drawings**

**U-M-N-L SOCKET**

English

---

**CAD Files**

**3D PDF**

3D

**Customer View Model**

[ENG\\_CVM\\_CVM\\_881111-1\\_H.2d\\_dxf.zip](#)

English

**Customer View Model**

[ENG\\_CVM\\_CVM\\_881111-1\\_H.3d\\_igs.zip](#)

English

**Customer View Model**

[ENG\\_CVM\\_CVM\\_881111-1\\_H.3d\\_stp.zip](#)

English

By downloading the CAD file I accept and agree to the [Terms and Conditions](#) of use.

---

**Datasheets & Catalog Pages**

[2\\_PIECE\\_POWER\\_CONNECTORS\\_qrg\\_4-1773458-1](#)

English

---

**Product Specifications**

**Application Specification**

English

---

**Product Environmental Compliance**

**Product Compliance**

English

**Product Compliance**

English