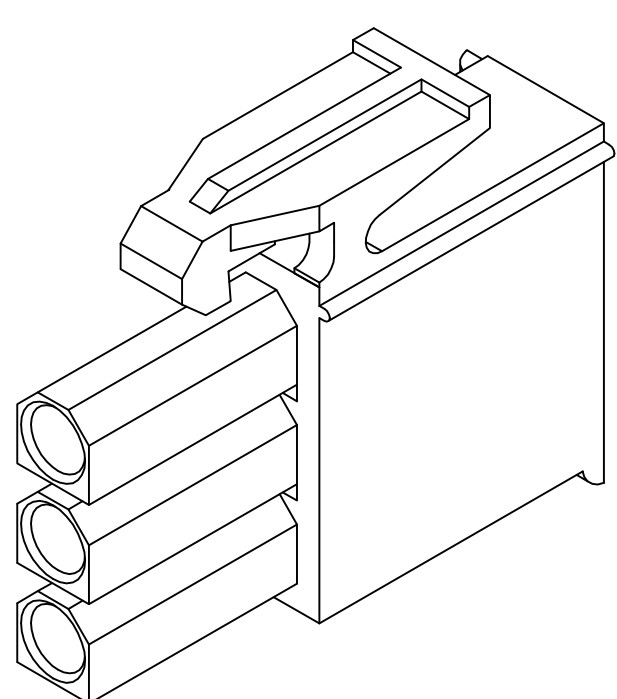
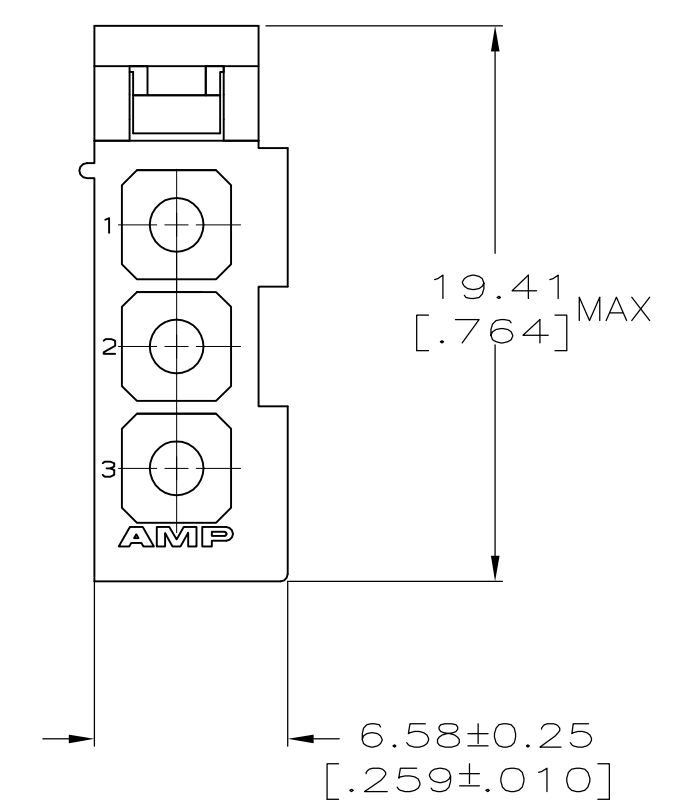
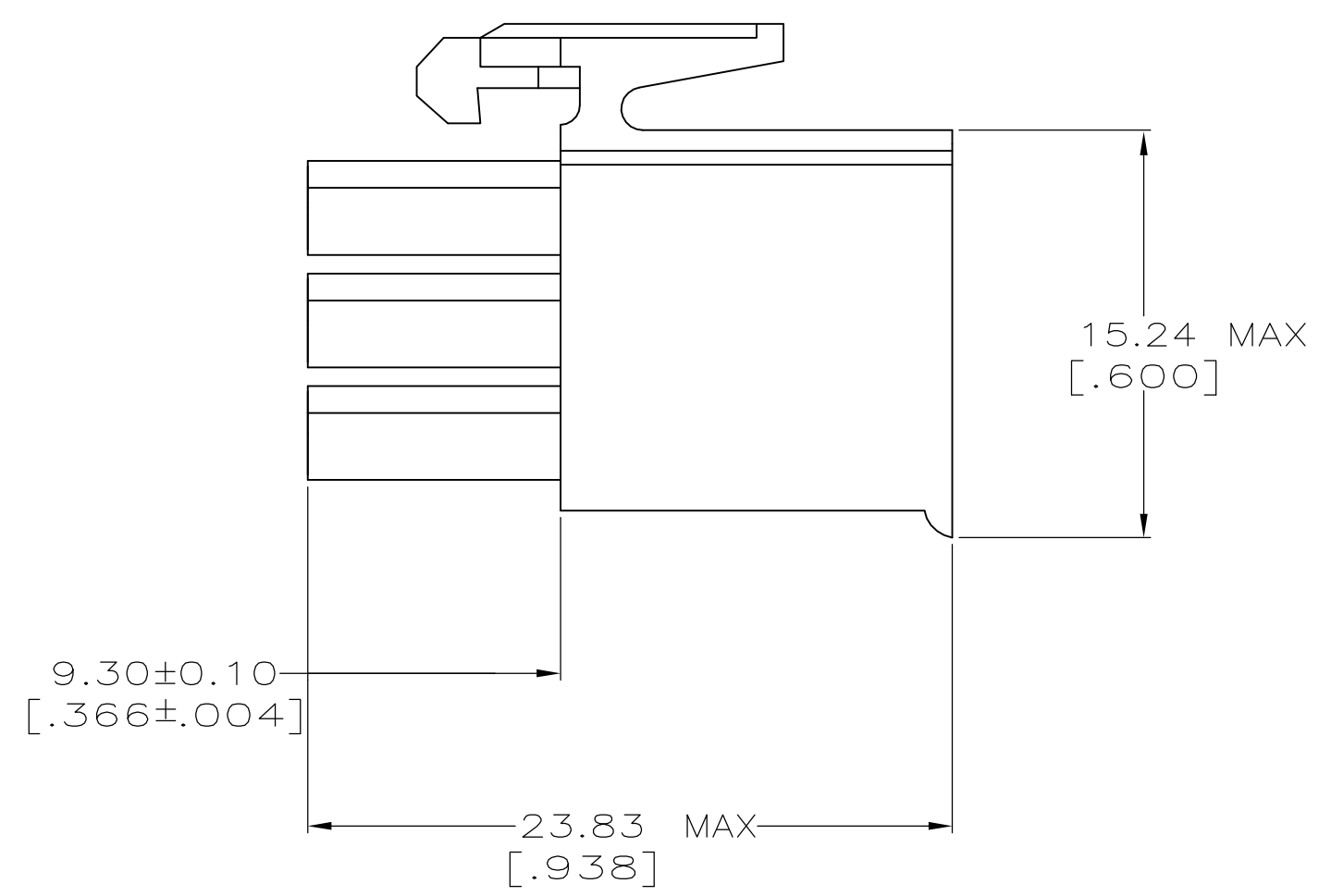
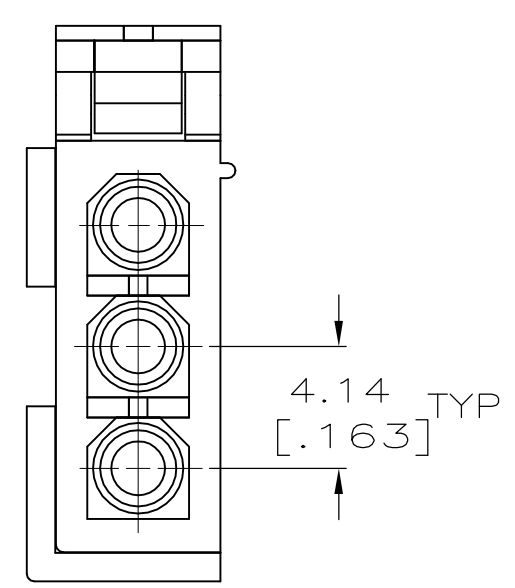


LOC	DIST	P	F	ZONE	LTR	REVISIONS		
						DESCRIPTION	DATE	APPD
CM	53				C	REVISED PER ECR-15-001266	02MAR15	SC KD

1. DIMENSIONS IN BRACKETS ARE IN INCHES.



3-DIMENSIONAL MODEL  
NTS

**METRIC**

		770847-1	
		PART NO	
DO NOT SCALE PRINT. UNLESS SPECIFIED		DR 5-29-91 T. BECK	
DIMENSIONS IN mm [INCHES]		CHK 5-29-91 R. SWING	
TOLERANCES ON :		APPD 5-29-91 L. PURSER	
2 PLC DEC ± -		APPD 5-29-91 L. PURSER	
3 PLC DEC ± 0.13 [.005]		PRODUCT SPEC -	
ANGLES ± -		APPLICATION SPEC -	
MATERIAL		WEIGHT -	
NYLON,UL 94V-0 WHITE		SIZE <b>C</b>	
FINISH -		CAGE CODE 00779	
		DRAWING NO 770847	
		SCALE 4:1	
		SHEET 10F 1	

**AMP** AMP INCORPORATED  
Harrisburg, Pa. 17105

NAME  
PLUG,3 CIRCUIT,  
MINI UNIVERSAL MATE-N-LOK™

CUSTOMER DRAWING