

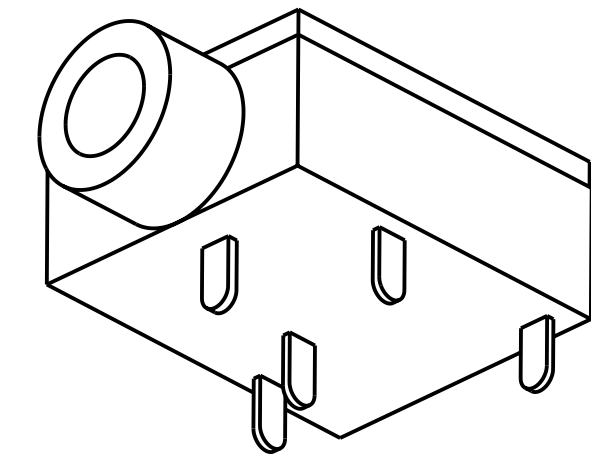
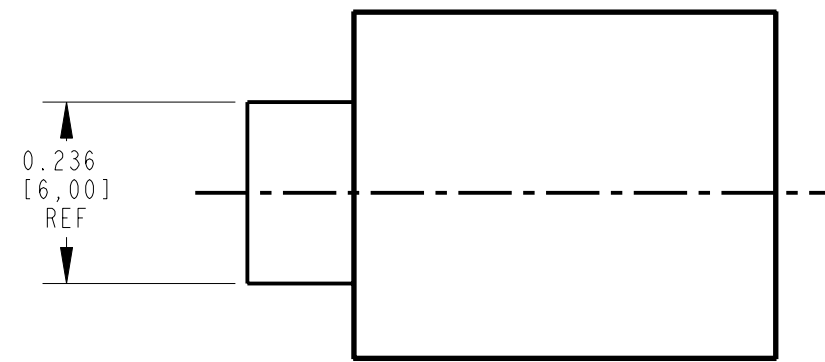
NOTES:

1. ELECTRICAL:
 CONTACT RESISTANCE: 20 MILLIOHMS MAX. INITIAL
 100 MILLIOHMS MAX. AFTER LIFE
 INSULATION RESISTANCE: 100 MEGAOHMS MIN.
 DIELECTRIC WITH STANDING VOLTAGE: 250 VAC.

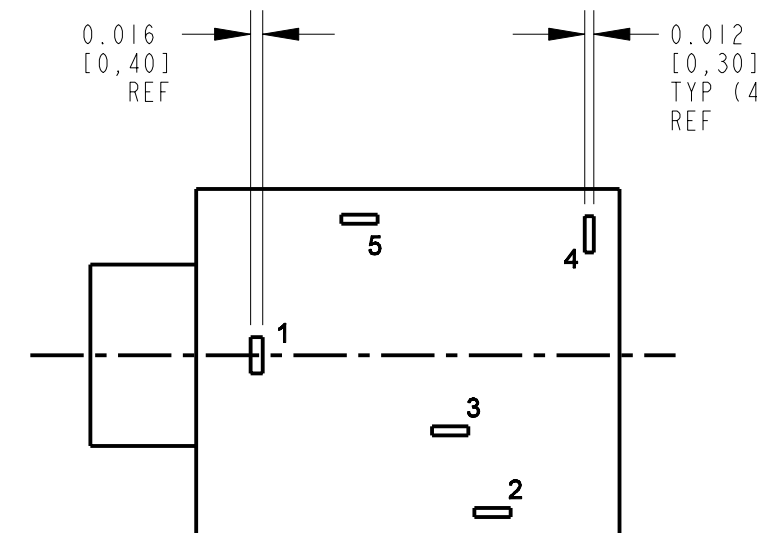
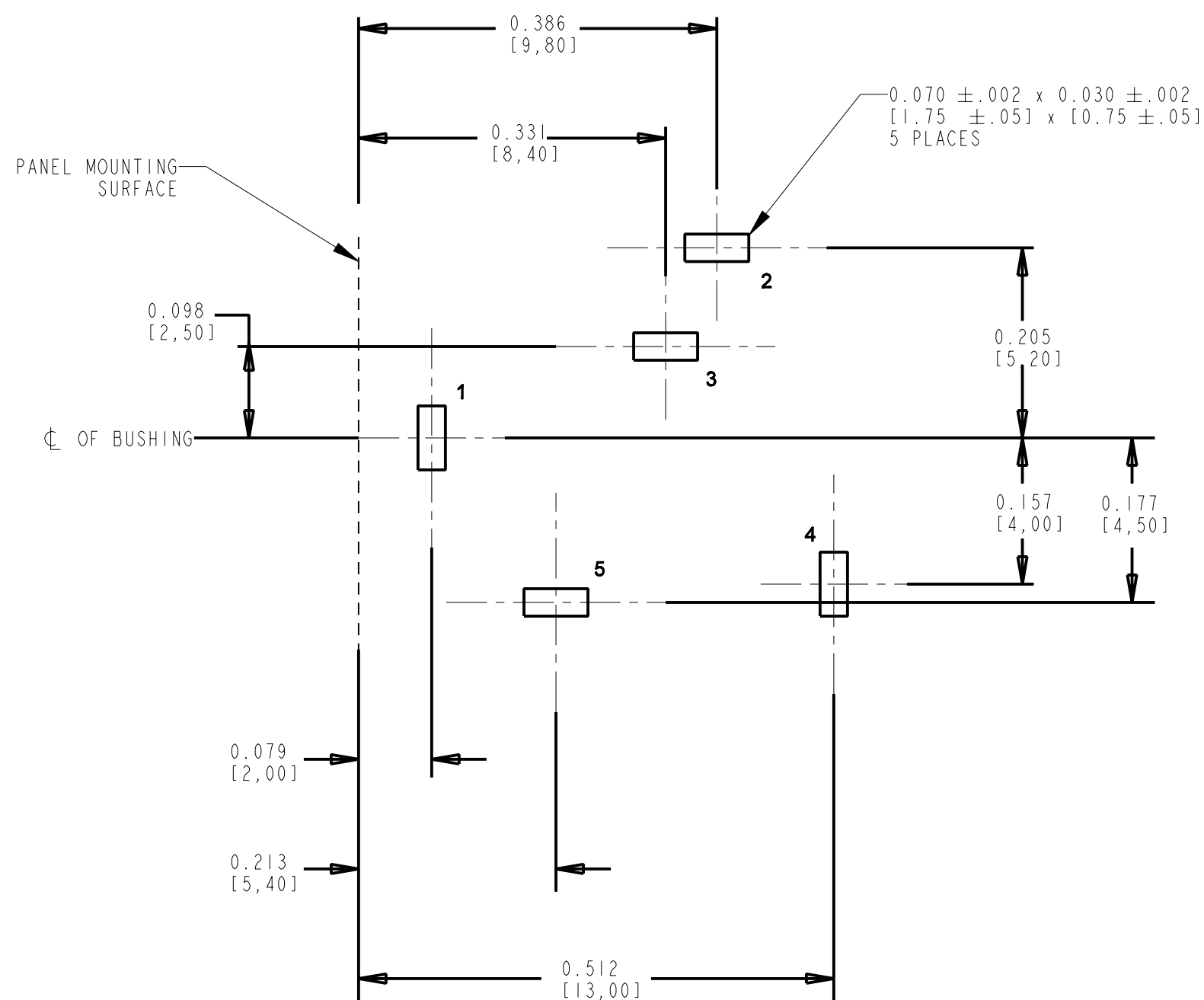
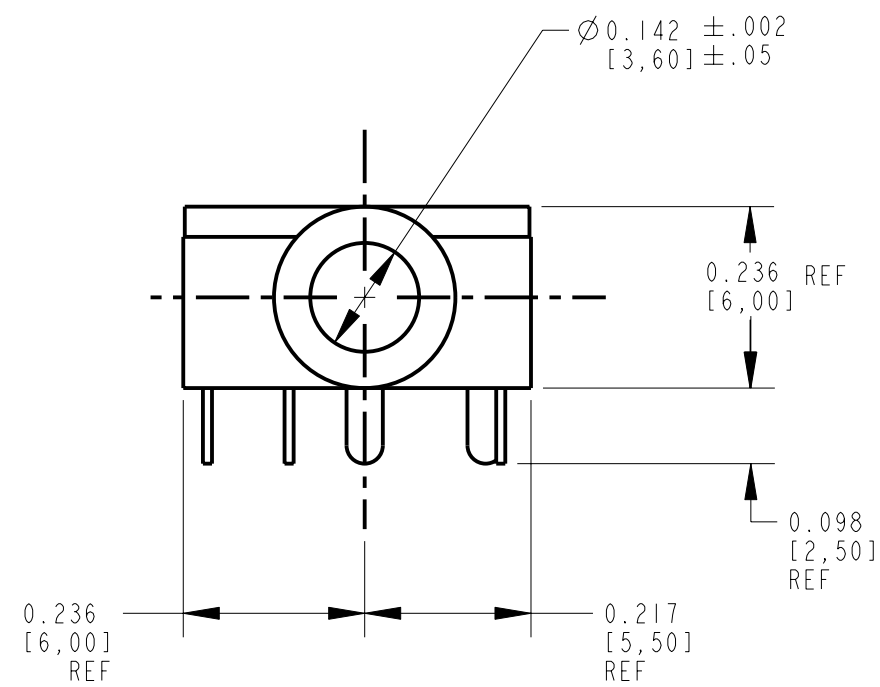
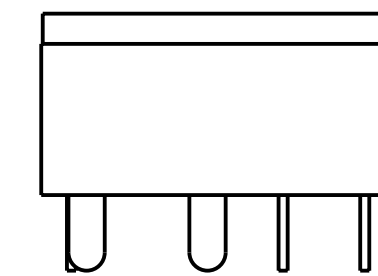
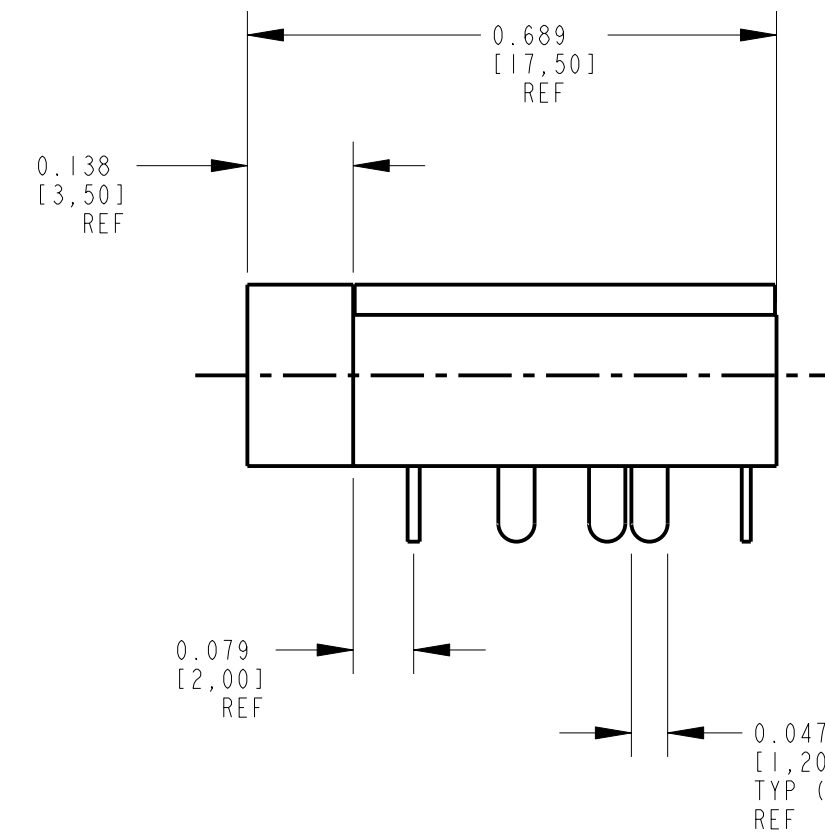
2. MECHANICAL:
 LIFE: 5000 CYCLES
 INSERTION FORCE: 0,4 KG TO 1,6 KG
 WITHDRAWAL FORCE: 0,4 KG TO 1,4 KG

3. MATERIALS:
 HOUSING: PBT BLACK, UL94-V0
 BUSHING: BRASS, NICKEL PLATED
 SPRINGS: COPPER ALLOY, SILVER PLATED
 COVER: POLYCARBONATE, CLEAR, UL94-V0

4. THIS PRODUCT IS RoHS COMPLIANT.



SCALE 4:1



PART NO.	SCHEMATIC
35RAPC3BHN3	
35RAPC4BHN3	
35RAPC2BHN3	
35RAPC2AHN3	

CUSTOMER DRAWING

REVISIONS				STAR SYMBOL DENOTES CRITICAL DIMENSION				THIS DRAWING DESCRIBES A DESIGN CONSIDERED PROPRIETARY IN NATURE, DEVELOPED AND MANUFACTURED BY SWITCHCRAFT INC. AND IS RELEASED ON A CONFIDENTIAL BASIS FOR IDENTIFICATION PURPOSES ONLY.									
D	27551	8-4-15	TO	TJK	SIZE	WIDTH	MULT	LBS/M	TEMPER	FINISH			MATERIAL				
C	26658	11-10-10	TO	TJK	UNLESS OTHERWISE SPECIFIED				SPEC No.		FIRST USED ON		SCALE	SPEC No.			
B	26553	6-8-10	TJK	TJK	1. ALL DIMENSIONS IN INCHES				DATE DRAWN		BY	CHKD	APVD				
A	RELEASE TO MFG. ECO #19561		5-4-95	SG	- TWO PLACE DECIMALS ±0.01				4-May-95	SG	5-8-95	5-8-95	SHEET		OF		
REV	ECO NUMBER	DATE	BY	APVD	- THREE PALCE DECIMALS ±0.005				NAME					REV			
								- FRACTIONAL DIMENSIONS ±1/64				3.5 MM HORIZONTAL, NON THREADED BUSHING MONO/STEREO JACK, RoHS					35RAPC_HN3
								- ANGLES ±1°				PART No.					D
								- ALL DIA. CONCENTRIC WITHIN 0.005 T.I.R.				DO NOT SCALE DRAWING					

RECOMMENDED PC BOARD
 COMPONENT SIDE