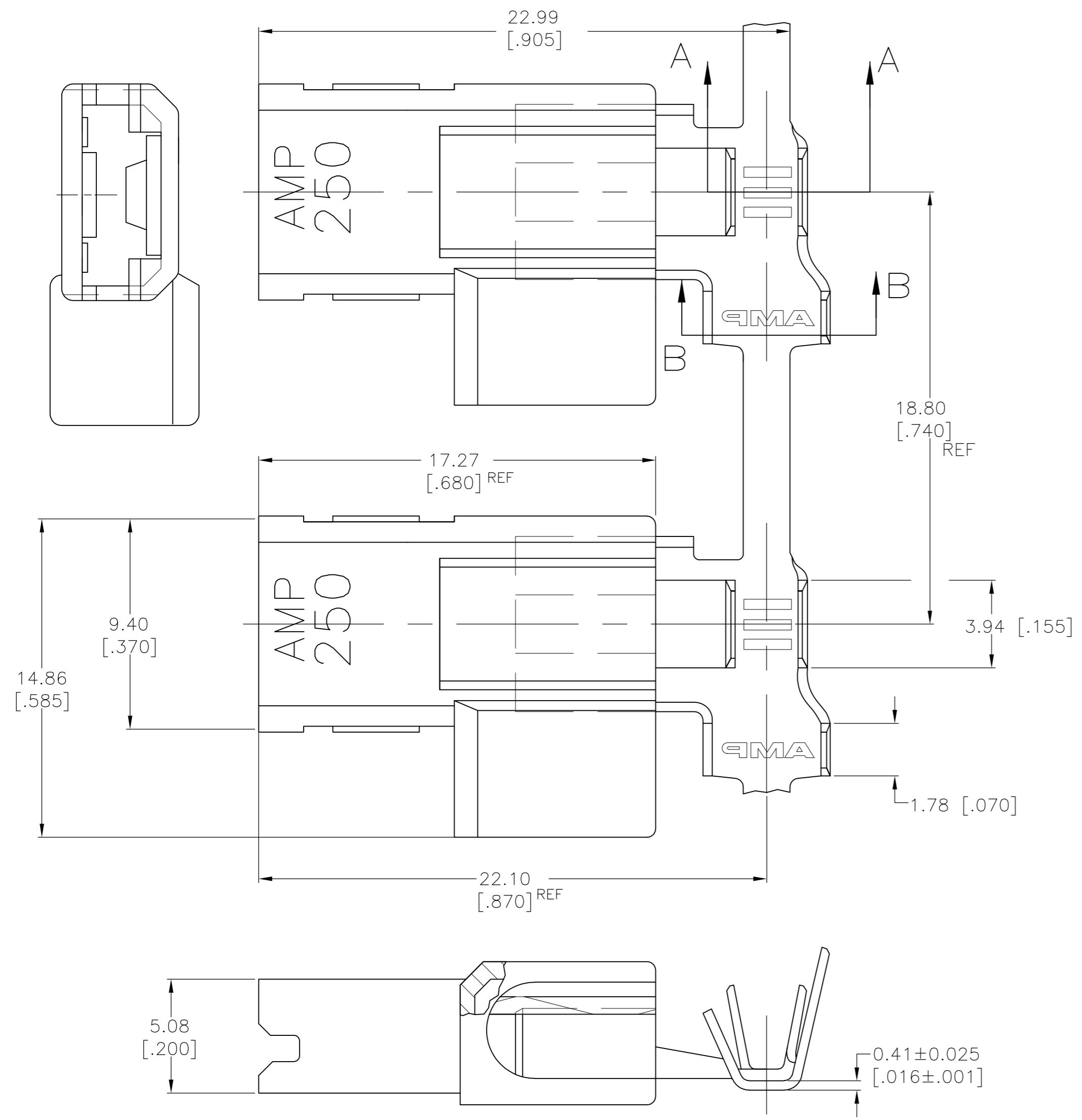
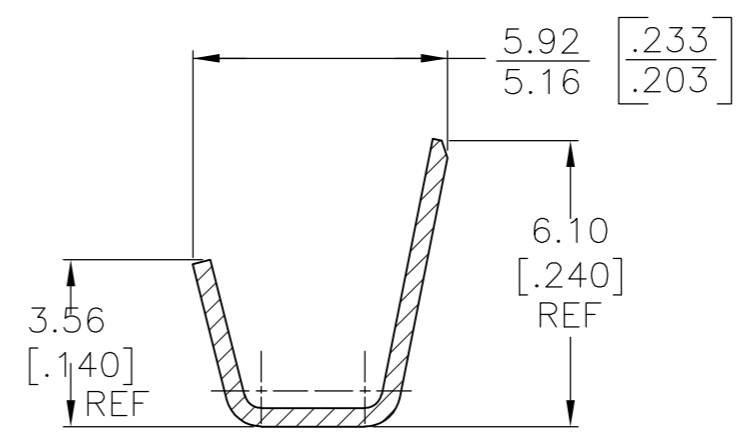


THIS DRAWING IS UNPUBLISHED. RELEASED FOR PUBLICATION  
 © COPYRIGHT BY TYCO ELECTRONICS CORPORATION. ALL RIGHTS RESERVED.

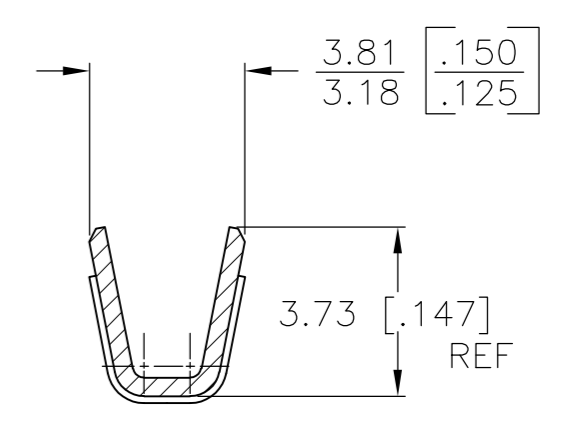
LOC		DIST		REVISIONS			
P	LTR	DESCRIPTION	DATE	DWN	APVD		
	A1	REVISED PER ECR-10-005376	11MAR10	JR	GP		



- 1 BUDGET FLAG FASTON TERMINALS, BASE P/N 63559, ARE USED IN THIS PRODUCT.
- 2 PENDING UL & CSA APPROVALS FOR WIRE SIZES: #18, #16, #14 AWG STRANDED WIRE ONLY.
- 3 INSULATION RANGE IS 2.79-4.06 [.110-.160] DIA.
- △4 PRELIMINARY - NOT FOR PRODUCTION.
- △5 PRE-PRODUCTION - FASR REQUIRED.



SECTION B-B



SECTION A-A

NYLON 4/6 - BLACK	TIN PLATED - 4M BRASS	1969283-2	△5
	PLAIN - 4M BRASS	1969283-1	△4
HOUSING MATERIAL / COLOR	TERMINAL FINISH - MATERIAL	PART NO	

THIS DRAWING IS A CONTROLLED DOCUMENT.		DWN 08JUN2009 RAGHAVENDRA	Tyco Electronics Corporation Harrisburg, PA 17105-3608	
DIMENSIONS: INCHES	TOLERANCES UNLESS OTHERWISE SPECIFIED:	CHK 08JUN2009 PORTA GARY	NAME -	
	0 PLC ± -	APVD 08JUN2009 PORTA GARY	PRODUCT SPEC -	
	1 PLC ± -	108-1285	APPLICATION SPEC -	
	2 PLC ± -	114-2124	SIZE	RESTRICTED TO
	3 PLC ± 0.25 [.010]	WEIGHT -	A2 00779	1 of 1
	4 PLC ± -	CUSTOMER DRAWING	C=1969283	REV A1
	ANGLES ± -		SCALE 6:1	
MATERIAL SEE TABLE	FINISH SEE TABLE			

1969283