

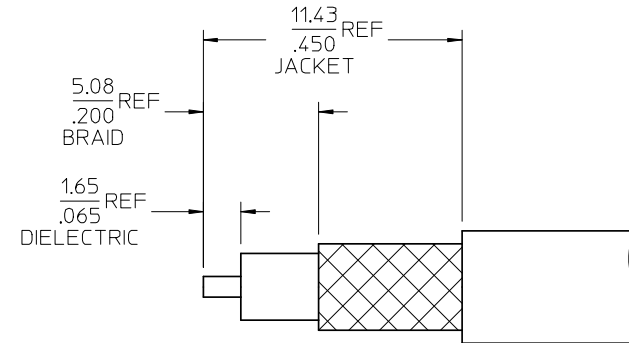
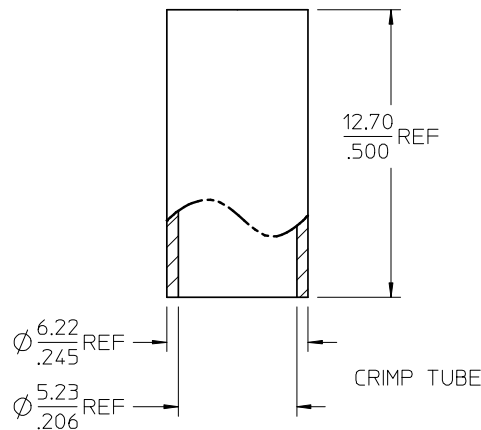
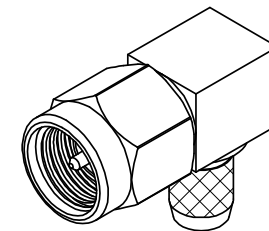
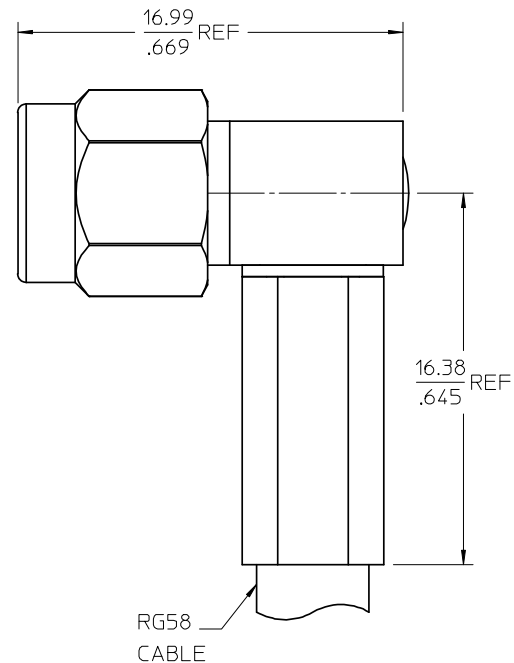
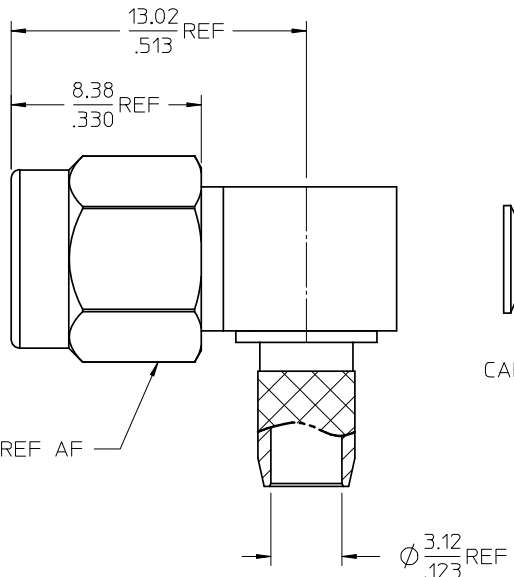
MATERIALS AND FINISHES

BODY, CRIMP TUBE, CAP BRASS
PLATED GOLD

CENTER CONTACT PHOSPHOR BRONZE
PLATED GOLD

INSULATOR TEFLON

COUPLING NUT ST. STEEL
PLATED GOLD



PART # 73251-2340

RECOMMENDED STRIPPING DIMENSION
CRIMP HEX SIZE 4.52(.178)

MIL-STD-348A, FIG. 310-1	INTERFACE
SPECIFICATION	DESCRIPTION

CHG: NEW RELEASE EC NO: URF-2008-0370 DRW:SSHAH 2008/01/18 CHKD:ROBERTSON 2008/01/18 APPR:JWENER 2008/01/18	QUALITY SYMBOLS ▽=0 ▽=0	GENERAL TOLERANCES (UNLESS SPECIFIED)		DIMENSION STYLE MM/IN	SCALE	DESIGN UNITS METRIC	THIRD ANGLE PROJECTION
		4 PLACES ± --- ± --- 3 PLACES ± --- ± --- 2 PLACES ± --- ± --- 1 PLACE ± --- ± ---	mm INCH	DRAWN BY DATE SSS 2007/01/18	TITLE SMA PLUG, R/A, RG58 50 OHMS SMA-PC/RA		
		ANGULAR ± 2 °	CHECKED BY DATE AZR 2007/01/18	APPROVED BY DATE JDW 2007/01/18	MOLEX INCORPORATED		
		DRAFT WHERE APPLICABLE MUST REMAIN WITHIN DIMENSIONS	MATERIAL NO. 732512340	DOCUMENT NO. SD-73251-234	SHEET NO. 1 OF 1		

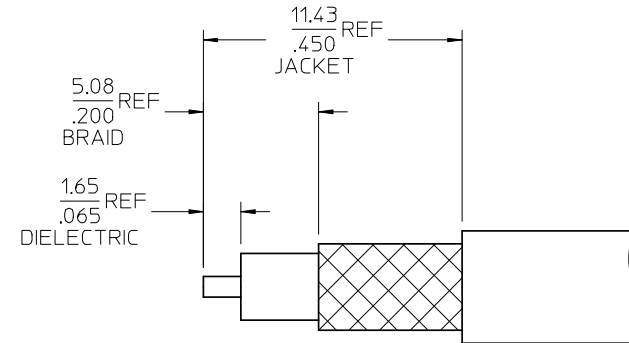
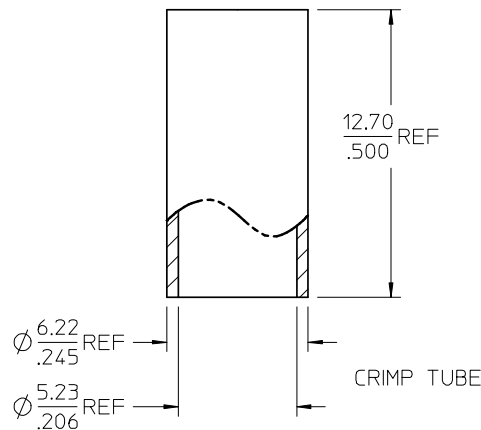
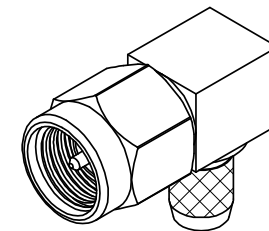
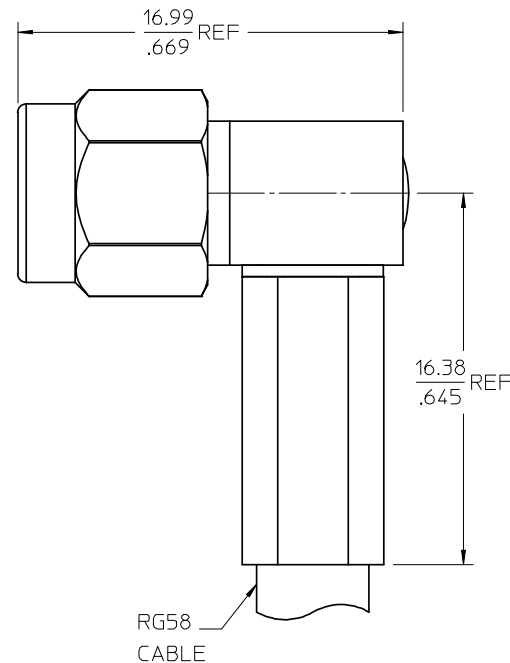
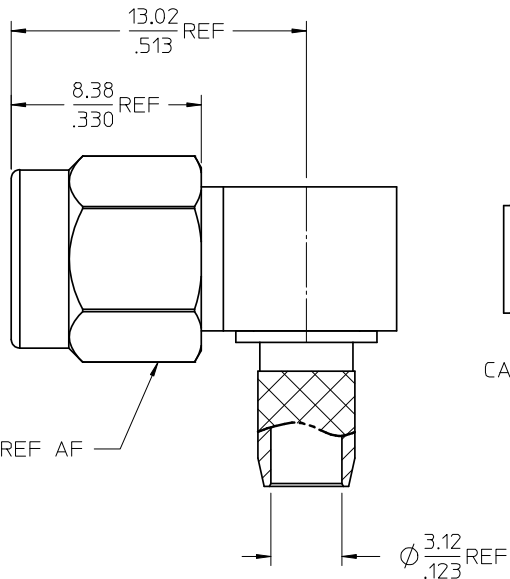
MATERIALS AND FINISHES

BODY, CRIMP TUBE, CAP BRASS
PLATED GOLD

CENTER CONTACT PHOSPHOR BRONZE
PLATED GOLD

INSULATOR TEFLON

COUPLING NUT ST. STEEL
PLATED GOLD



PART # 73251-2340

RECOMMENDED STRIPPING DIMENSION
CRIMP HEX SIZE 4.52(.178)

MIL-STD-348A, FIG. 310-1	INTERFACE
SPECIFICATION	DESCRIPTION

CHG: NEW RELEASE EC NO: URF-2008-0370 DRW:SSHAH 2008/01/18 CHKD:ROBERTSON 2008/01/18 APPR:JWENER 2008/01/18	QUALITY SYMBOLS ▽=0 ▽=0	GENERAL TOLERANCES (UNLESS SPECIFIED)		DIMENSION STYLE MM/IN	SCALE	DESIGN UNITS METRIC	THIRD ANGLE PROJECTION
		4 PLACES ± --- ± --- 3 PLACES ± --- ± --- 2 PLACES ± --- ± --- 1 PLACE ± --- ± ---	mm INCH	DRAWN BY DATE SSS 2007/01/18	TITLE SMA PLUG, R/A, RG58 50 OHMS SMA-PC/RA		
		ANGULAR ± 2 °	CHECKED BY DATE AZR 2007/01/18	APPROVED BY DATE JDW 2007/01/18	MOLEX INCORPORATED		
		DRAFT WHERE APPLICABLE MUST REMAIN WITHIN DIMENSIONS	MATERIAL NO. 732512340	DOCUMENT NO. SD-73251-234	SHEET NO. 1 OF 1		