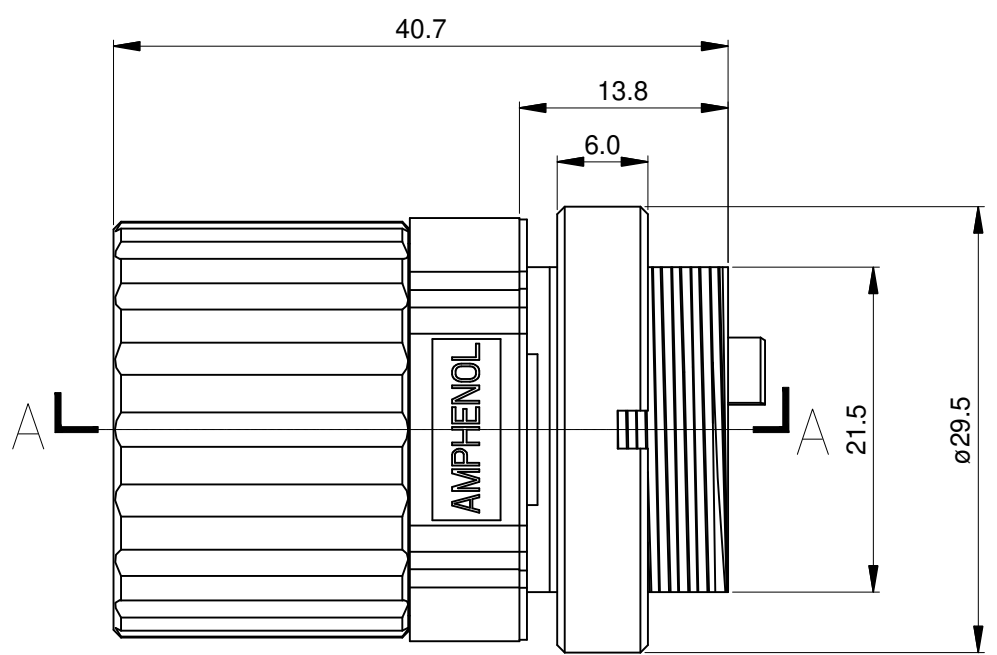
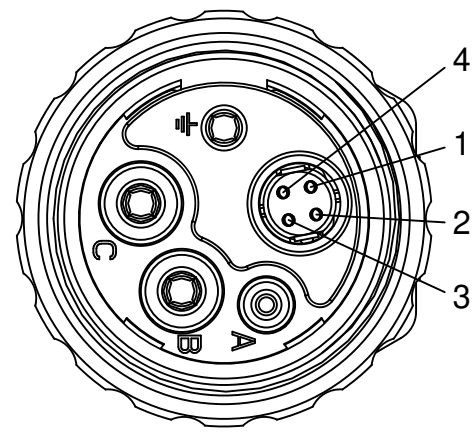


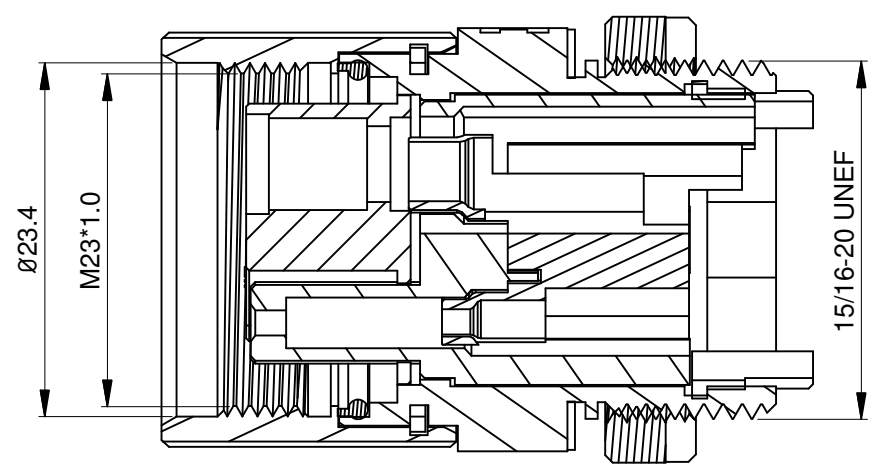
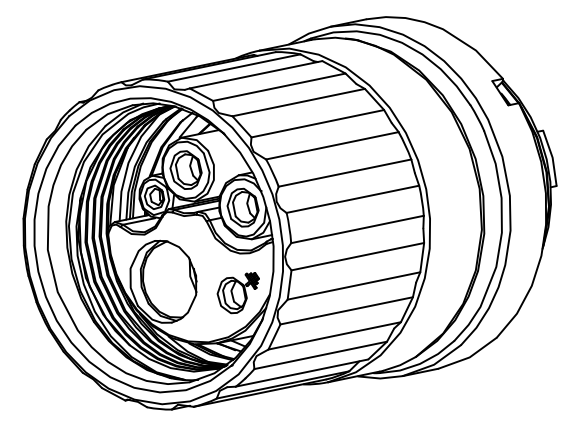
REVISIONS					
REV	ECO	DESCRIPTION	DATE	BY	APPR
B1	-	RELEASE NEW DWG FORMAT	05/10/14	DRACK	
B2	-	ADDED PIN NUMBERS	08DEC15	MRF	



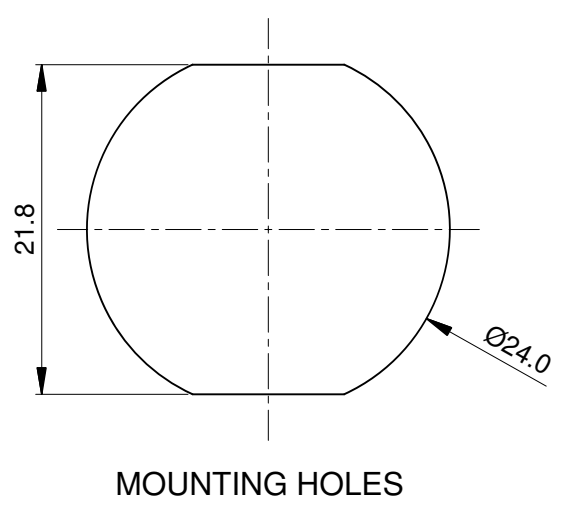
NOTES: UNLESS OTHERWISE SPECIFIED

- MATERIAL:
  - INSULATION INSERT: PBT, UL94 V0
  - SEAL: VITON
  - HOUSING BODY: ZINC DIE CAST, NICKEL PLATED
  - COUPLING NUT: COPPER ALLOY, NICKEL PLATED
- SPECIFICATIONS:
  - 2.1 CURRENT RATING: SIGNAL: 1 AMPS  
POWER: 18 AMPS  
QUAD ELEMENT: 0.5 AMPS
  - 2.2 VOLTAGE RATING: SIGNAL: 850V AC/DC  
POWER: 850V AC/DC  
QUAD ELEMENT: 30V AC/DC
  - 2.3 OPERATING TEMPERATURE: -20°C TO +130°C
  - 2.4 DIELECTRIC WITHSTANDING VOLTAGE: LESS THAN 2 MILLIAMPS CURRENT LEAKAGE @ SIGNAL: 1500 VOLTS AC.  
POWER: 6000 VOLTS AC.  
QUAD ELEMENT: 500 VOLTS AC.
  - 2.5 DEGREE OF PROTECTION: IP67 ( MATED CONDITION )
  - 2.6 DEGREE OF POLLUTION: 3 PER UL840
  - 2.7 OVERVOLTAGE CATEGORY: III PER UL840
  - 2.8 MATING CYCLE DURABILITY: >500 CYCLES
  - 2.9 RoHS COMPLIANT

3. ALL DIMENSIONS ARE FOR REFERENCE USE ONLY.



SECTION A-A



TITLE: M23 PLUG, STRAIGHT, PANEL MOUNT, HYBRID, THREADED  
 DWG NO: MB1WSN8H00  
 REV: B2  
 SH: 1  
 OF: 1

QUANTITY	SEE PART NUMBER	DESCRIPTION	ITEM
	CHART		
	PART NUMBER		
<b>MATERIALS LIST</b>			
UNLESS OTHERWISE SPECIFIED 1) All dimensions are in metric (mm). 2) Tolerances are as follows: 1 PL DEC ±0.30 2 PL DEC ±0.15 3 PL DEC ±0.08 3) Note reference =		SIGNATURES DRAWN: Drack CHECKED: ENGINEER: APPROVAL:	DATE 05/10/14
MATERIAL SPECIFICATIONS:		<b>Amphenol</b> Sine Systems - www.amphenol-sine.com 44724 Morley Drive Clinton Township, MI 48036	
PROCESS SPECIFICATIONS:		CUSTOMER: THIS DRAWING IS SUPPLIED FOR INFORMATION ONLY. DESIGN FEATURES, SPECIFICATIONS AND PERFORMANCE DATA SHOWN HEREON ARE THE PROPERTY OF THE AMPHENOL CORPORATION. NO RIGHTS OF REPRODUCTION ARE IMPLIED. ALL DIMENSIONS ARE SUBJECT TO NORMAL MANUFACTURING VARIATIONS.	
NEXT ASSY:		SIZE: <b>B C-</b>	REVISION: <b>B2</b>
		SCALE: NONE	SHEET 1 OF 1

M23, PLUG, ST, PANEL MOUNT, HYBRID, THRD'D

DWG NO: MB1WSN8H00