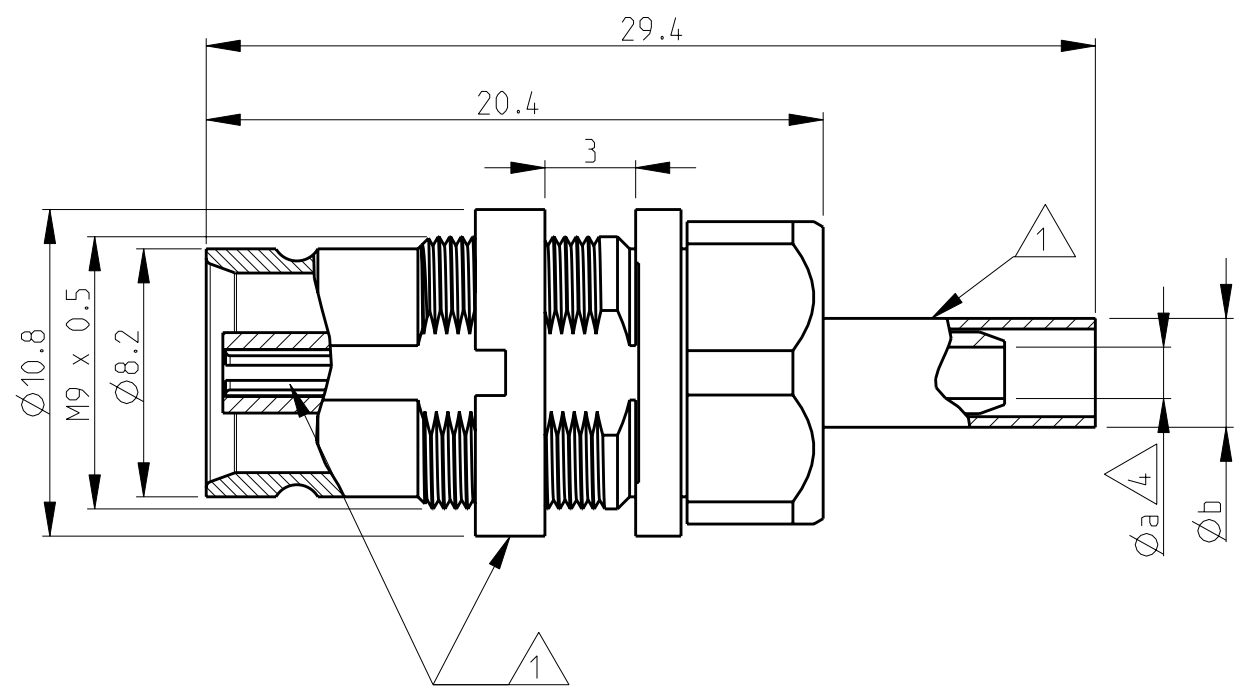


THIS DRAWING IS UNPUBLISHED. RELEASED FOR PUBLICATION 2000
 © COPYRIGHT 2000 BY TYCO ELECTRONICS CORPORATION. ALL RIGHTS RESERVED.

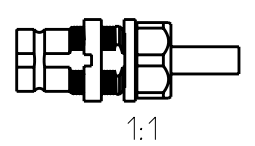
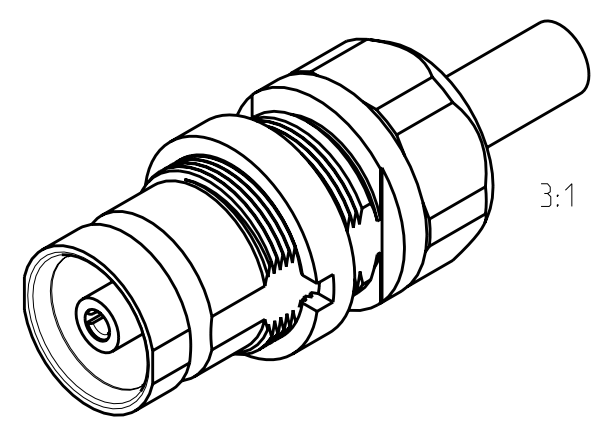
LOC	DIST	REVISIONS			
P	LTR	DESCRIPTION	DATE	DWN	APVD
IS	-	A	-	5/04/01	BL KM
		A1	P/N Correction G76A	11MAY2005	LDU RL
		B	ECR-07-030562	18DEC2007	MS DB



Cross reference tabel

Old part number	TE part number	Description	Material	Plating	Øa	Øb	Cable type
V23612-A602-G41	2-1393680-2	Outer conductor	Brass	min 0.1µm Au over min 2µm NiP	1.7	3.6	RG179 B/U
		Dielectric	PEEK/PC	-			
		Center conductor	CuBe/Bronze	min 0.1µm Au over min 2µm NiP			
V23612-A602-G41A	2-1393680-3	Outer conductor	Brass	min 0.1µm Au over min 2µm NiP	1.7	3.6	RG179 B/U
5	5	Dielectric	PEEK/PC	-			
		Center conductor	CuBe/Bronze	min 0.1µm Au over min 2µm NiP			
V23612-A602-G62	2-1393680-4	Outer conductor	Brass	min 0.1µm Au over min 2µm NiP	2.15	5.2	02XSC(mS) 6Y 0.45/2.0
		Dielectric	PEEK/PC	-			
		Center conductor	CuBe/Bronze	min 0.1µm Au over min 2µm NiP			
V23612-A602-G73	2-1393680-5	Outer conductor	Brass	min 0.1µm Au over min 2µm NiP	1.7	4.3	02XSCC(St) 6Y 0.37/1.6
		Dielectric	PEEK/PC	-			
		Center conductor	CuBe/Bronze	min 0.1µm Au over min 2µm NiP			
V23612-A602-G76	1393672-6	Outer conductor	Brass	min 0.1µm Au over min 2µm NiP	2.15	5.2	02Y(St)CY 0.45/2.0
		Dielectric	PEEK/PC	-			
		Center conductor	CuBe/Bronze	min 0.1µm Au over min 2µm NiP			
V23612-A602-G76A	2-1393680-6	Outer conductor	Brass	min 0.1µm Au over min 2µm NiP	2.15	5.2	02Y(St)CY 0.45/2.0
5	5	Dielectric	PEEK/PC	-			
		Center conductor	CuBe/Bronze	min 0.1µm Au over min 2µm NiP			

- 5 Packed in tray
- 4 Minimum dimension.
- 3) Standard: according to CECC 22240 and DIN 47295.
- 2) All dimensions are maximum dimensions unless otherwise specified.
- 1 Supplied as loose part.



<small>THIS DRAWING IS A CONTROLLED DOCUMENT FOR TYCO ELECTRONICS CORPORATION IT IS SUBJECT TO CHANGE AND THE CONTROLLING ENGINEERING ORGANIZATION SHOULD BE CONTACTED FOR THE LATEST REVISION.</small>		DWN 28FEB2001 B. Lenvain		Tyco Electronics CH - Switzerland - Lugano	
DIMENSIONS: mm		TOLERANCES UNLESS OTHERWISE SPECIFIED: 0 PLC ± 1 PLC ± 2 PLC ± 3 PLC ± 4 PLC ± ANGLES ±		CHK 05APR2001 K. Mattheeuws APVD 05APR2001 R. Leeman	
MATERIAL -		FINISH -		NAME Cable jack 1.6/5.6 (75 ohm)	
PRODUCT SPEC -		APPLICATION SPEC 114-71019		SIZE A3 CAGE CODE 00779 DRAWING NO G-2-1393680-2 RESTRICTED TO -	
WEIGHT -		CUSTOMER DRAWING		SCALE 4:1 SHEET 1 OF 1 REV B	