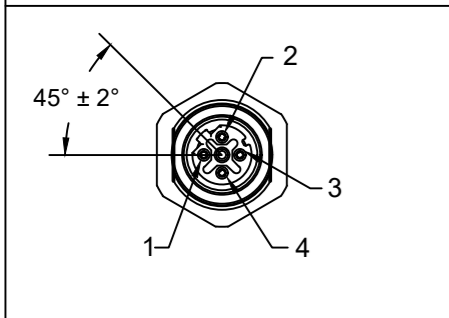


FRONT VIEW-FEMALE

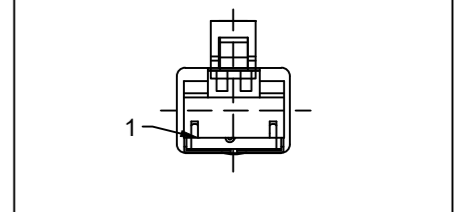


- 1-WHITE/ORANGE
- 2-WHITE/GREEN
- 3-ORANGE
- 4-GREEN

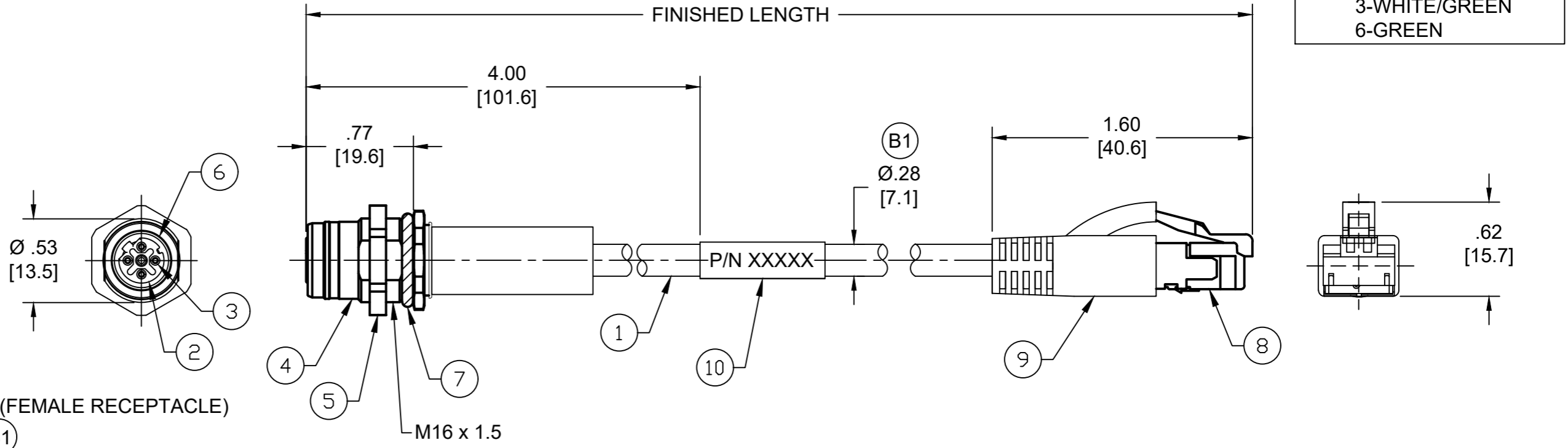
- NOTES:
1. MATERIAL: AS NOTED
 2. FINISH: AS NOTED
 3. ELECTRICAL:
VOLTAGE: 125V AC/DC (B1)
CURRENT: 1.5A
 4. TEMP RATING: -20°TO +75°C (B1)
 5. PROTECTION: IP67 WHEN MATED (FEMALE RECEPTACLE)
 6. UL RECOGNIZED FILE: E200650 (B1)
 7. ALL DIMENSIONS ARE FOR REFERENCE UNLESS TOLERANCED OR NOTED OTHERWISE

MATERIAL NUMBER	ENGINEERING NUMBER	FINISHED LENGTH
1201080348	ERWPAU7006M003	0.3M [1FT]
1201080313	ERWPAU7006M020	2M[6FT 7 IN]
1201080372	ERWPAU7006M050	5M[16FT 5 IN]

FRONT VIEW - MALE RJ45

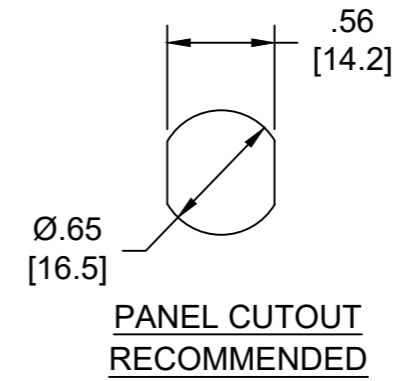


- 1-WHITE/ORANGE
- 2-ORANGE
- 3-WHITE/GREEN
- 6-GREEN



ITEM	DESCRIPTION	MATERIAL	FINISH
10	WRAP LABEL	VINYL	BLACK/WHITE
9	RJ45 BOOT, HOODED	PVC	BLACK
8	RJ45 PLUG	POLYCARBONATE	TRANSPARENT
7	GASKET	FPM	RED
6	O-RING	NITRILE	BLACK
5	PANEL NUT	BRASS	NICKEL PLATED
4	RECEPTACLE SHELL	BRASS	NICKEL PLATED
3	CONTACT SOCKET	COPPER ALLOY	GOLD/NICKEL PLATED
2	FEMALE INSERT	PUR	BLACK
1	CABLE, ETHERNET, 24 AWG	TPE JACKET	BLUE

PART NUMBER LEGEND
ERWPAU7006M003
 ↓
 FINISHED LENGTH
 M003 - 0.3 METER
 M010 - 1 METER
 M200 - 20 METER



CABLE LENGTH TOLERANCES

<.3M [1FT]:	+19mm-0 [+ .75in-0]
.3 - .9M [1 - 3FT]:	+44.5mm-0 [+1.75in-0]
.9 - 1.8M [3 - 6FT]:	+55.6mm-0 [+2.19in-0]
1.8 - 3.7M [6 - 12FT]:	+88.9mm-0 [+3.50in-0]
3.7 - 7.3M [12 - 24FT]:	+165.1mm-0 [+6.50in-0]
7.3-14.6M [24 - 48FT]:	+317.5mm-0 [+12.50in-0]
14.6 - 30.5M [48-100FT]:	+622.3mm-0 [+24.50in-0]
OVER 30M [100FT]:	+2% OF FINISHED LENGTH

FUNCTIONAL SYMBOLS F=0 E=0 P=0	THIS DRAWING CONTAINS INFORMATION THAT IS PROPRIETARY TO MOLEX ELECTRONIC TECHNOLOGIES, LLC AND SHOULD NOT BE USED WITHOUT WRITTEN PERMISSION		 MIC D-CODE / ETHERNET 4P FR M12 REC/RJ45 ST #24-2P BLUE TPE CAT5E	
	DIMENSION UNITS INCH/MM	SCALE NTS		
	GENERAL TOLERANCES (UNLESS SPECIFIED)		EC NO: 703079	
	4 PLACES ±--- ±---	mm INCH	DRWN: ABENJAMINLW 2021/11/03	2022/04/12
3 PLACES ±--- ±---		CHK'D: RSTONE	2022/04/18	
2 PLACES ±--- ±---		APPR: BWOODMAN		
1 PLACE ±--- ±---		INITIAL REVISION:		
0 PLACES ±--- ±---		DRWN: BARDEN 2013/04/17	2013/04/18	
ANGULAR TOL ± --- °		APPR: JFMURPHY		
DRAFT WHERE APPLICABLE MUST REMAIN WITHIN DIMENSIONS	THIRD ANGLE PROJECTION	DRAWING	SERIES	
		B-SIZE	120108	
		MATERIAL NUMBER	CUSTOMER	
		SEE CHART	GENERAL MARKET	
		DOCUMENT NUMBER	DOC TYPE/DOC PART/REVISION	
		SD-120108-055	PSD 001 B1	
		SHEET NUMBER		
		1 OF 1		