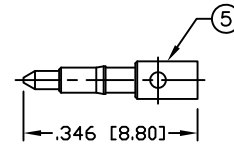
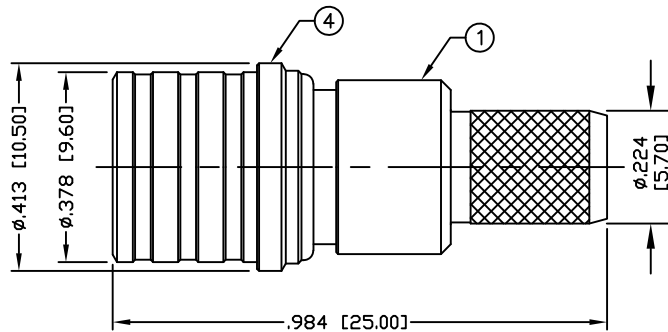


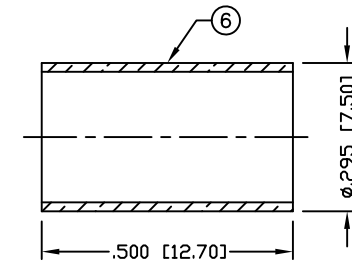
PART NO.

ROA-5000-X

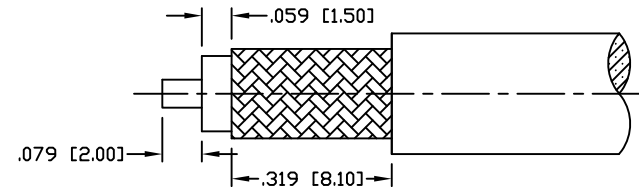
REV	DESCRIPTION	DWN	DATE	APPROVED
C	UPDATED CONNECTOR DESIGN & DWG FORMAT	CZ	06/07/21	JDMc



RECOMMENDED SOLDER
OPTIONAL CRIMP DIE: .052"



RECOMMENDED CRIMP DIE: .255"



RECOMMENDED STRIPING DIMENSIONS

SPECIFICATIONS:

IMPEDANCE: 50 Ohms
 FREQUENCY RANGE: 0-6 GHz
 INSULATION RESISTANCE: 5k M Ohms min.
 TEMPERATURE RANGE: -65°C TO 165°C
 0-4 GHz RL=-24dB
 4-6 GHz RL=-20dB
 TEST RESULTS USING LMR-240 WITH 2 QMA'S & 2 ADAPTERS
 FOR RG-8/X, BELDEN 9258, MAXRAD M8X-100 &
 M8X-1000, MICRO 8/U, REMEE 1600, SAXTON 8315 &
 TIMES LMR-240 & LMR-240 ULTRAFLEX CABLE

#	DESCRIPTION	QTY	MATERIAL	FINISH
6	FERRULE	1	COPPER	CuSnZn
5	PIN	1	BRASS	GOLD
4	SHELL	1	BRASS	CuSnZn
3	INSULATOR	1	PTFE	NATURAL
2	GROUNDING	1	PHOSPHOR BRONZE	CuSnZn
1	BODY	1	BRASS	CuSnZn

CUSTOMER
OUTLINE DRAWING

ALL DIMENSIONS
ARE REFERENCE ONLY

UNLESS OTHERWISE SPECIFIED:
DIMENSIONS ARE IN INCHES
AND [MILLIMETERS]

DRAWN
C. ZUÑIGA 06/07/21

CHECKED

ORJ DRAWN
C. ZUÑIGA 03/09/04

RoHS
COMPLIANT

PROPRIETARY AND CONFIDENTIAL
 THIS DRAWING CONTAINS
 INFORMATION PROPRIETARY TO
 RF INDUSTRIES, ANY
 UNAUTHORIZED USE OF THIS
 DRAWING IS EXPRESSLY
 PROHIBITED WITHOUT WRITTEN
 PERMISSION FROM RF
 INDUSTRIES. ANY VIOLATION IS
 PUNISHABLE UNDER U.S.
 COPYRIGHT LAWS.

RFconnectors
DIVISION OF RF INDUSTRIES, LTD.

RFINDUSTRIES.COM
 7610 MIRAMAR RD.
 SAN DIEGO, CA 92126
 (858) 549-6340
 (858) 549-6345 FAX

QMA PLUG CRIMP

DWG # **RQA-5000-X**

CABLE GROUP	CONTROL #	SCALE	FORMAT	SHEET	REVISION
X	001560	NTS	A	1 OF 1	C