

Colors: Cool White, Neutral White, Warm White

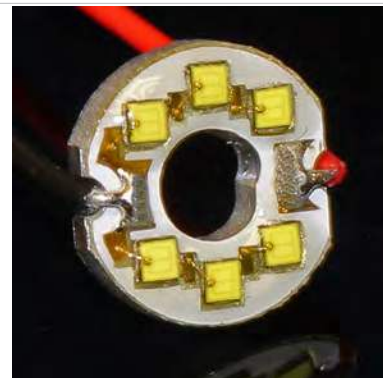
The MTLR-WZ700-x miniature light ring is specifically designed for applications requiring high radiant power output in an extremely small circular footprint.

FEATURES

- > Available in white (2,600 K to 10,000 K CCT)
- > High Reliability
- > Ring Size: 0.205" Outer Diameter

APPLICATIONS

- > Analytical Instruments for Bio Chemical, Medical and Scientific Analysis
- > General Illumination
- > Endoscopy



Absolute Maximum Ratings (Ta=25°C)



ITEMS	SYMBOL	RATINGS	UNIT
Forward Current	IF	75	mA
Storage Temperature	Tstg	-40 ~ +100	°C
LED Junction Temperature	Tj	150	°C

Recommended operating current is 60mA maximum.

***The Light Ring should be properly heat sunked for thermal dissipation.**

****Maximum ratings are Package-dependent.**

Electrical & Optical Characteristics (Ta = 25°C)

ITEMS	SYMBOL	CONDITIONS	MIN.	TYP	MAX.	UNIT
Forward Voltage*	VF	IF=75mA	--	8.0	10.0	V
CCT Range (Cool White) ¹	CCT	IF=75mA	5,000	--	10,000	K
CCT Range (Neutral White) ²	CCT	IF=75mA	3,700	--	5,000	K
CCT Range (Warm White) ³	CCT	IF=75mA	2,600	--	3,700	K
Luminous Flux (Cool White) ¹		IF=75mA	47.4	--	64.2	lm
Luminous Flux (Neutral White) ²		IF=75mA	39.8	--	56	lm
Luminous Flux (Warm White) ³		IF=75mA	33.2	--	51.8	lm

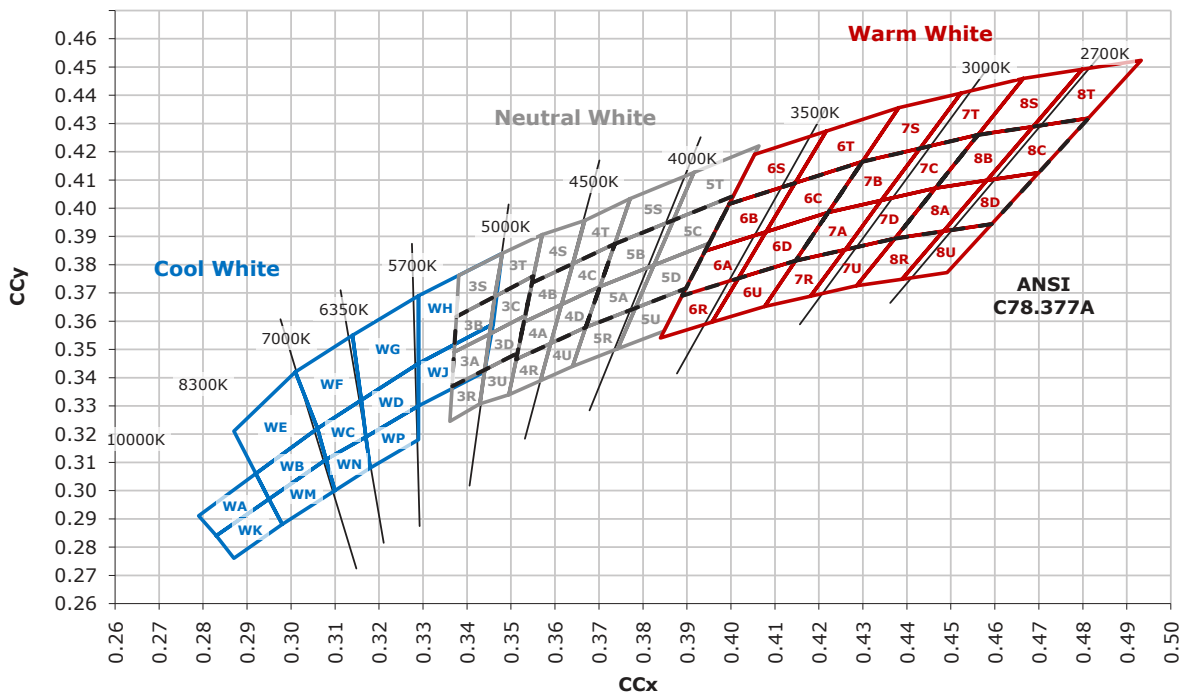
¹ MTLR-WZ700-C

* 3 die in series

² MTLR-WZ700-N

³ MTLR-WZ700-W

CCT Binning



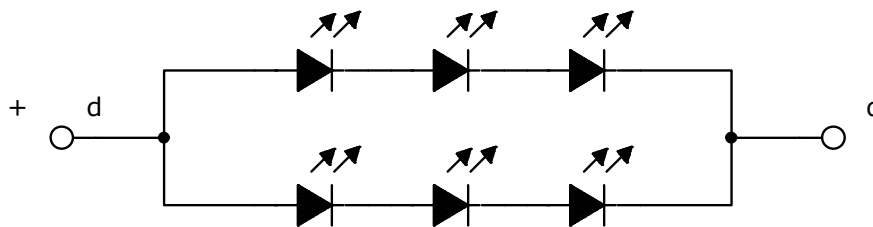
The following tables describe the available colors and flux for WZ chips by listing the correlated color temperature or dominant wavelength range for the entire family and by providing several base order codes.

Color	CCT Range		Base Order Codes Min Luminous Flux (lm)	
	Min.	Max.	Group	Flux (lm)
Cool White	5,000 K	10,000 K	P3	73.9
			P4	80.6
			Q2	87.4
			Q3	93.9
			Q4	100
Neutral White	3,700 K	5,000 K	N4	62
			P2	67.2
			P3	73.9
			P4	80.6
			Q2	87.4
Warm White	2,600 K	3,700 K	N2	51.7
			N3	56.8
			N4	62
			P2	67.2
			P3	73.9
			P4	80.6

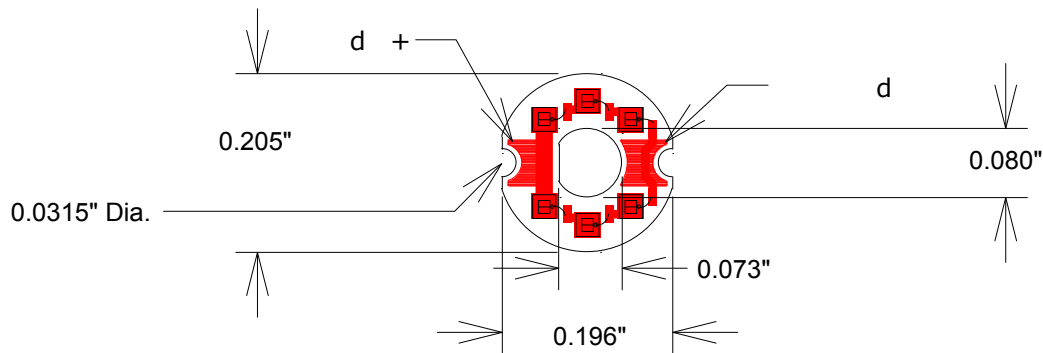
Color	Standard Kit	Color Bins	Flux Bins
Cool White	CW-P3Q4-WZ700-S01-2	WA, WB, WC, WD, WE, WF, WG, WH, WJ, WK, WM, WN, WP	P3, P4, Q2, Q3, Q4
Neutral White	E3-P2Q2-WZ700-S01-2	3A, 3B, 3C, 3D, 3R, 3U, 3S, 3T	P2, P3, P4, Q2
	E4-P2Q2-WZ700-S01-2	4A, 4B, 4C, 4D, 4R, 4U, 4S, 4T	P2, P3, P4, Q2
Warm White	E5-N4Q2-WZ700-S01-2	5A, 5B, 5C, 5D, 5R, 5U, 5S, 5T	N4, P2, P3, P4, Q2
	E6-N3P4-WZ700-S01-2	6A, 6B, 6C, 6D, 6R, 6U, 6S, 6T	N3, N4, P2, P3, P4
	E7-N3P3-WZ700-S01-2	7A, 7B, 7C, 7D, 7R, 7U, 7S, 7T	N3, N4, P2, P3
	E8-N2P3-WZ700-S01-2	8A, 8B, 8C, 8D, 8R, 8U, 8S, 8T	N2, N3, N4, P2, P3

2015-01-06

Circuit Diagram



Board Dimensions



Board Material: Aluminium Core
Board Thickness: 0.031"
Overall Ring Thickness: 0.038" +/-0.005"

All Dimensions are +/-0.005"



We reserve the right to make changes to improve technical design and may do so without further notice. Parameters can vary in different applications. All operating parameters must be validated for each customer application by the customer.