

**Air Powered  
Crimp Tool Head**

**Application Tooling  
Specification Sheet**

**Order No. 64005-0600  
Engineering No. AT 7000**

**FEATURES**

- Quick-change tool head for the 19279-0001 (AT-200)
- Tooling kit is interchangeable with other kits in the 64001 and 64003 Series
- A precision user-friendly terminal locator holds terminals in the proper crimping position for each of the nests
- 2-nested tool eliminates the need for additional tools

**SCOPE**

Products: Nylon closed end connectors 10 - 22 AWG (2 nests 14 - 22 and 10 - 16). This tool head is intended for use in the 19279-0001 (AT-200) either hand held or with optional bench adapter 19078-0307 (ATBA) and foot switch.

**Testing**

**Mechanical**

The tensile test, or pull test, is a means of evaluating the mechanical properties of the crimped connections. The following charts show the UL specifications for various wire sizes. The tensile strength is shown in pounds and indicates the minimum acceptable force to break or separate terminal from the conductor.

Wire Size (AWG)	*UL – 486 C
22	8
20	10
18	10
16	15
14	25
12	35
10	40

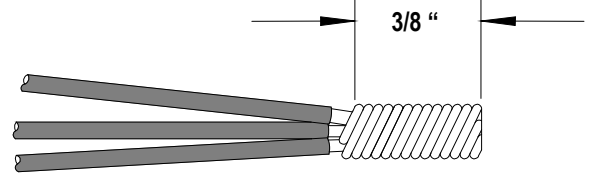
\* UL – 486 C – Closed end connectors and Wire Nuts.

The following is a partial list of the product part numbers and their specifications that this tool is designed to run. We will be adding to this list and an up to date copy is available on [www.molex.com](http://www.molex.com)

Terminal Order No.	Terminal Eng No. (REF)	Wire Size		Wire Combinations
		AWG	mm <sup>2</sup>	
19160-0002	NC-1610	10-16	5.00-1.30	See Chart 1
19160-0003	NC-1610-BA	10-16	5.00-1.30	See Chart 1
19160-0004	NC-1610-L	10-16	5.00-1.30	See Chart 1
19160-0006	NC-1610-Y	10-16	5.00-1.30	See Chart 1
19160-0030	NC-S1610	10-16	5.00-1.30	See Chart 1
19160-0012	NC-2214	14-22	2.00-0.35	See Chart 2
19160-0013	NC-2214-BA	14-22	2.00-0.35	See Chart 2
19160-0015	NC-2214-L	14-22	2.00-0.35	See Chart 2
19160-0016	NC-2214-R	14-22	2.00-0.35	See Chart 2

**OPERATION**

Refer to the instruction manual for the 19279-0001 (AT200) for mounting this crimp tool head.



**Wire Preparation**

Pre-twisted wire not required for OEM applications. For Solid Wire strip leads to 3/8 of an inch. Insert into connector and crimp (OEM only).

For stranded wire strip leads to approximately 3/4 of an inch. Twist the wire combination even and tight. Trim stripped pre-twisted area to 3/8 of an inch and insert into connector and crimp. For more information follow the Quality Crimping Handbook.

**CHART 1**

**Wire Combinations for Nylon- Insulated Closed End Connectors  
Part No. 19160-0002 (NC-1610)**

Wire Type	Wire Gauge (AWG)						Rating
	12	14	16	17	18	20	
Stranded or Solid	1		1				UL & CSA
Stranded or Solid	1				1		UL & CSA
Stranded or Solid	1				2		UL & CSA
Stranded or Solid		2					UL & CSA
Stranded or Solid		1	2				UL & CSA
Stranded or Solid		1	1				UL & CSA
Stranded or Solid		1	1		1		UL & CSA
Stranded or Solid		1			3		UL & CSA
Stranded or Solid		1			2		UL & CSA
Stranded or Solid		1			1		UL & CSA
Stranded or Solid			3		1		UL & CSA
Stranded or Solid			3				UL & CSA
Stranded or Solid			2		3		UL & CSA
Stranded or Solid			2		2		UL & CSA
Stranded or Solid			2		1		UL & CSA
Stranded or Solid			2				UL & CSA
Stranded or Solid			1		4		UL & CSA
Stranded or Solid			1		3		UL & CSA
Stranded or Solid			1		2		UL & CSA
Stranded or Solid			1		1		UL & CSA
Stranded or Solid					6		UL & CSA
Stranded or Solid					5		UL & CSA
Stranded or Solid					4		UL & CSA
Stranded or Solid					3		UL & CSA

**Additional UL Listed Wire Combinations**

- (2) 17 AWG Solid with (1) 18 AWG Stranded.
- (3) 17 AWG Solid with (2) 18 AWG Stranded.
- (3) 14 AWG Solid or Stranded Wire.

**Additional CSA Certified Wire Combinations**

- (3) 16 AWG Stranded with (1) 12 AWG Solid.

**CHART 2**

**Wire Combinations for Nylon- Insulated Closed End Connectors  
Part No. 19160-0012 (NC-2214)**

Wire Type	Wire Gauge (AWG)					Rating
	14	16	18	20	22	
Stranded only		1	1			UL only
Stranded only		1	1	1	1	UL only

**Wire Combinations for Nylon- Insulated Closed End Connectors  
Part No. 19160-0012 (NC-2214)**

Wire Type	Wire Gauge (AWG)					Rating
	14	16	18	20	22	
Stranded only		1		2		UL only
Stranded only		1		1		UL only
Stranded only		1			3	UL only
Stranded only		1			2	UL only
Stranded only		1			1	UL only
Stranded only			3			UL only
Stranded only			2	1		UL only
Stranded only			2		2	UL only
Stranded only			2		1	UL only
Stranded only			1	3		UL only
Stranded only			1	2		UL only
Stranded only			1	2	1	UL only
Stranded only			1	1	3	UL only
Stranded only			1	1	2	UL only
Stranded only			2			UL only
Stranded only			1	1	1	UL only
Stranded only			1		5	UL only
Stranded only			1		4	UL only
Stranded only			1		3	UL only
Stranded only				4	1	UL only
Stranded only				4		UL only
Stranded only				3	2	UL only
Stranded only				3	1	UL only
Stranded only				2	4	UL only
Stranded only				2	3	UL only
Stranded only				2	2	UL only
Stranded only				1	6	UL only
Stranded only				1	5	UL only
Stranded only				1	4	UL only
Stranded only					7	UL only
Stranded only					6	UL only
Solid only			3			UL only
Solid only			2			UL only
Stranded only					7	CSA only
Stranded only				2	4	CSA only
Stranded only		1		2		CSA only
Stranded only			2	1		CSA only
Copper Stranded only			3			CSA only

### Crimping Terminals

1. Hold Air Head crimp tool with the locator facing up. Insert the closed end connector in the correct slot (14 - 22 or 10 - 16). Make sure that the shoulder of the connector is resting on the locator plate. See Figure 1.
2. Place pre-twisted wire into closed-end connector. Push on the wire to assure it is still fully seated in the connector. See Figure 2 and 3. Cycle the tool.

**Caution:** Never operate this tool without the supplied safety shield in place. Never place fingers in the tool nests.

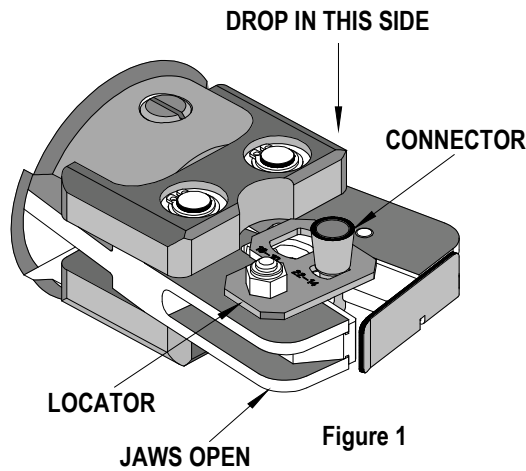


Figure 1

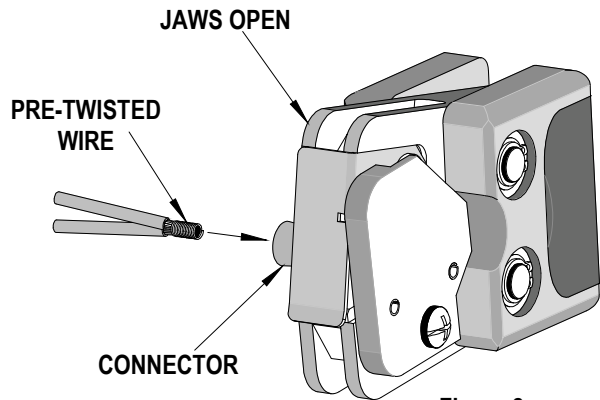


Figure 2

3. Remove the crimp and inspect for proper crimp location, and check for insulation closure. Molex offers a Crimp Inspection Handbook for closed barrel industrial product. See our website or contact you sales engineer.

**Note:** Whenever crimping without the locator, make sure the seam of the terminal is oriented up or down in the tool if using unbrazed product, as this will provide higher pull force values.

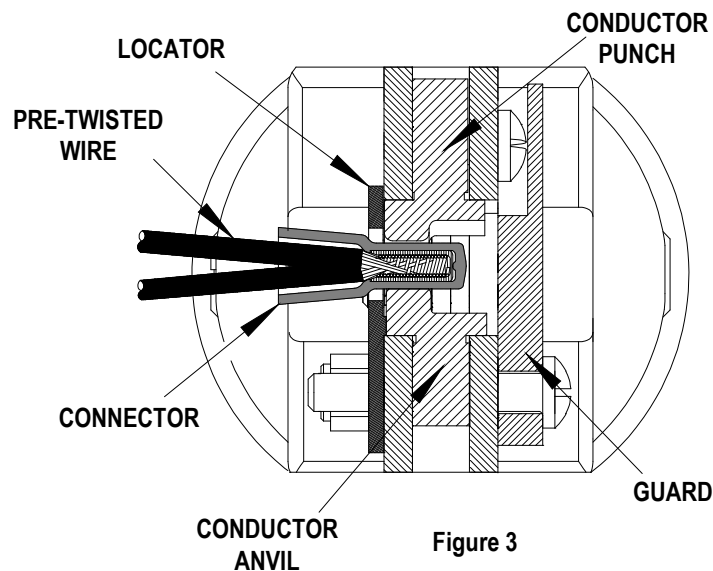


Figure 3

## Maintenance

It is recommended that each operator of the tool be made aware of, and responsible for, the following maintenance steps:

1. Remove dust, moisture and other contaminants with a clean brush, or soft, lint-free cloth.
2. Do not use any abrasive materials that could damage the tool.
3. Make certain all pins; pivot points and bearing surfaces are protected with a thin coat of high quality machine oil. Do not oil excessively. This tool was engineered for durability, but like any fine piece of equipment it needs cleaning and lubrication for a maximum service life of trouble-free crimping. Use a light oil such as 30 weight automotive oil at the oil points shown in Figure 4, every 5,000 crimps or monthly will significantly enhance the tool life and ensure a stable calibration.
4. When tool is not in use store the tool in a clean, dry area.

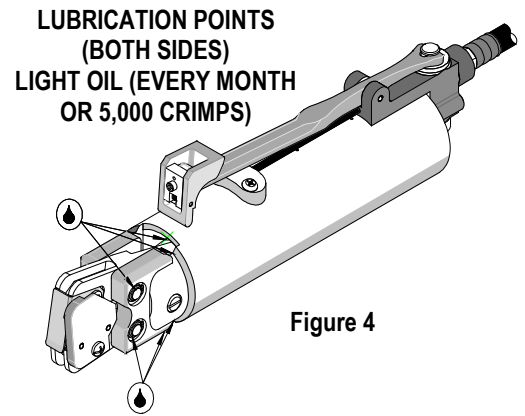
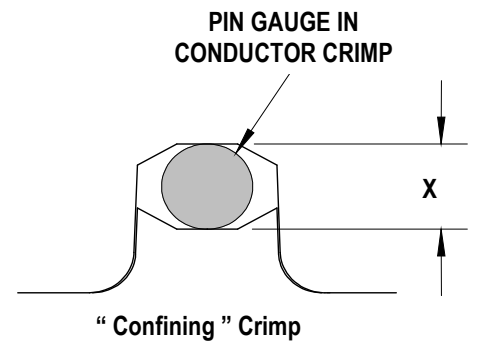


Figure 4

## Tool Calibration

A Certificate of Calibration (See last page) was supplied with the tool. To recalibrate this tool, pin gauge measurements should be taken in each conductor nest and compared to this chart. The tool should be lubricated prior to recalibration to ensure consistent measurements.



Wire Range		"X" Dimension Conductor Crimp		
Awg	mm <sup>2</sup>	Mean	Go	No Go
14 - 22	0.35 - 2.00	.100	.096	.104
10 - 16	1.30 - 5.00	.120	.116	.128

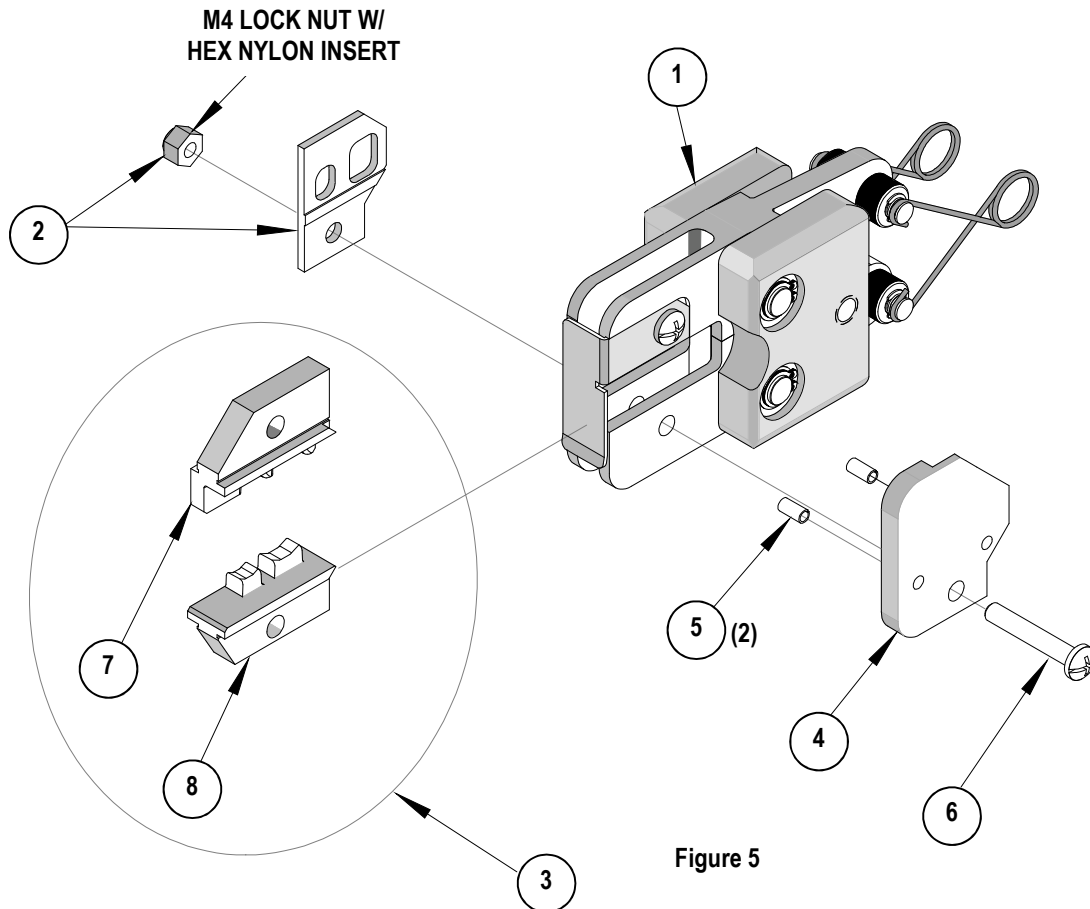
## Warranty

This tool is for electrical terminal crimping purposes only. This tool is made of the best quality materials. All vital components are long life tested. All tools are warranted to be free of manufacturing defects for a period of **30 days**. Should such a defect occur, we would repair or exchange the tool free of charge. This repair or exchange will not be applicable to alter, misused or damaged tools.

**CAUTION:** Molex crimp specifications are valid only when used with Molex terminals, applicators and tooling.

**PARTS LIST**

Item	Order No	Description	Quantity
	<b>64005-0600</b>	<b>Crimp Tool Head</b>	<b>Figure 5</b>
1	64005-0000	Basic Air Tool Head	1
2	64001-0675	Locator Assembly	1
3	64001-0670	Tooling Kit	1
4	64005-0605	Guard	1
5	N/A	3MM by 6 Long Roll Pin	2**
6	N/A	M4 by 25 Long Freedrive Pan Head Screw	1**
<b>Tooling Kit Only</b>			
7	64001-0601	Conductor Punch	1
8	64001-0602	Conductor Anvil	1
** Available from an Industrial supply company such as MSC (1-800-645-7270).			



**Parts List (Continued)**

Item	Order No.	Description	Quantity
	<b>64005-0000</b>	<b>Basic Air Tool Head</b>	<b>Figure 6</b>
1	64005-0103	Nose Guard	1
2	64000-0077	Repair Kit (Springs, Rods, Pivots, Rings, and Washers)	1
3	N/A	M4 by 12 Long Freedrive Pan Head Screw	1**
4	N/A	M4 by 30 Long Freedrive Pan Head Screw	1**
5	N/A	3/16" by 3/8" Long Dowel Pin	1**

\*\* Available from an Industrial supply company such as MSC (1-800-645-7270).

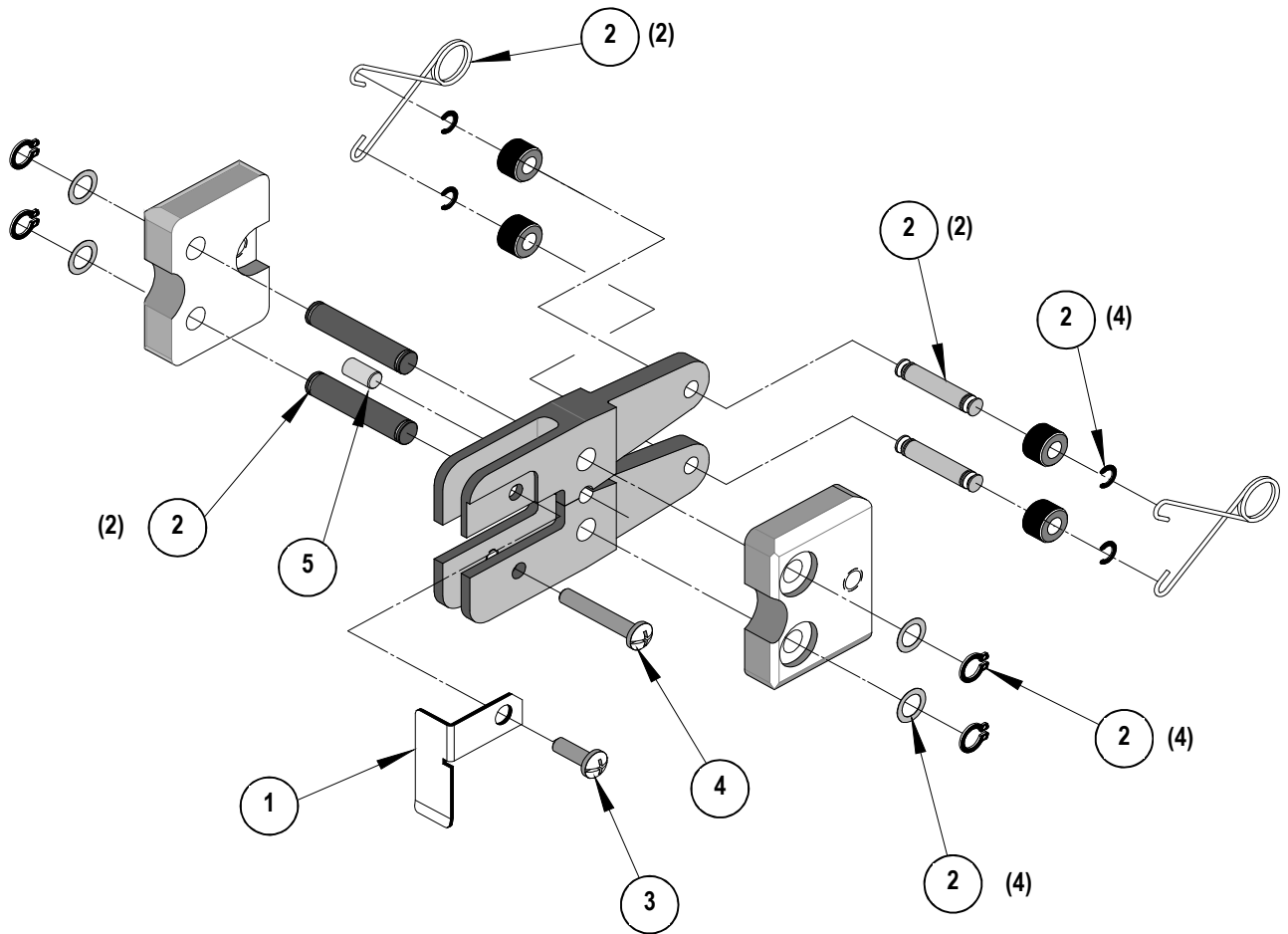
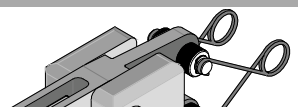


Figure 6

**Air Powered  
Crimp Tool Head**



**Certificate of Calibration**

**Order No. 64005-0600  
Engineering No. AT 7000**

Tool Order Number \_\_\_\_\_

Tool Eng. Number \_\_\_\_\_

Tool Revision \_\_\_\_\_

Serial Number \_\_\_\_\_

Date of Manufacture \_\_\_\_\_

Pin Gauge of Conductor Nest/Nests or Slug height if the nest is the "F" Crimp style.

Range Conductor Nest # 1 = \_\_\_\_\_ -- Actual = \_\_\_\_\_

Range Conductor Nest # 2 = \_\_\_\_\_ -- Actual = \_\_\_\_\_

Technician \_\_\_\_\_

Date of Calibration \_\_\_\_\_

Calibration should be done every 5,000 cycles or 3 months.  
Tools should be lubricated during this operation.

**Application Tooling Support**  
2200 Wellington Court  
Lisle, IL 60532 USA  
Phone: +1-402-458-TOOL (8665)  
E-mail: applicationtooling@molex.com

Visit our Website at [www.molex.com/applicationtooling](http://www.molex.com/applicationtooling)