

Project:	
Type:	
Catalog #:	

STANDARD



The CLMAL series is a group of premium architectural LED area luminaires designed to illuminate parking areas, pathways, building facades, loading docks, and a wide variety of other large, general site lighting applications. Multiple mounting options make the CLMAL a versatile luminaire for flood lighting, pole-, ground- and wall-mounted area lighting, and other outdoor lighting requirements.

FEATURES

- Available in 4000k (neutral white) and 5000k (cool white) color temperatures.*
- Long-life LEDs provide 372,000 hours of operation with at least 70% of initial lumen output (L₇₀).**
- CLMAL-240 provides 27,944 lumens (121 lumens per watt, LPW) at 4000k, and 28,410 lumens (123 LPW) at 5000k.
- CLMAL-280 provides 32,546 lumens (117 lumens per watt, LPW) at 4000k, and 32,956 lumens (119 LPW) at 5000k.
- Standard optic provides an IES roadway type V distribution, or a 7V (vertical) x 7H (horizontal) NEMA floodlight distribution.
- Universal 120-277 AC voltage (50-60Hz) is standard.
- Power factor > 0.90.
- Total harmonic distortion < 20%.
- Color rendering index > 80.
- Optional glare shields (full & half) & wire guards are available.
- Die cast aluminum housing with durable, dark bronze powder coat finish—at least 2 mils thick on all surfaces—and a heat-resistant polycarbonate lens.
- Wireway enclosure is sealed with a water-tight, silicon rubber gasket.
- Effective projected areas (EPA's) are:
 - Front = 0.33 s.f.
 - Side = 0.49 s.f.
 - Face = 2.14 s.f.
- Easy installation in new construction or retrofit applications.

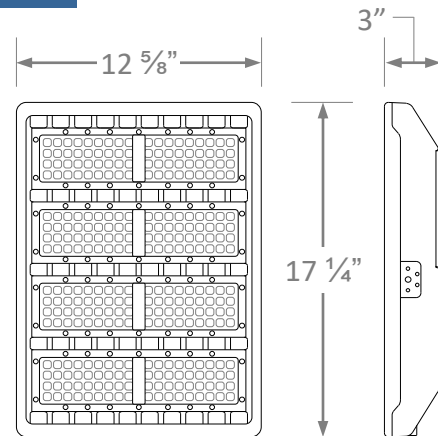
* Contact factory for other color temperatures and lumen packages.
 ** L₇₀ hours are IES TM-21-11 calculated hours.



WARRANTY & LISTINGS

- cULus listed for wet locations in ambient temperatures from -20°C to 45°C (-4°F to 113°F).
- IP66 rated for ingress protection.
- DLC premium approved.
- Flicker-free per IEEE1789-2015 (no observable adverse effects of flicker at 100% light output level).
- Rated for 3G vibration.
- Lens is IK 9 rated for protection from external impacts.
- Salt fog tested for 1,000 hours (ASTM B117). After salt fog testing, paint rated at 9 per ASTM D1654-05 scratch test.
- Complies with FCC Part 15, class B.
- Complies with EN61000-4-5, surge immunity protection (6kV).
- 5-year warranty of all electronics and housing.

DIMENSIONS



Weight: 11.7 lbs. (240W) & 11.9 lbs. (280W)

ORDERING INFORMATION

Example: CLMAL-24040-ARM-WG

Model	Color Temperature	Luminaire Lumens	Luminaire Watts	Lumens Per Watt	Accessories (Order Separately)
CLMAL-240	40 = 4000k	27,944	231	121	-YK = Yoke Mounting Bracket, 240 – 280W -TR = Trunnion Mounting Bracket, 80 – 280W -ARM = Arm Mounting Bracket, 80 – 280W -SF = Slip-Fitter Mounting Bracket, 80 – 280W -PCKIT = NEMA photocell installation kit, 80 – 280W -FGS = Full Glare Shield, 240 – 280W -HGS = Half Glare Shield, 240 – 280W -WG = Wire Guard, 240 – 280W
	50 = 5000k	28,410		123	
CLMAL-280	40 = 4000k	32,546	278	117	
	50 = 5000k	32,956		119	

ELECTRICAL DATA

Model	Color Temperature	CRI ¹	Luminaire Lumens	Luminaire Watts	Lumens Per Watt	Input Voltage ²	Input Current (A)			Power Factor	THD ³	L ₇₀ Hours ⁴
							120V	240V	277V			
CLMAL-24040	4000k	> 80	27,944	231	121	120-277	1.93	0.96	0.83	> 90%	< 20%	372,000
CLMAL-24050	5000k	> 80	28,410	231	123	120-277	1.93	0.96	0.83	> 90%	< 20%	372,000
CLMAL-28040	4000k	> 80	32,546	278	117	120-277	2.32	1.16	1.00	> 90%	< 20%	372,000
CLMAL-28050	5000k	> 80	32,956	278	119	120-277	2.32	1.16	1.00	> 90%	< 20%	372,000

¹ Color rendering index.

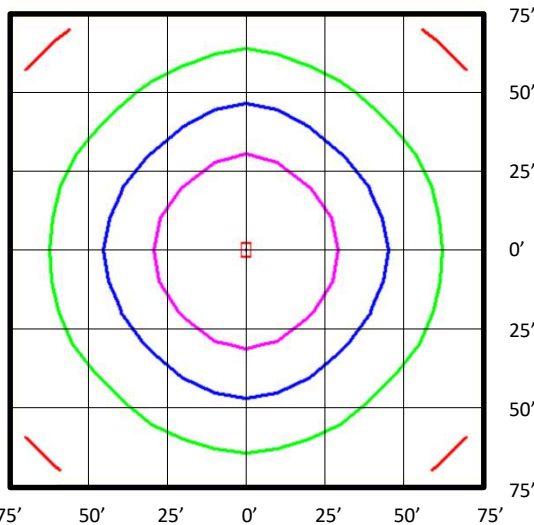
² All 50-60Hz.

³ Total harmonic distortion.

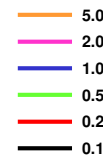
⁴ L₇₀ refers to the number of hours at which lumen output declines to 70% of the initial level. L₇₀ hours are IES TM-21-11 calculated hours.

PHOTOMETRIC DATA

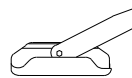
CLMAL-24040 (27,944 Lumens, Type V Distribution)



Foot Candles



Luminaire Orientation:

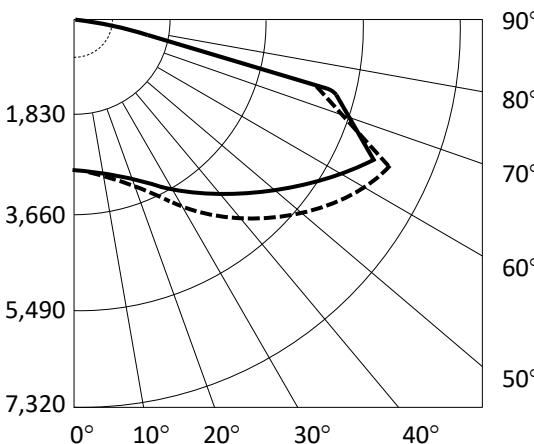


Notes:

- Isofootcandle plots depict initial footcandles at grade.
- Gridlines represent units of mounting height of 25 feet.

BUG Rating: B5-U0-G5

Zone	Lumens	%
FL - Front - Low (0-30)	1,381	5%
FM - Front - Medium (30-60)	5,510	20%
FH - Front - High (60-80)	6,265	22%
FVH - Front - Very High (80-90)	959	3%
Total Forward Light	14,115	51%
BL - Back - Low (0-30)	1,361	5%
BM - Back - Medium (30-60)	5,353	19%
BH - Back - High (60-80)	6,116	22%
BVH - Back - Very High (80-90)	999	4%
Total Back Light	13,829	49%
UL - Up Light - Low (90-100)	0	0%
UH - Up Light - High (100-180)	0	0%
Total Up Light	0	0%
Total Lumens	27,944	100%



NEMA Floodlight Type Data

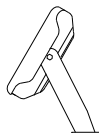
Field Angles:

- Horizontal 161°
- Vertical 164°

NEMA Type:

- Horizontal 7H
- Vertical 7V

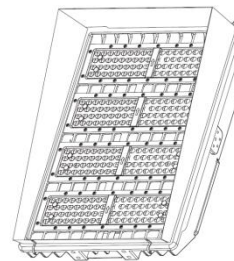
Luminaire Orientation:



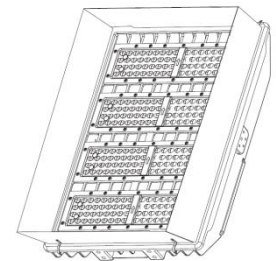
Maximum Candela = 7,320

- Horizontal
- - - Vertical

Shields

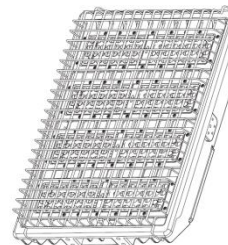


Full

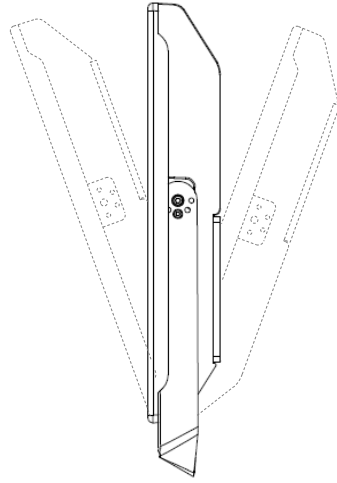
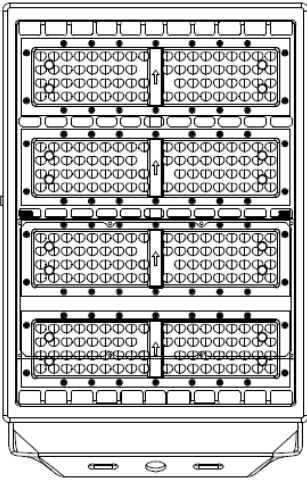


Half

Wire Guards

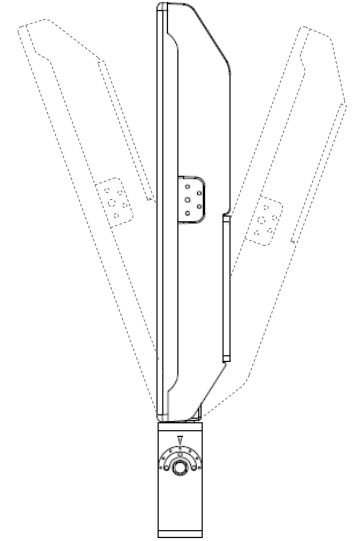
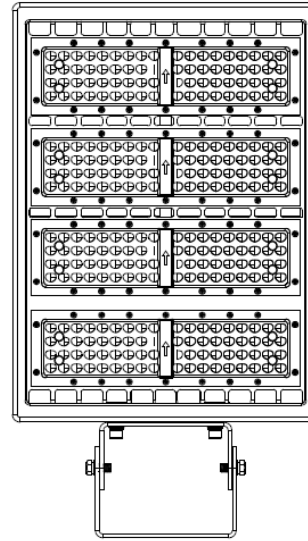


MOUNTING ACCESSORIES



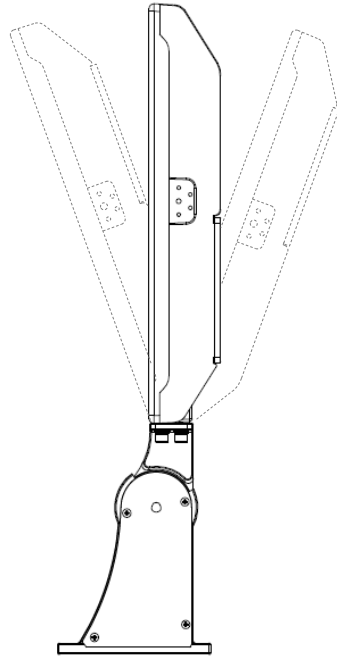
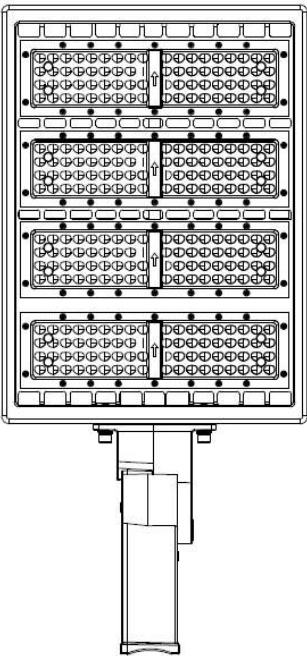
Yoke Mount

CAMAL-YK-240/280



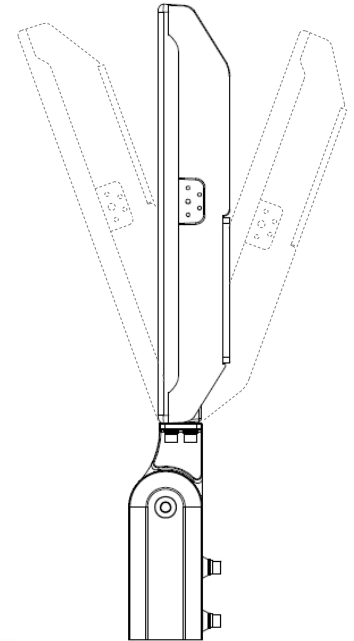
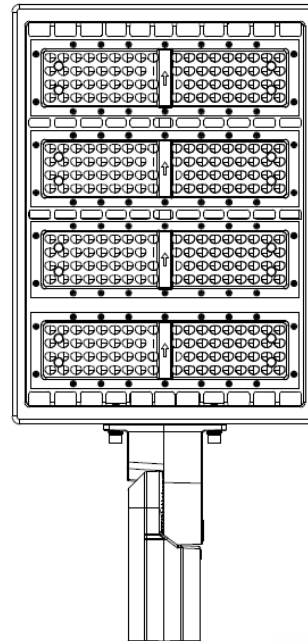
Trunnion Mount

CAMAL-TR-80/280



Adjustable Arm Mount

CAMAL-ARM-80/280



Slip-Fitter Mount

CAMAL-SF-80/280

All mounting accessories are adjustable up to 90° in both directions.