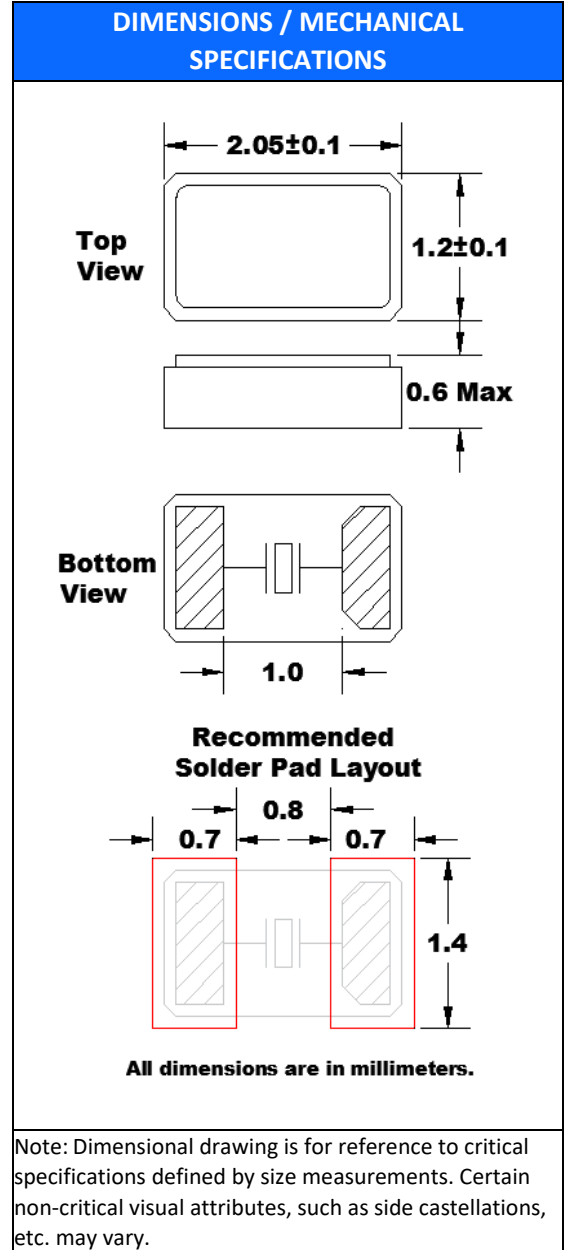


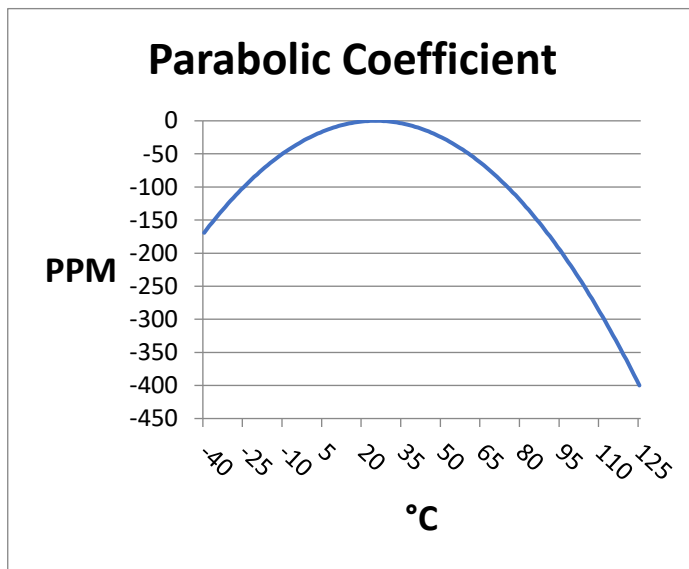
Features

- AEC-Q200 Qualified
- IATF-16949 QMS

| STANDARD SPECIFICATIONS | |
|---|--------------------------------|
| PARAMETERS | MAX (Unless otherwise noted) |
| Frequency Range | 32.768 kHz |
| Frequency Tolerance @ 25°C | ±20 PPM |
| Frequency Stability, ref 25°C (Temperature Coefficient) | -0.04 PPM / (Δ°C) ² |
| Temperature Range | |
| Turnover (TO) | +20°C ~ +30°C |
| Operating (T _{OPR}) | -40°C ~ +125°C |
| Storage (T _{STG}) | -40°C ~ +125°C |
| Equivalent Series Resistance (R _S) | 90 kΩ |
| Load Capacitance (C _L) | (See options below) |
| Insulation Resistance @ 100VDC | 500MΩ Min |
| Drive Level | 1.0μW (0.1μW Typical) |
| Aging per year * @ 25°C) | ±3 PPM |
| Maximum Soldering Temp / Time | 260°C / 10 Seconds |
| Moisture Sensitivity Level (MSL) per J-STD-033 | 1 |
| Termination Finish | Au over Ni |
| Seal Method | Seam |
| Lead (Pb) Free | Yes |
| RoHS Compliant | Yes |



Temperature Coefficient

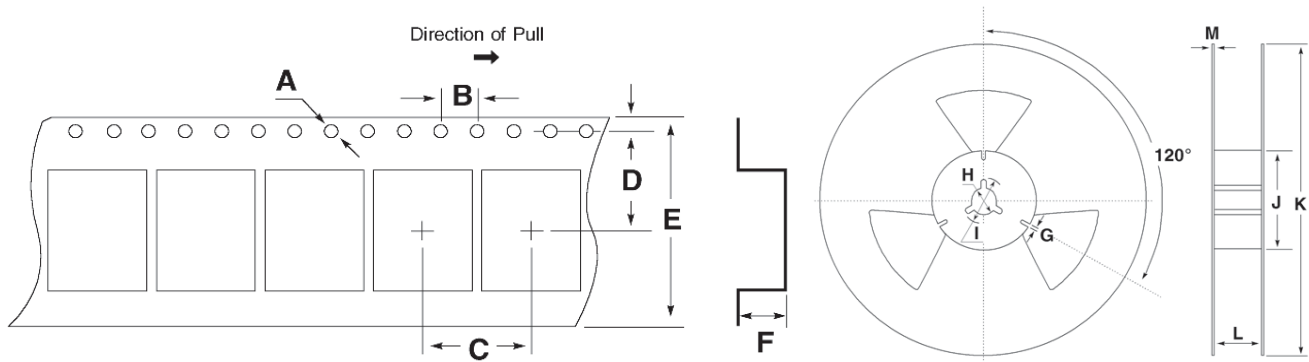


FK12A

2.05mm x 1.2mm
Auto Grade Tuning Fork



| TAPE SPECIFICATIONS (mm) | | | | | | | REEL SPECIFICATIONS (mm) | | | | | | |
|--------------------------|-----|-----|-----|-----|------|-------------|--------------------------|-----|-----|-----|------|-----|-----|
| A | B | C | D | E | F | REEL QTY | G | H | I | J | K | L | M |
| Ø1.5 | 4.0 | 4.0 | 3.5 | 8.0 | 0.75 | -T3 = 3,000 | 2.0 | Ø13 | Ø21 | Ø60 | Ø180 | 9.0 | 1.2 |



Available Options & Part Identification for SMD Tuning Fork Crystal K12A

Sample PN: FK12AEIH0.032768-T3

| F | K12A | E | I | H | I | 0.032768 | -T3 |
|------------|---------------------|--------------------------------|--|--|--|------------------------|---|
| <u>Fox</u> | <u>Model Number</u> | <u>Tolerance</u> E = ±20ppm | <u>Stability</u> I = -0.04 PPM/ (Δ°C) ² | <u>Load Capacitance</u> B = 6pF V = 7pF W = 9pF H = 12.5pF | <u>Operating Temperature</u> I = -40 ~ +125°C | <u>Frequency (MHz)</u> | <u>Values Added Options</u> Blank = Bulk T3 = 3,000 pcs |

Reliability Test Conditions

Please contact Abracon Quality Assurance department

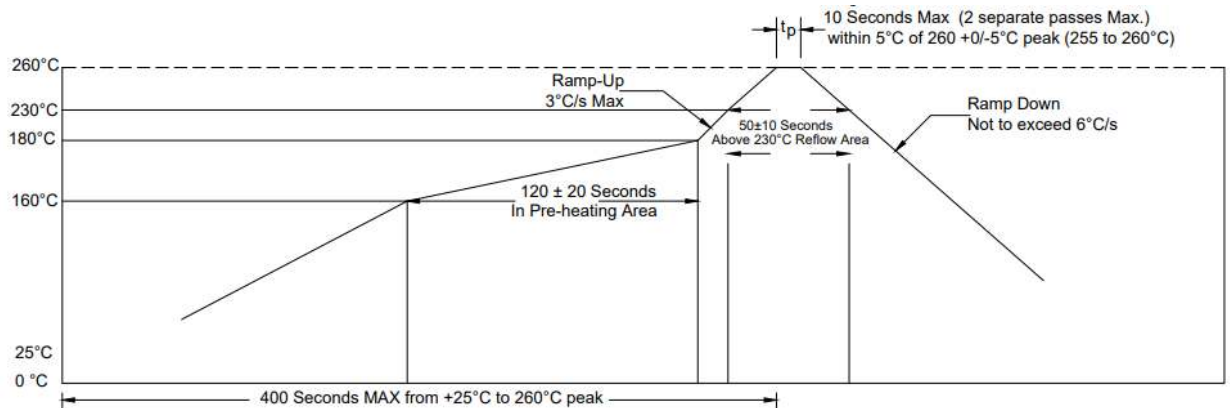
Crystal Unit Handling Precautions

1) Mounting Precautions

- If the board is deformed, such as bending after mounting, peeling of the soldered joint between the crystal resonator and board may occur producing a crack in the ceramic package, leading to loss of vacuum, destruction of the internal element, etc. Especially when repaneling the board on which it is mounted, there is a possibility that a large stress may be applied, please consider board layout and cutting method to minimize stress on products.
- When the product is automatically mounted on the board, if a large impact is applied to the crystal resonator, there is a possibility that characteristics may change / deteriorate, or the product may be broken. When mounting automatically, please set conditions considering the shock to the crystal unit. Also, please conduct the mounting test beforehand and confirm that there is no influence on the characteristics to the crystal resonator.
- Cracks may occur in the soldered part by repeated harsh temperature changes for a long time when mounting due to the board having a expansion coefficient different from that of the ceramics used in the crystal package. When using under such circumstances, please conduct test beforehand and confirm that there is no influence on the crystal unit.
- Ceramic packages are small and thin products. So, if/when you rework after mounting, please give consideration to the selection and handling of the tools to be used.

2) Soldering

Following is typical SMD Pb-free reflow profile for soldering:



Excessive heating time at high temperature may result in deterioration of the characteristics and may break the crystal unit. For manual rework, heat the lead part at 300°C or lower for 5 seconds or less.

3) Cleaning

Since a small, thin crystal chip is used for tuning fork crystal units and the frequency approximates that of an ultrasonic cleaner, the crystal chip may break easily. Therefore, DO NOT perform ultrasonic cleaning.