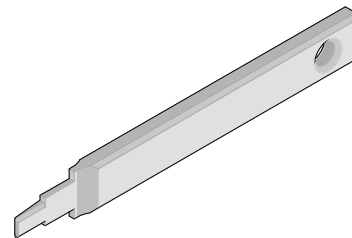




Extractor Tool

Application Tooling Specification Sheet



Order No. 63824-2400

FEATURES

- This Extractor Tool is for the removal of the CSP 6.3 Receptacle Terminals from the CSP Receptacle Housings

SCOPE

Products: CSP 6.3 Receptacle Terminals

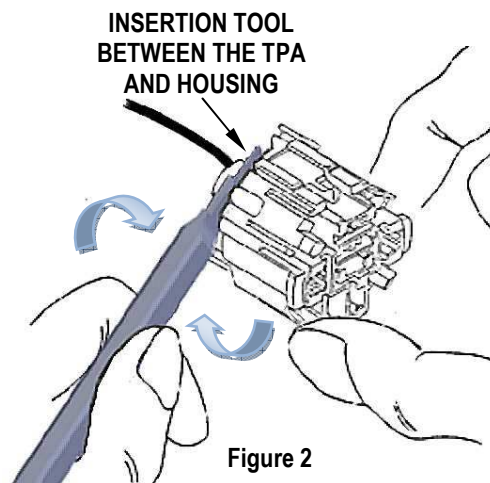
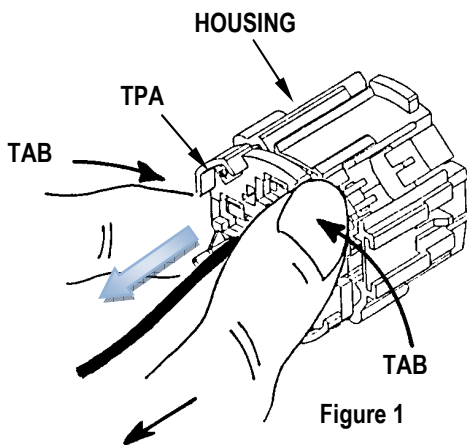
Housing Series No.	Terminal Series No.	Terminal Order No.					
98947	98891	98891-1011	98891-1012	98891-1013	98891-1014	98891-1033	98891-3011
		98891-3012	98891-3013				

OPERATION:

Warning: Before extracting the crimp terminals, the TPA (Secondary Lock) will need to be unlocked.

Unlocking the TPA

1. Press the 2 tabs on the side of the TPA at the same time.
2. Pull the TPA (secondary lock) back to the pre-assembled position. See Figure 1.
3. Insert the extraction tool between the TPA and the housing
4. Rotate the tool to unlock the TPA pre-assembled position. See figure 2.



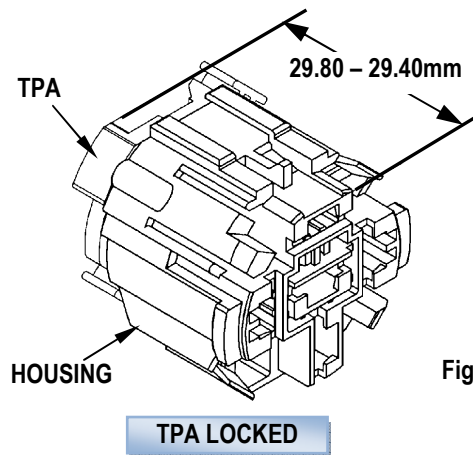
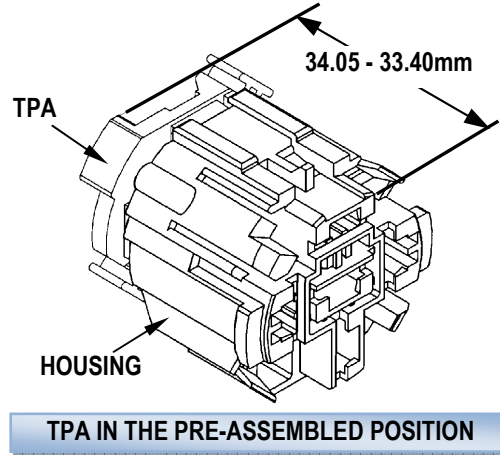
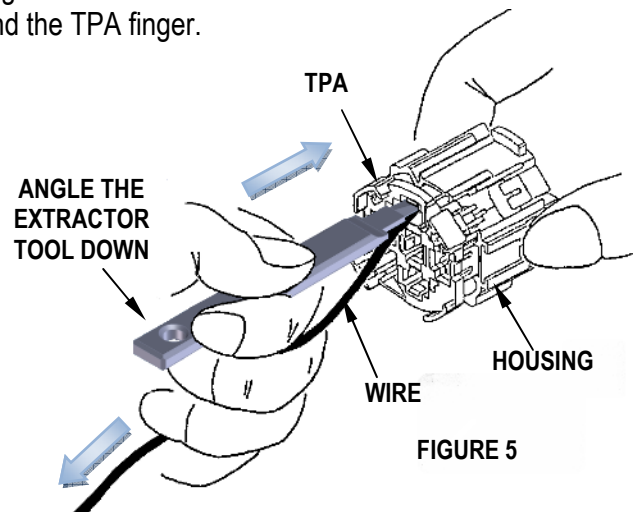
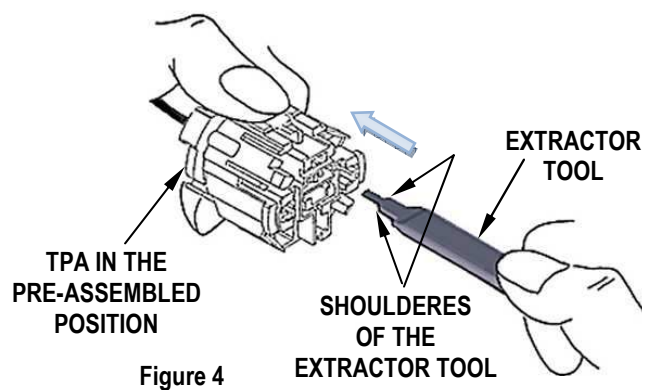


Figure 3



Removing the Terminals

1. Before using the extractor tool, make sure the TPA is in the *pre-assembled position*. See Figure 3.
2. Insert the extractor tool into the slot above the terminal in the housing from the opposite side of the TPA until the extractor tool shoulders stop against the housing. This will compress and push the terminal back to overcome the primary lock located in the housing. See Figure 4.
3. Next insert the extractor tool between the terminal wire and the TPA finger.



4. Gently push the extractor tool until it stops. Angle the extractor tool to lift the TPA locking finger. This will provide clearance for the terminal and unlock the (secondary lock) in the TPA.
5. While holding the extractor tool in one hand, gently pull the terminal and the wire back through the housing slot and the TPA opening. With the other hand, gently pull the housing in the opposite direction as shown in figure 5.

Molex does not offer repair parts for Extractor Tools due to the inexpensive nature of these tools.

Visit our Web site at <http://www.molex.com>