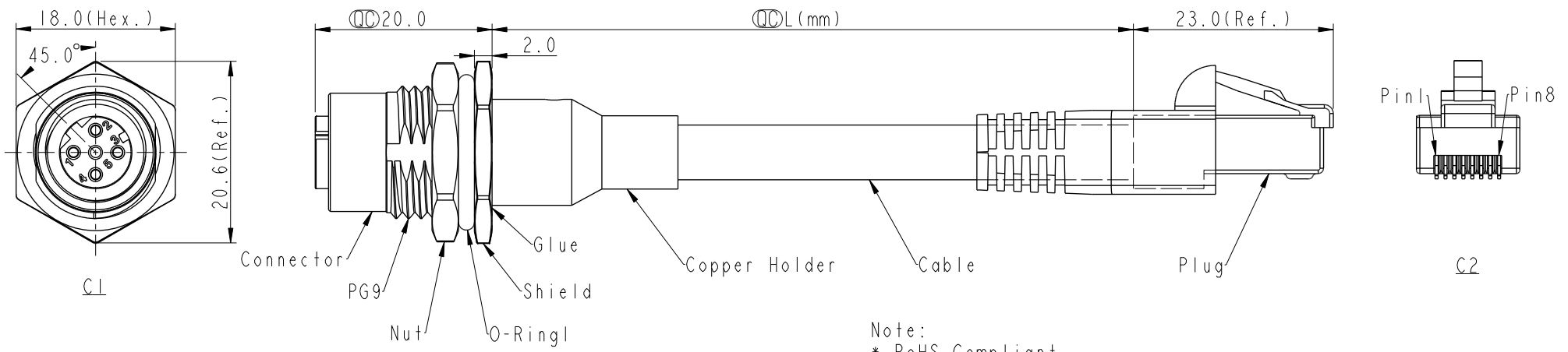


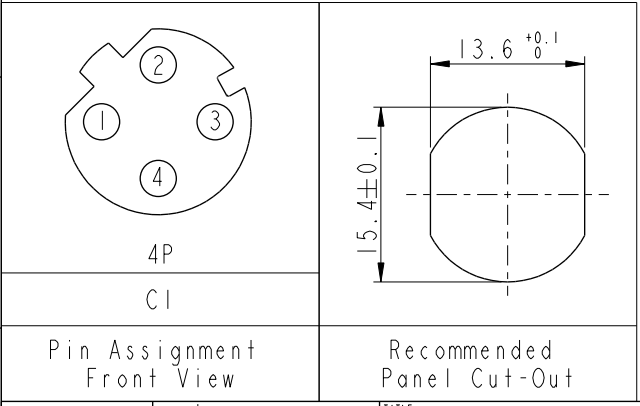
THIS DOCUMENT IS SUBJECT TO CHANGE WITHOUT NOTICE. IT IS CONFIDENTIAL AND A PROPERTY OF AMPHENOL LTW. DISCLOSURE TO THIRD PARTY HAS TO BE AUTHORIZED BY AMPHENOL LTW.

REV.	ECN NO.	DATE	SIGN	DESCRIPTION
A		2022-06-22	Jiahe Lin	Rev.01 To Rev.A
B	C221046	2022-07-10	Allen Pan	$\triangle B$ x1

MSDS-XXPFFJ-SF8AXX  
 XX: No. Of Pin  
 XX:L=0~5Meters  
 A5:L=0.5Meters  
 01:L=1Meters  
 02:L=2Meters  
 ⋮  
 05:L=5Meters



- Note:
- \* RoHS Compliant
  - \*  $\varnothing$  Important Dimension
  - \* C1  
 Waterproof Rate: IPX8, Unmated 1m/24h  
 Housing: Thermoplastic, Black  
 Pin: Copper Alloy, Gold plated  
 O-Ring1: Rubber, Black  
 O-Ring2: Rubber, Green  
 Shield: Metal  
 Nut: Metal
  - \* C2  
 Waterproof Rate: Non-Waterproof  
 Plug: RJ45, Shielded
  - \* For panel thickness max: 4.5mm
  - \* Nut is packed separately in pe bag
  - $\triangle B$  \* Cable: CAT-5E, 22#\*2P+AL/MY+D, OD=6.2mm, PU Jacket, Black
  - \* Cable length tolerance: 0.5M < L ≤ 1M: +60/-0 mm  
 1M < L ≤ 3M: +120/-0 mm  
 3M < L ≤ 5M: +160/-0 mm



UNIT:mm		TITLE N SEN, M12 D -SHLD, SCREW RECEPTACLE, F, F, RJ PLUG
TOLERANCE .X ±0.25 .XX ±0.1 .XXX ±0.05 ANGLES ±1°	SCALE 2:1	SIZE A4
	REV. B	SHEET 1 OF 2
	WC-REV.	$\varnothing$ : Inspection item

<b>Amphenol LTW</b> 安費諾亮泰企業股份有限公司		ITEM NO	DRAWN BY Jiahe Lin	DATE 2022-06-22
		DWG NO MSDS-XXPFFJ-SF8AXX	CHECKED BY Allen Pan	DATE 2022-06-22
		CUSTOMER ALTW	APPROVED BY Fred Lee	DATE 2022-06-22

	1	2	3	4	5	6	7	8																																																																		
F																																																																										
E																																																																										
D																																																																										
C																																																																										
B	<table border="1" style="width: 100%; border-collapse: collapse;"> <tr> <td style="width: 10%;">Shield</td> <td style="width: 20%;">Drain</td> <td style="width: 20%;">地線</td> <td style="width: 10%;">Shield</td> <td style="width: 10%;"></td> <td style="width: 10%;"></td> <td style="width: 10%;"></td> <td style="width: 10%;"></td> <td style="width: 10%;"></td> </tr> <tr> <td>4</td> <td>Green</td> <td>綠</td> <td>6</td> <td rowspan="2" style="text-align: center;">Twist</td> <td></td> <td></td> <td></td> <td></td> </tr> <tr> <td>2</td> <td>White/Green</td> <td>白/綠</td> <td>3</td> </tr> <tr> <td>3</td> <td>Orange</td> <td>橘</td> <td>2</td> <td rowspan="2" style="text-align: center;">Twist</td> <td></td> <td></td> <td></td> <td></td> </tr> <tr> <td>1</td> <td>White/Orange</td> <td>白/橘</td> <td>1</td> </tr> <tr> <td>C1</td> <td colspan="2" style="text-align: center;">Wire Color</td> <td>C2</td> <td></td> <td></td> <td></td> <td></td> <td></td> </tr> <tr> <td colspan="9" style="text-align: center;">Pin Out</td> </tr> </table>								Shield	Drain	地線	Shield						4	Green	綠	6	Twist					2	White/Green	白/綠	3	3	Orange	橘	2	Twist					1	White/Orange	白/橘	1	C1	Wire Color		C2						Pin Out																					
Shield	Drain	地線	Shield																																																																							
4	Green	綠	6	Twist																																																																						
2	White/Green	白/綠	3																																																																							
3	Orange	橘	2	Twist																																																																						
1	White/Orange	白/橘	1																																																																							
C1	Wire Color		C2																																																																							
Pin Out																																																																										
A	<table border="1" style="width: 100%; border-collapse: collapse;"> <tr> <td style="width: 10%;">UNIT:mm</td> <td style="width: 10%; text-align: center;"></td> <td style="width: 10%; text-align: center;"></td> <td colspan="3" style="width: 30%;">TITLE N SEN, M12 D -SHLD, SCREW RECEPTACLE, F, F, RJ PLUG</td> <td colspan="2" style="width: 20%; text-align: center;"><b>Amphenol LTW</b></td> <td style="width: 10%;">ITEM NO</td> <td style="width: 10%;">DRAWN BY</td> <td style="width: 10%;">DATE</td> </tr> <tr> <td colspan="3">TOLERANCE</td> <td>SCALE</td> <td>SIZE</td> <td>SHEET</td> <td>OF</td> <td colspan="2">DWG NO</td> <td>CHECKED BY</td> <td>DATE</td> </tr> <tr> <td>.X</td> <td>±0.25</td> <td></td> <td>1:1</td> <td>A4</td> <td>2</td> <td>2</td> <td colspan="2">MSDS-XXPFFJ-SF8AXX</td> <td>Allen Pan</td> <td>2022-06-22</td> </tr> <tr> <td>.XX</td> <td>±0.1</td> <td></td> <td>REV.</td> <td>WC-REV.</td> <td colspan="2" style="text-align: center;">☉: Inspection item</td> <td colspan="2">CUSTOMER</td> <td>APPROVED BY</td> <td>DATE</td> </tr> <tr> <td>.XXX</td> <td>±0.05</td> <td></td> <td>B</td> <td></td> <td colspan="2"></td> <td colspan="2">ALTW</td> <td>Fred Lee</td> <td>2022-06-22</td> </tr> <tr> <td>ANGLES</td> <td>±1°</td> <td></td> <td colspan="8"></td> </tr> </table>								UNIT:mm			TITLE N SEN, M12 D -SHLD, SCREW RECEPTACLE, F, F, RJ PLUG			<b>Amphenol LTW</b>		ITEM NO	DRAWN BY	DATE	TOLERANCE			SCALE	SIZE	SHEET	OF	DWG NO		CHECKED BY	DATE	.X	±0.25		1:1	A4	2	2	MSDS-XXPFFJ-SF8AXX		Allen Pan	2022-06-22	.XX	±0.1		REV.	WC-REV.	☉: Inspection item		CUSTOMER		APPROVED BY	DATE	.XXX	±0.05		B				ALTW		Fred Lee	2022-06-22	ANGLES	±1°									
UNIT:mm			TITLE N SEN, M12 D -SHLD, SCREW RECEPTACLE, F, F, RJ PLUG			<b>Amphenol LTW</b>		ITEM NO	DRAWN BY	DATE																																																																
TOLERANCE			SCALE	SIZE	SHEET	OF	DWG NO		CHECKED BY	DATE																																																																
.X	±0.25		1:1	A4	2	2	MSDS-XXPFFJ-SF8AXX		Allen Pan	2022-06-22																																																																
.XX	±0.1		REV.	WC-REV.	☉: Inspection item		CUSTOMER		APPROVED BY	DATE																																																																
.XXX	±0.05		B				ALTW		Fred Lee	2022-06-22																																																																
ANGLES	±1°																																																																									
	2	3	4	5	6	7	8	W10814-03-001A2																																																																		