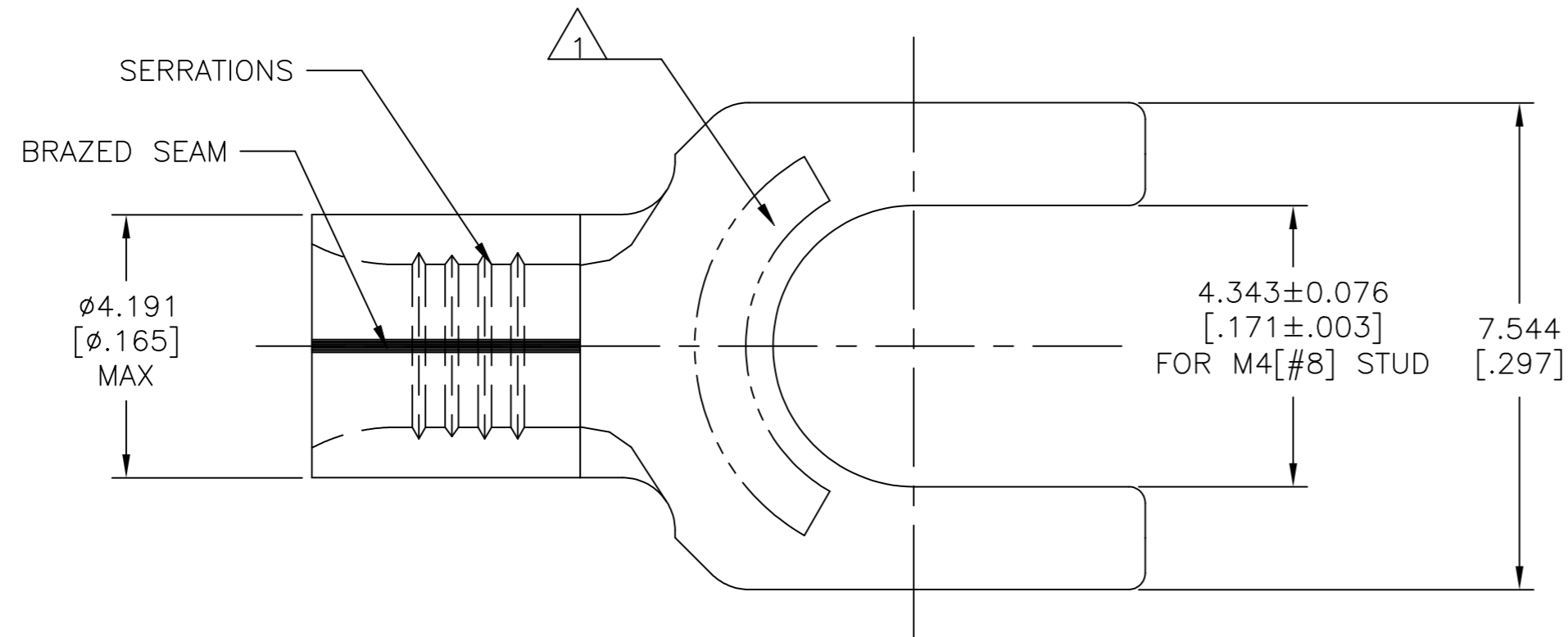


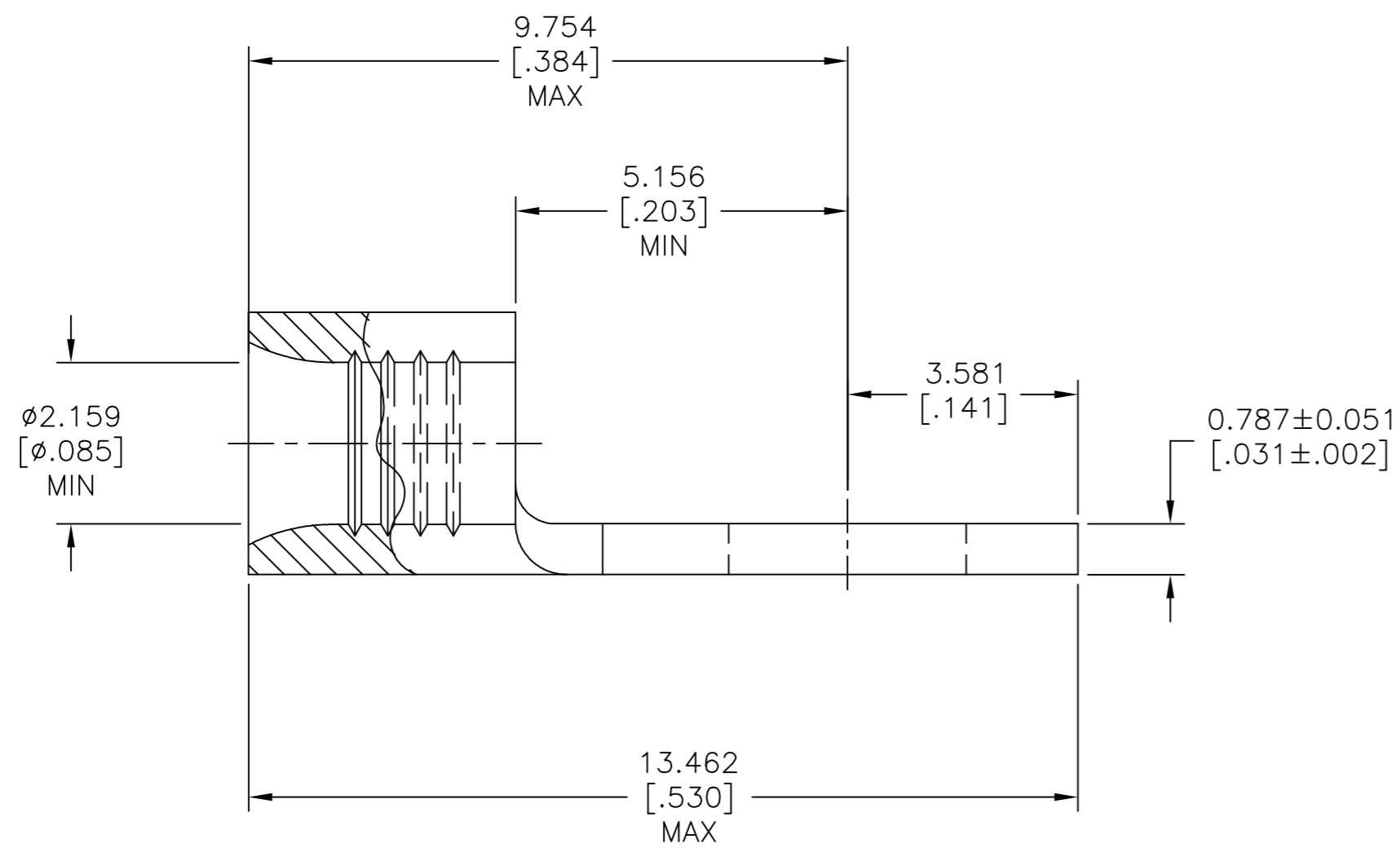
THIS DRAWING IS UNPUBLISHED. RELEASED FOR PUBLICATION  
 © COPYRIGHT - TE Connectivity Ltd. ALL RIGHTS RESERVED.

P		LTR	DESCRIPTION	DATE	DWN	APVD
D1			REVISED PER ECR 09-023200	27OCT09	JR	TM
D2			REVISED PER ECO-17-008808	02FEB2018	RS	DR



<b>AMP</b> WIRE RANGE	<b>UL</b> Listed FILE E13288	<b>SR</b> LR7189 Certified
16-14 AWG SOLID OR STRANDED	16-14 AWG SOLID OR STRANDED	16-14 AWG SOLID OR STRANDED

- 1 STAMP AMP 16-14\* APPROX AS SHOWN
- 2 COPPER PER ASTM B-152, ANNEALED
- 3 0.00254 [.000100] MIN TIN PER ASTM B-545



<b>CUSTOMER SERVICE SYSTEMS</b> FOR ADDITIONAL PRODUCT INFORMATION OR COPIES OF DRAWINGS AND TECHNICAL DOCUMENTS PRODUCT INFORMATION CENTER 1-800-522-6752 FOR APPLICATION TOOLING INFORMATION TOOLING ASSISTANCE CENTER 1-800-722-1111 FOR ORDER ENTRY 1-800-526-5142		MAX RECOMMENDED OPERATING TEMPERATURE: 170°C [338°F] MAX
		VOLTAGE RATING: N/A CIRCULAR MIL AREA: 1.04-2.62mm² [2,050-5,180] SOLID OR STRANDED
THIS DRAWING IS A CONTROLLED DOCUMENT FOR AMP INCORPORATED. IT IS SUBJECT TO CHANGE AND THE CONTROLLING ENGINEERING ORGANIZATION SHOULD BE CONTACTED FOR THE LATEST REVISION.		

THIS DRAWING IS A CONTROLLED DOCUMENT.	
DIMENSIONS: mm [INCHES]	TOLERANCES UNLESS OTHERWISE SPECIFIED:
	0 PLC ± -
	1 PLC ± -
	2 PLC ± -
	3 PLC ± 0.127[.005]
	4 PLC ± -
	ANGLES ± -
MATERIAL	FINISH
2	3

1000	LOOSE PIECE	36880
QTY	PACKAGE TYPE	PART NUMBER
DWN TA BRINKMAN 1-28-93 CHK DA PATTERSON 1-28-93 APVD JL MECKLEY 1-28-93 PRODUCT SPEC APPLICATION SPEC		<b>TE</b> TE Connectivity Ltd. NAME TERMINAL, SPADE TONGUE, SOLISTRAND 16-14 AWG
SIZE	CAGE CODE	DRAWING NO
A2	00779	C=36880
CUSTOMER DRAWING		RESTRICTED TO
SCALE	SHEET	REV
10:1	1 of 1	D2