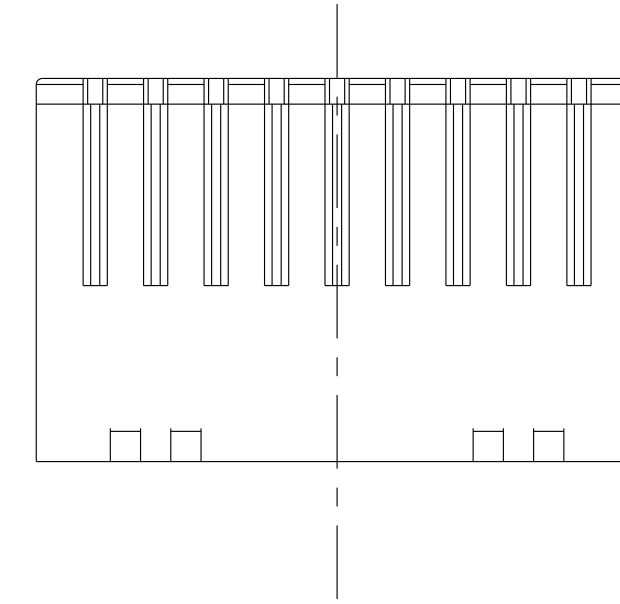
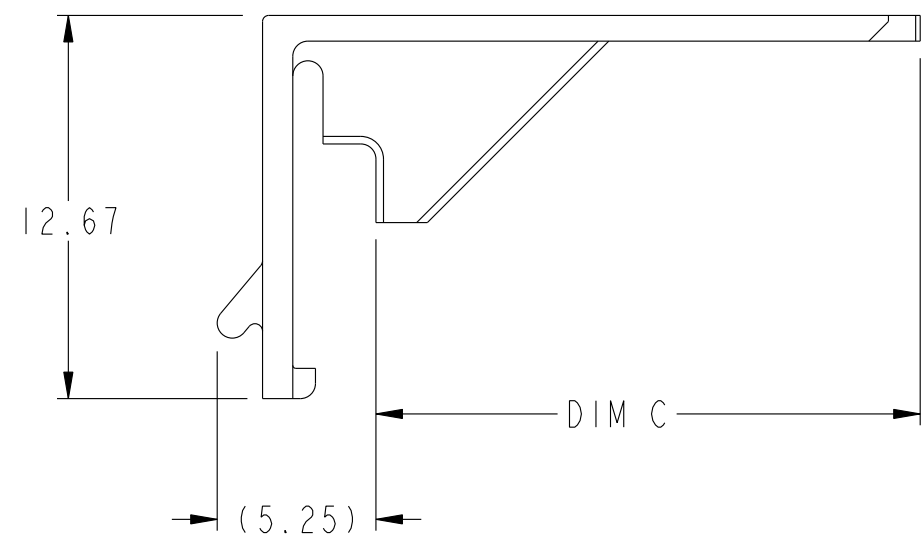
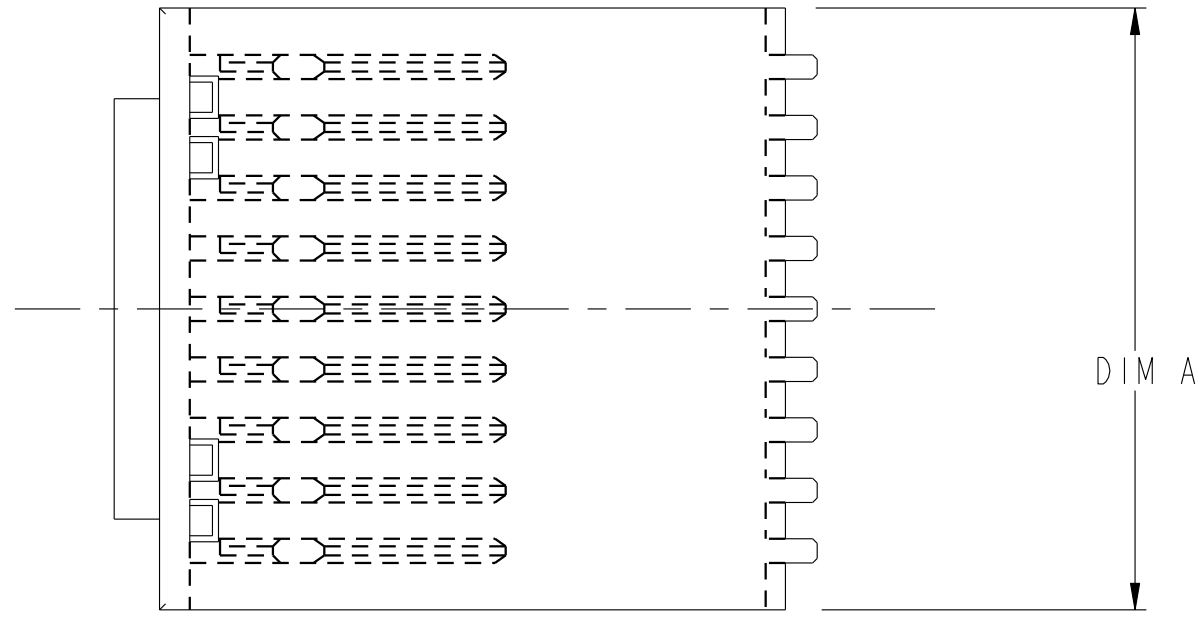


PRODUCT NUMBER  
SEE TABLE, SHEET 2

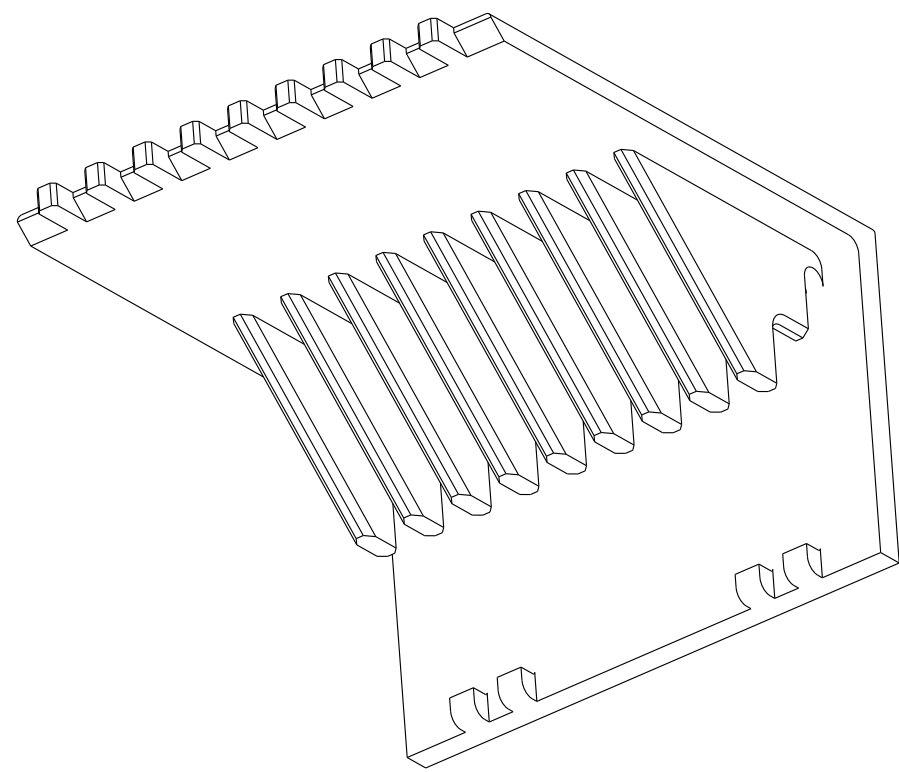


**CONFIDENTIAL**

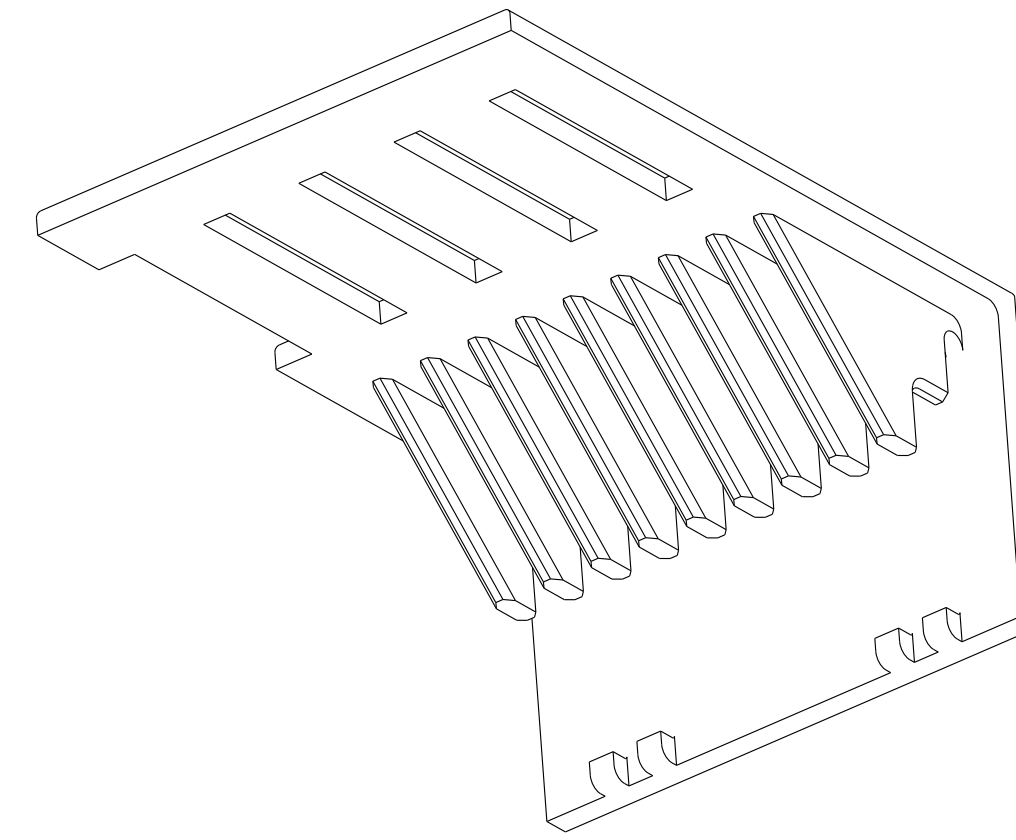
www.fciconnect.com				surface ASME Y14.5	tolerance std ASME Y14.5	projection MM	TOLERANCES UNLESS OTHERWISE SPECIFIED	
Dr	T. HOUTZ	2005-11-01	ANGULAR	0.X	±0.3	size	A2	Scale
Eng	C. H. TAN	2006-06-05	LINEAR	0.XX	±0.10	ECN	***	4:1
Chr	C. H. TAN	2007-06-04	0° ±2°	0.XXX	±0.050	Product family	-	Spec ref
Appr	JOEY NG	2007-06-04					-	-
				title AirMax COVER R/A HDR & RECPT - 5pr, 2mm		dwg no 10062848	Rev. B	
				catalog no CUSTOMER		sheet 1 of 2		

rev	ecn no	dr	date
A	S06-0199	CH	2006-06-05
B	S07-0055	LS	2007-06-04
-	-	-	-
-	-	-	-
-	-	-	-
-	-	-	-

PART NUMBER (NOTE 3)	CONNECTOR GENDER	NUMBER OF IMLAS	DIM A	DIM C
10062848-001LF	R/A HEADER	6	11.90	18.00
10062848-002LF	R/A HEADER	8	15.90	18.00
10062848-003LF	R/A HEADER	10	19.90	18.00
10062848-004LF	R/A RECEPT.	6	11.90	23.45
10062848-005LF	R/A RECEPT.	8	15.90	23.45
10062848-006LF	R/A RECEPT.	10	19.90	23.45



10062848-003LF SHOWN  
SCALE 4:1



10062848-006LF SHOWN  
SCALE 4:1

NOTES:

- MATERIAL: THERMOPLASTIC RESIN  
COLOR : BLACK,  
UL94V-0 COMPLIANT,  
MAXIMUM OPERATING TEMPERATURE  
IS 105°C.
- THIS PRODUCT IS NOT INTENDED TO BE EXPOSED  
TO A MANUFACTURING SOLDER PROCESS.
- THIS PRODUCT MEETS EUROPEAN UNION DIRECTIVES  
AND OTHER COUNTRY REGULATIONS AS DESCRIBED  
IN GS-22-008.
- PACKAGING MEETS GS-14-920 LEAD FREE  
LABELLING SPECIFICATION.

**CONFIDENTIAL**

	title AirMax COVER R/A HDR & RECPT - 5pr, 2mm	dwg no 10062848	Rev. B
	catalog no	CUSTOMER	sheet 2 of 2

Copyright FCJ. FCJ