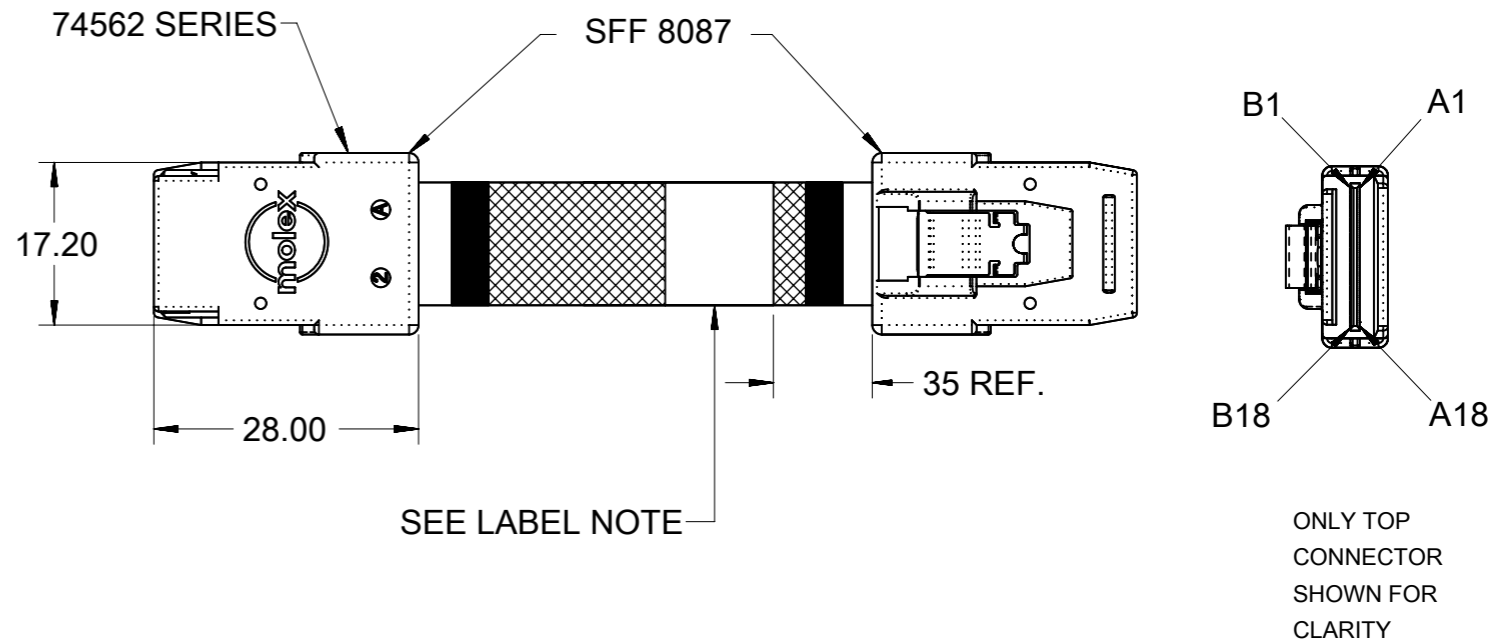
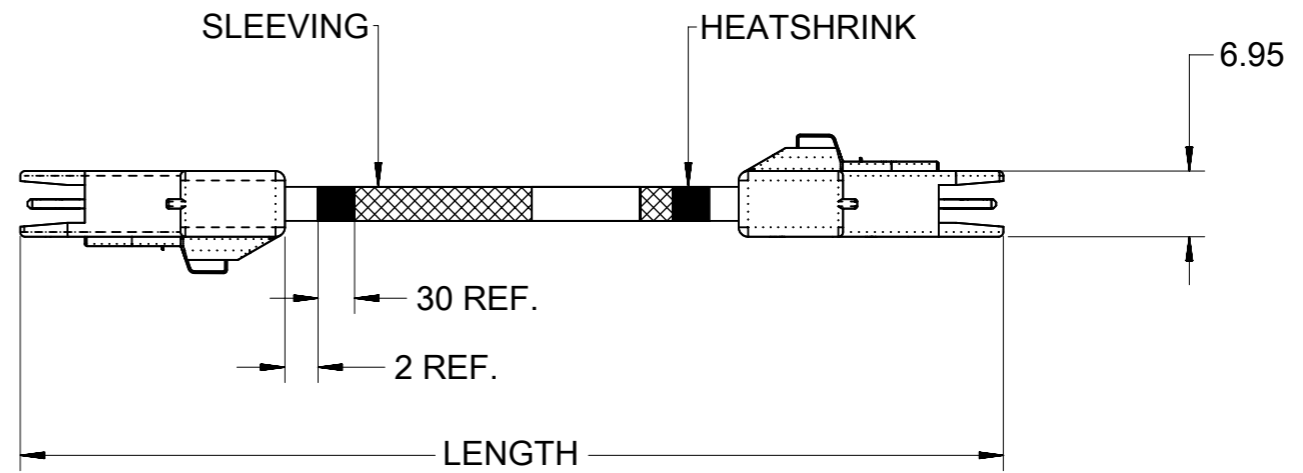


MOLEX P/N	SIDEBANDS	APPLICATION	SLEEVING	AWG	LENGTH(M)	TOL(+/-)	PIN OUT
795762100	YES	Ctrl to BP	YES	30	0.152	0.015	PIN OUT 1
795762102	YES	Ctrl to BP	YES	30	0.5	0.015	PIN OUT 1
795762103	YES	Ctrl to BP	YES	30	0.6	0.015	PIN OUT 1
795762107	YES	Ctrl TO BP	YES	30	0.225	0.015	PIN OUT 1
795762110	YES	Ctrl to CTRL	YES	30	0.152	0.015	PIN OUT 2
795762111	YES	Ctrl to CTRL	YES	30	0.3	0.015	PIN OUT 2
795762112	YES	Ctrl to CTRL	YES	30	0.5	0.015	PIN OUT 2
795762121	NO	N/A	YES	30	0.3	0.015	PIN OUT 3
795762122	NO	N/A	YES	30	0.5	0.015	PIN OUT 3
795762141	NO	N/A	YES	28	1.1	0.01	PIN OUT 3
795762142	NO	N/A	YES	28	2.1	0.01	PIN OUT 3
795762012	YES	Ctrl to CTRL	NO	30	0.5	0.015	PIN OUT 2

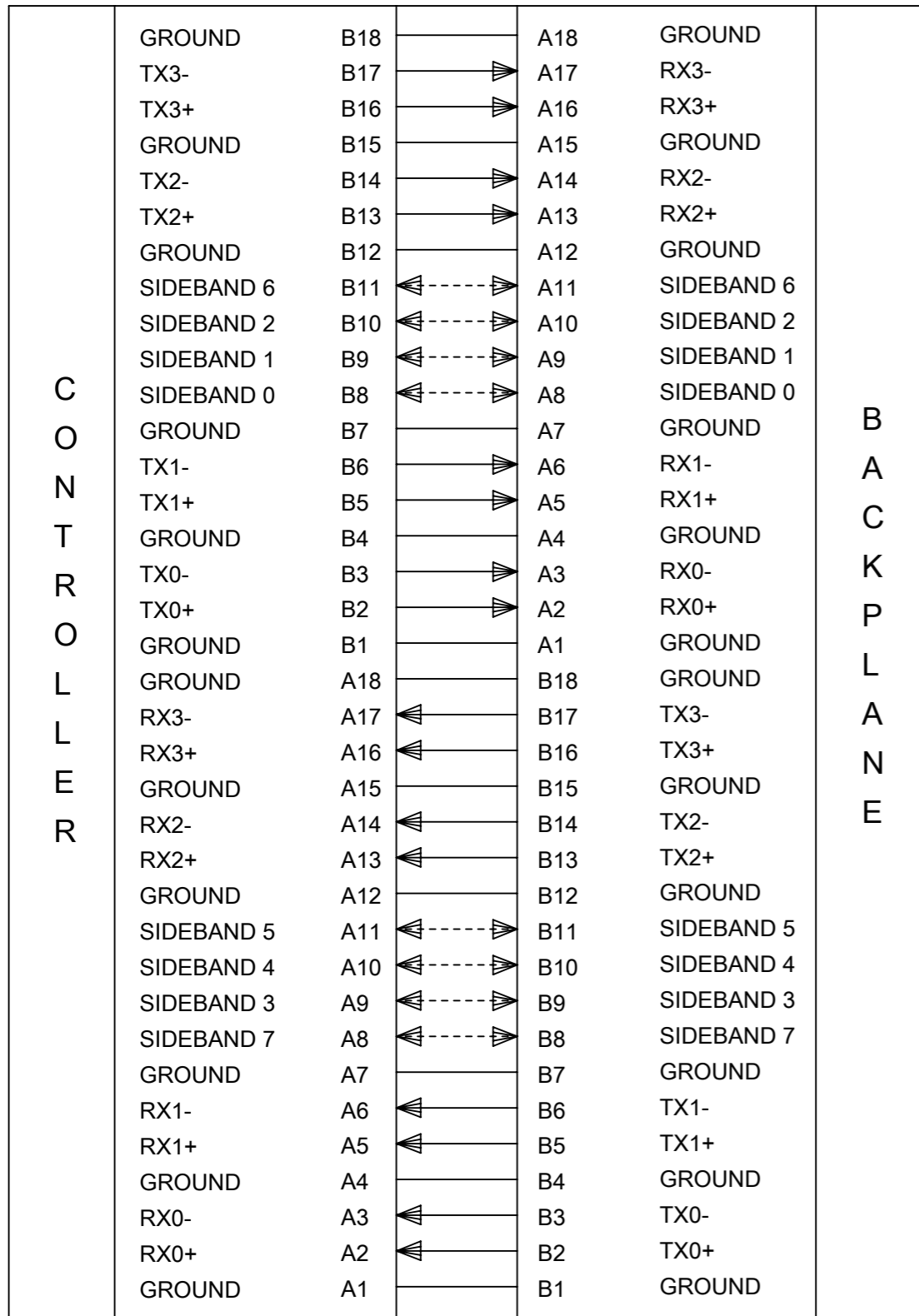


- NOTES:
- MATERIAL:
 - OVER MOLD - POLYBUTYLENE TEREPHTHALATE (PBT), 94-V0, GLASS FILLED 30%.
 - LATCH - STAINLESS STEEL ALLOY.
 - CABLE -
 - SIGNALS PVC INSULATION
 - SOLID COPPER SIGNAL AND DRAIN.
 - INNER DIELECTRIC IS POLYOLEFIN
 - TWIN-AX SHIELD IS ALUMINIZED POLYESTER FOIL.
 - JACKET - PVC RED
 - PCB - FR4
 - PRODUCT TO PERFORM PER
 - PRODUCT SPECIFICATION: PS-75783-001.
 - PRODUCT MATES TO 75783 (RIGHT ANGLE) AND 75784 (VERTICAL) SERIES.
 - THIS PRODUCT CONFORMS TO THE MECHANICAL DIMENSIONING AND ELECTRICAL PERFORMANCE REQUIREMENTS OF SFF-8087.
 - MINIMUM RECOMMENDED BEND RADIUS 28 MM.
 - THIS PRODUCT MEETS THE RESTRICTION OF HAZARDOUS SUBSTANCES IN ELECTRICAL AND ELECTRONIC EQUIPMENT (RoHS) DIRECTIVE (2002/95/EC)
 - LABEL INFO.
 - MOLEX
 - <<PART NUMBER>>
 - MADE IN XXXX (XXXX: MANUFACTURING LOCATION: US/ CHINA/ PHILIPPINES)
 - WW/YY

IPASS™ IS A TRADEMARK OF MOLEX.

THIS DRAWING CONTAINS INFORMATION THAT IS PROPRIETARY TO MOLEX ELECTRONIC TECHNOLOGIES, LLC AND SHOULD NOT BE USED WITHOUT WRITTEN PERMISSION											
DIMENSION UNITS		SCALE		CURRENT REV DESC: OBSOLETE PART NO						molex	
MM/IN		NTS									
GENERAL TOLERANCES (UNLESS SPECIFIED)				EC NO: 628455		DRWN: VLOKESHA		2019/12/03		IPASS (MINI-SAS)	
				DRWN: GB		2019/12/04		INTERNAL CABLE 36 CKT 4X W/ SIDEBANDS			
4 PLACES ±				APP: GGA		2020/01/13		PRODUCT CUSTOMER DRAWING			
3 PLACES ±				INITIAL REVISION:				DOCUMENT NUMBER		DOC TYPE	
2 PLACES ± 0.25				DRWN: JERWIN		2006/04/25		SD-79576-200		PSD	
1 PLACE ±				APP: DDOYE		2006/04/25		001		P1	
0 PLACES ±				ANGULAR TOL ± 1.0°				MATERIAL NUMBER		CUSTOMER	
DRAFT WHERE APPLICABLE MUST REMAIN WITHIN DIMENSIONS				THIRD ANGLE PROJECTION		DRAWING		SERIES		SHEET NUMBER	
				A3-SIZE		79576		SEE TABLE		GENERAL MARKET	
										1 OF 4	

F
E
D
C
B
A



B
A
C
K
P
L
A
N
E

P
I
N
O
U
T
1

NOTE:

1. PINOUT CONFORMS TO SAS 1.1 9.0D SECTION 5.2.4.1.2.3
2. ALL SIGNAL GROUNDS ARE BUSSED IN PCB.

IPASS™ IS A TRADEMARK OF MOLEX

THIS DRAWING CONTAINS INFORMATION THAT IS PROPRIETARY TO MOLEX ELECTRONIC TECHNOLOGIES, LLC AND SHOULD NOT BE USED WITHOUT WRITTEN PERMISSION											
DIMENSION UNITS		SCALE		CURRENT REV DESC: OBSOLETE PART NO						molex	
MM/IN		NTS									
GENERAL TOLERANCES (UNLESS SPECIFIED)				EC NO: 628455		DRWN: VLOKESHA		2019/12/03		IPASS (MINI-SAS) INTERNAL CABLE 36 CKT 4X W/ SIDEBANDS	
				CHK'D: GB		2019/12/04					
4 PLACES ±				APPR: GGA		2020/01/13		PRODUCT CUSTOMER DRAWING			
3 PLACES ±				INITIAL REVISION:		DRWN: JERWIN					
2 PLACES ±				APPR: DDOYE		2006/04/25		DOCUMENT NUMBER		DOC TYPE DOC PART REVISION	
1 PLACE ±				ANGULAR TOL ± 1.0°		SD-79576-200		PSD		001 P1	
0 PLACES ±				DRAFT WHERE APPLICABLE MUST REMAIN WITHIN DIMENSIONS		THIRD ANGLE PROJECTION		DRAWING		SHEET NUMBER	
						A3-SIZE		SERIES		79576	
						MATERIAL NUMBER		CUSTOMER		SEE TABLE GENERAL MARKET	

F

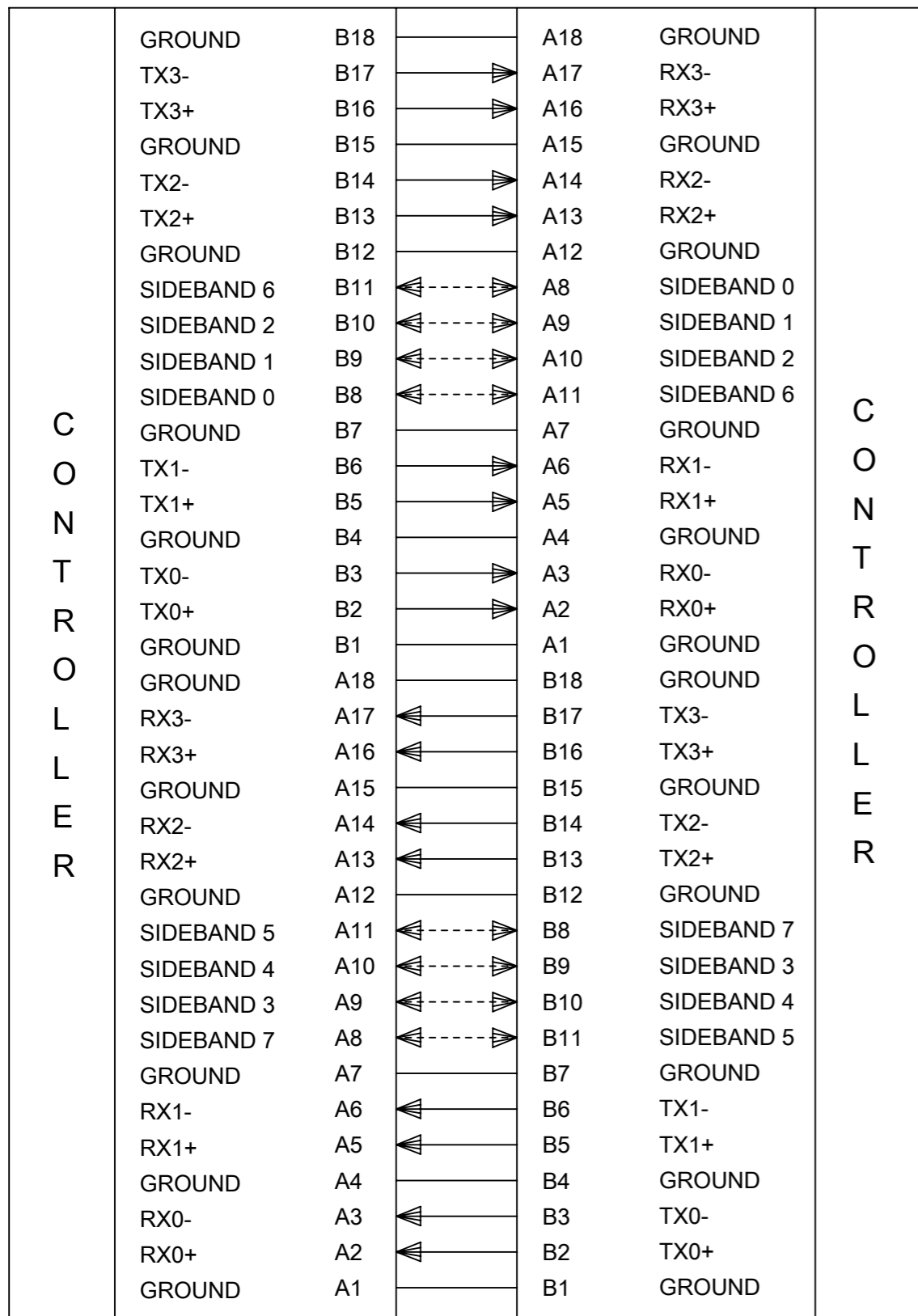
E

D

C

B

A



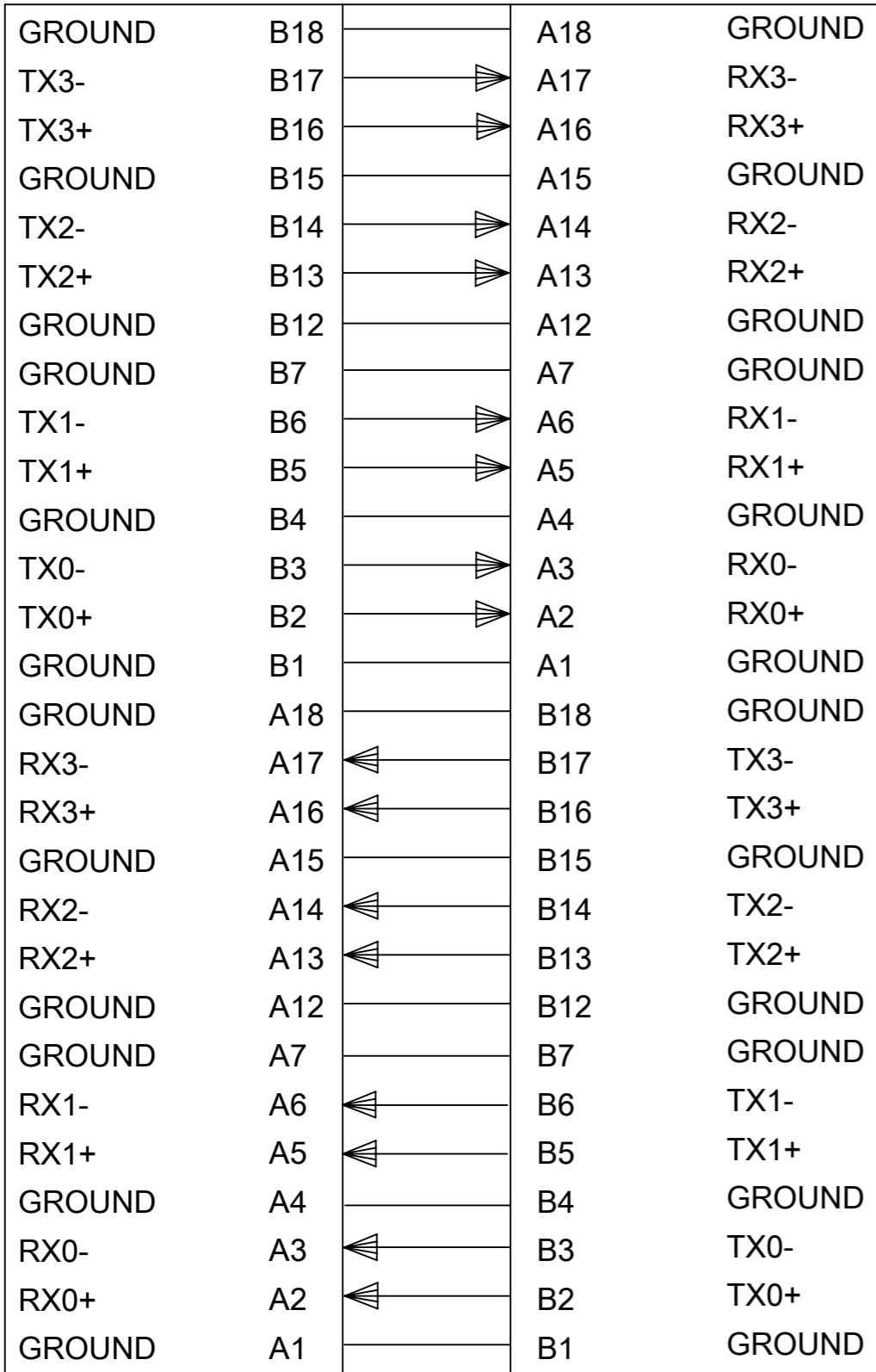
P I N O U T 2

NOTE

1. FOR CONTROLLER TO CONTROLLER.
2. ALL SIGNAL GROUNDS ARE BUSSED IN PCB.

IPASS™ IS A TRADEMARK OF MOLEX

THIS DRAWING CONTAINS INFORMATION THAT IS PROPRIETARY TO MOLEX ELECTRONIC TECHNOLOGIES, LLC AND SHOULD NOT BE USED WITHOUT WRITTEN PERMISSION											
DIMENSION UNITS		SCALE		CURRENT REV DESC: OBSOLETE PART NO							
MM/IN		NTS									
GENERAL TOLERANCES (UNLESS SPECIFIED)				EC NO: 628455		DRWN: VLOKESHA		2019/12/03		IPASS (MINI-SAS)	
				CHK'D: GB		2019/12/04		INTERNAL CABLE 36 CKT 4X W/ SIDEBANDS			
				APPR: GGA		2020/01/13		PRODUCT CUSTOMER DRAWING			
				INITIAL REVISION:				DOCUMENT NUMBER		DOC TYPE	
				DRWN: JERWIN		2006/04/25		SD-79576-200		PSD	
				APPR: DDOYE		2006/04/25		001		P1	
ANGULAR TOL ± 1.0°				THIRD ANGLE PROJECTION		DRAWING		SERIES		SHEET NUMBER	
DRAFT WHERE APPLICABLE MUST REMAIN WITHIN DIMENSIONS						A3-SIZE		79576		3 OF 4	



P
I
N
O
U
T
3

NOTE
 1. FOR NO SIDE BANDS
 2. ALL SIGNAL GROUNDS ARE BUSSED IN PCB.

IPASS™ IS A TRADEMARK OF MOLEX

THIS DRAWING CONTAINS INFORMATION THAT IS PROPRIETARY TO MOLEX ELECTRONIC TECHNOLOGIES, LLC AND SHOULD NOT BE USED WITHOUT WRITTEN PERMISSION											
DIMENSION UNITS		SCALE		CURRENT REV DESC: OBSOLETE PART NO						molex	
MM/IN		NTS									
GENERAL TOLERANCES (UNLESS SPECIFIED)				EC NO: 628455		2019/12/03		IPASS (MINI-SAS) INTERNAL CABLE 36 CKT 4X W/ SIDEBANDS			
		MM		INCH							
4 PLACES		±		±		DRWN: VLOKESHA		2019/12/04		PRODUCT CUSTOMER DRAWING	
3 PLACES		±		± 0.01		CHK'D: GB		2020/01/13			
2 PLACES		±		0.25		APPR: GGA		2020/01/13		DOCUMENT NUMBER SD-79576-200	
1 PLACE		±		±		INITIAL REVISION:		DOC TYPE			
0 PLACES		±		±		DRWN: JERWIN		2006/04/25		REVISION	
ANGULAR TOL		±		1.0°		APPR: DDOYE		2006/04/25		P1	
DRAFT WHERE APPLICABLE MUST REMAIN WITHIN DIMENSIONS				THIRD ANGLE PROJECTION		DRAWING		SERIES		SHEET NUMBER	
						A3-SIZE		79576		4 OF 4	
						MATERIAL NUMBER		CUSTOMER			
						SEE TABLE		GENERAL MARKET			