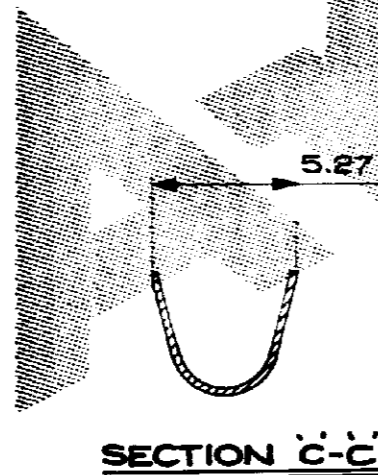
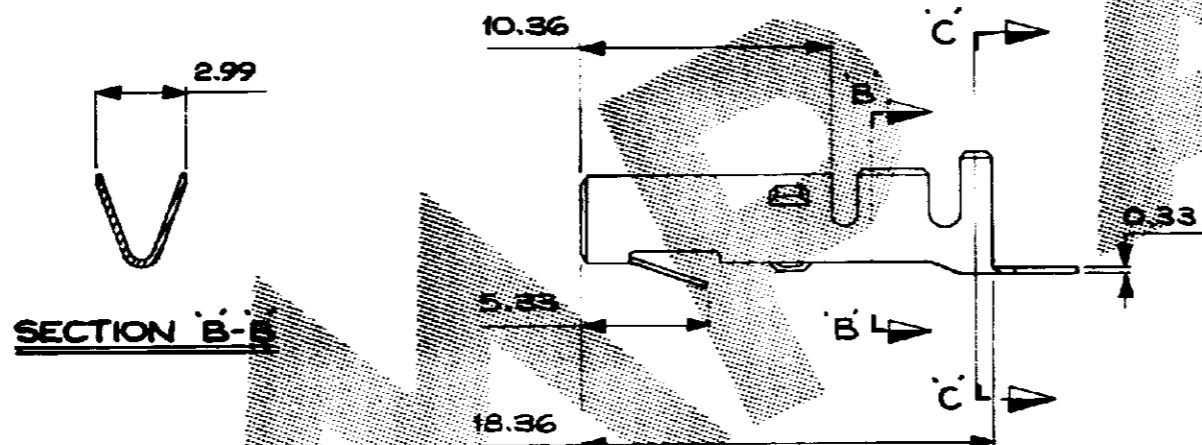
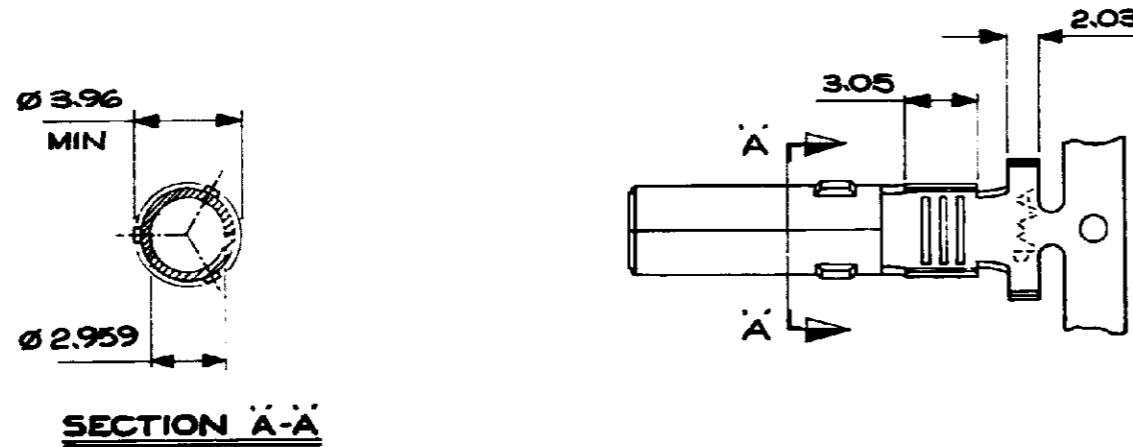


SHEET
1 of 1

DWG. NO.
C153211

DO NOT SCALE
DIMENSIONS IN m.m.

METRIC



NOTE:- PUSH-ON & PULL-OFF FORCES WITH THE RESPECTIVE COUNTERPART TO BE WITHIN 5-12N

PRE-TIN (REV REELED)	BRASS	1-153211-1
NONE (REV REELED)	BRASS	1-153211-2
SILVER	BRASS	153211-6
PRE-TIN	PHOS BRONZE	153211-5
ELECTRO TIN	BRASS	153211-4
NONE	PHOS BRONZE	153211-3
NONE	BRASS	153211-2
PRE-TIN	BRASS	153211-1

OTHER TREATMENT	FINISH	MATERIAL	PART NUMBER
CUSTOMER DWG			
FOR REFERENCE ONLY			
TOLERANCES UNLESS OTHERWISE STATED:-		INS. DIA. RANGE	WIRE RANGE SCALE
DEC ± 0.5		2.03 - 3.05	0.5 - 1.5mm ² 4:1
ANGLES ± 1°		AMP TERMINAL HOUSE of Great Britain Ltd STANMORE MIDD.	
DR. N.P. KORMENDY		NAME	
CHK/		3mm LANCED SOCKET	
APP.		A3	LOC. DWG. NO. SHEET
ISS REVISION RECORD DR DATE		E	C153211 1 of 1