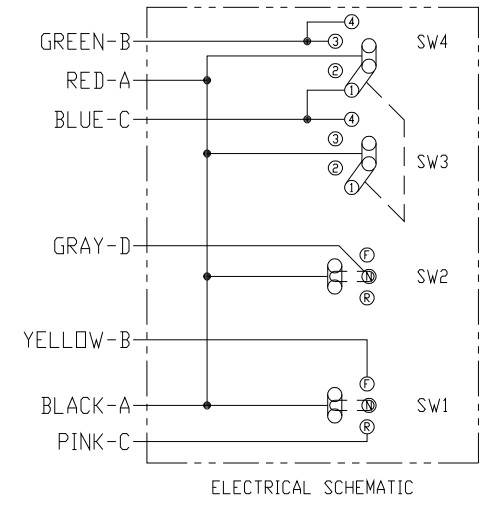
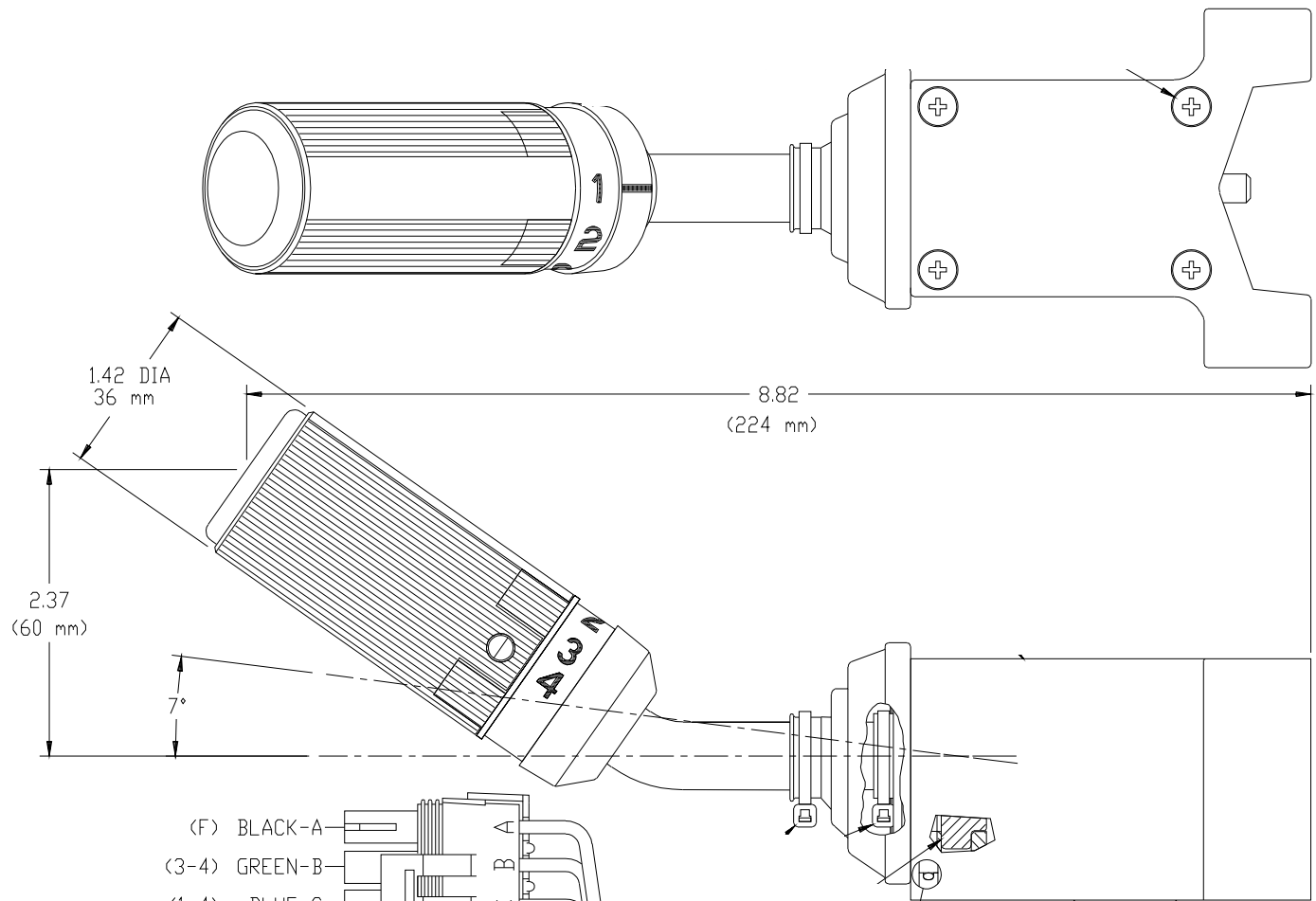


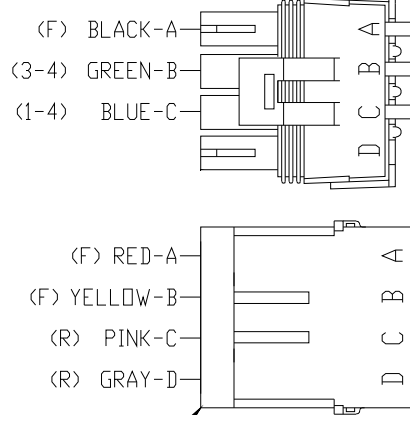
PART NUMBER		84467		REV.	C
DESCRIPTION OF CHANGE					
APPD.	REV.	DATE	PCN NO.	BY	
	A	27Aug98	30954	RF	
RELEASE FOR PRODUCTION					
	B	18Apr00	32219	RF	
REFLECT CHANGE TO 84594 HOUSING, HANDLE & C.B. ASSY					
	C	30Sep02	33201	RF	
REFLECT CHANGE TO ITEM 1-84594-HOUSING, HANDLE & C.B. ASSY					
THESE EDGES WITH PROTECTORS					



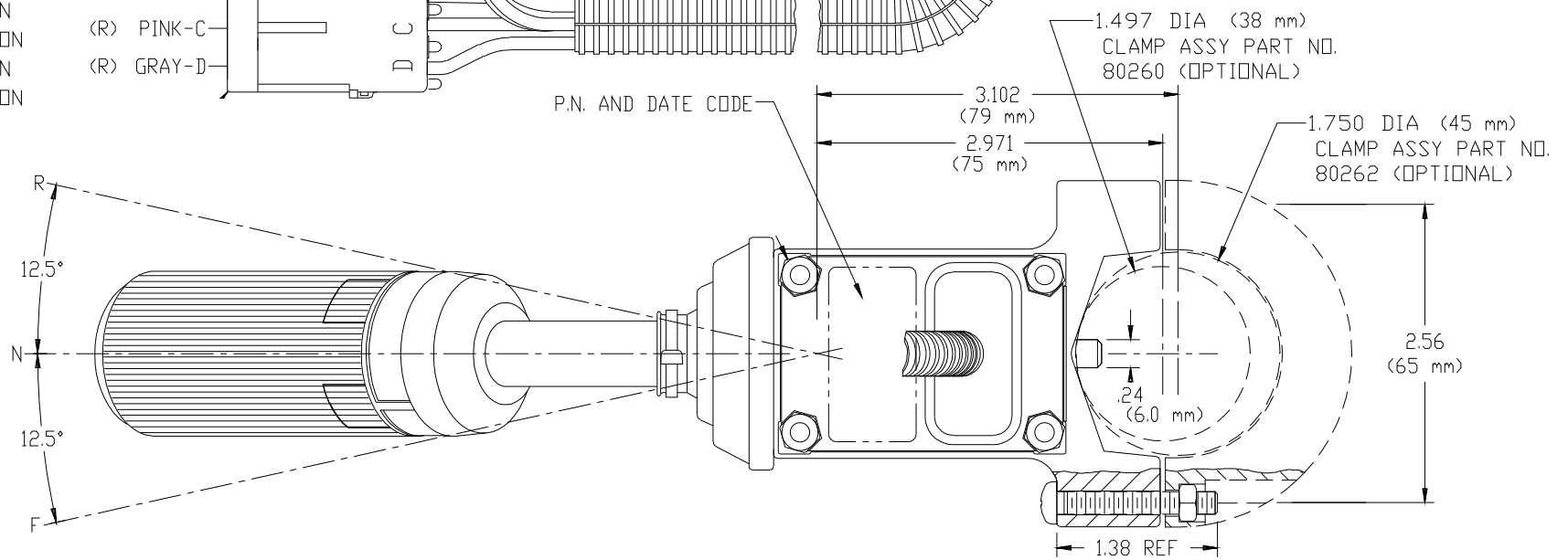
ELECTRICAL SCHEMATIC
SHOWN IN NEUTRAL

LEGEND

- | | | | |
|-----|--|-----|-----------------------|
| F | FORWARD POSITION | SW4 | SPEED SELECTOR SWITCH |
| N | NEUTRAL POSITION | 1 | FIRST GEAR POSITION |
| R | REVERSE POSITION | 2 | SECOND GEAR POSITION |
| SW1 | DIRECTION SELECTOR SWITCH (B POSITIVE) | 3 | THIRD GEAR POSITION |
| SW2 | NEUTRAL START SWITCH | 4 | FOURTH GEAR POSITION |
| SW3 | SPEED SELECTOR SWITCH | | |



PART NUMBER	84467	M
-------------	-------	---



CONNECTOR-PACKARD NO. 12015797
 TERMINAL NO. PACKARD NO. 12089188
 CABLE SEAL NO. 12015284
 MATING NO. 12010974
 CONNECTOR-PACKARD NO. 12010974
 TERMINAL NO. PACKARD NO. 12089040
 CABLE SEAL NO. 12010293
 MATING NO. 12015797

PROPRIETARY INFORMATION. PROPERTY OF HOBBS CORPORATION. SIM. TO: 82913				NAME	
J.W. HOBBS CORP. SPRINGFIELD, IL U.S.A.				SHIFTER ASSY 4X4 W/O HORN BUTTON	
DRAWN	CHECKED	TOLERANCES UNLESS OTHERWISE SPECIFIED		NEXT ASSY.	PART NUMBER
RF		X.X ± .020 X.XX ± .010 X.XXX ± .005			84467
DATE	SCALE	MATERIAL	FINISH		
7Jul98	1:1				
DO NOT SCALE	DKT. NO.				