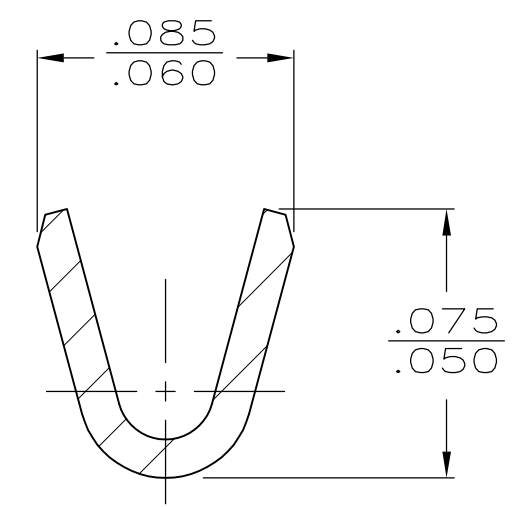
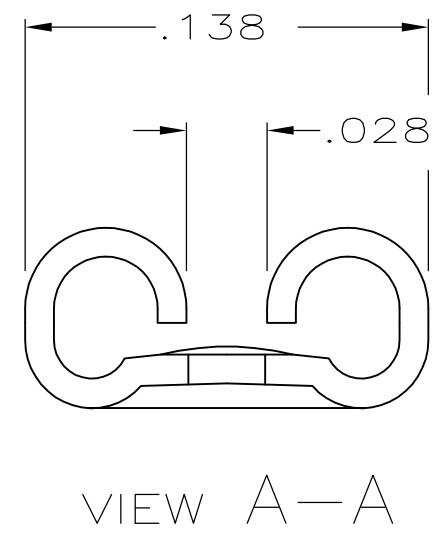
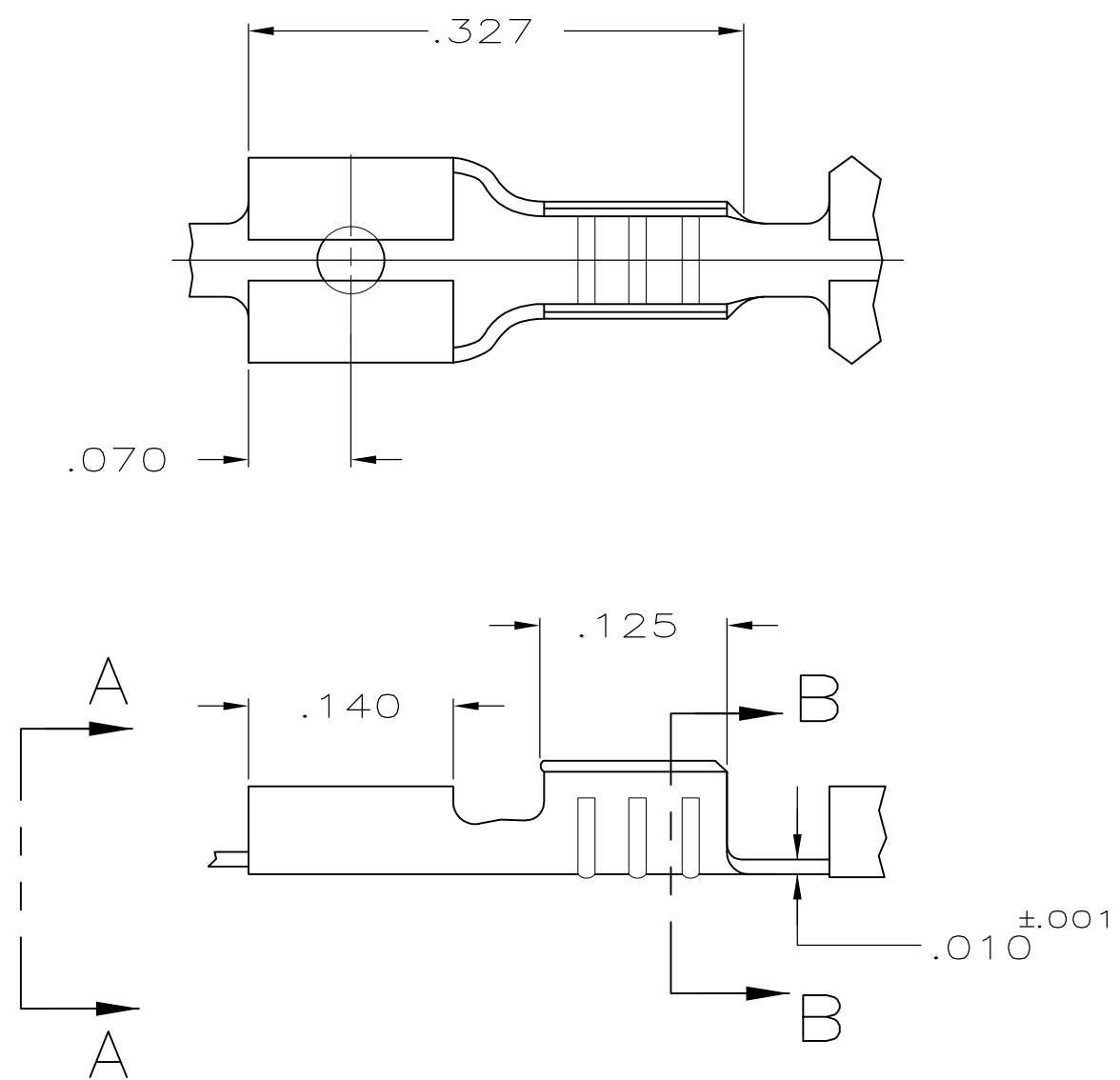



THIS DRAWING IS UNPUBLISHED. RELEASED FOR PUBLICATION
 © COPYRIGHT - By - ALL RIGHTS RESERVED.

LOC	DIST	REVISIONS			
P	LTR	DESCRIPTION	DATE	DWN	APVD
AF	50	D	REVISED PER ECR-12-013459	28NOV2012	KH PD

- 1 CONTINUOUS STRIP ON REELS.
- 2 WIRE SIZES #26-#22 AWG.
- 3 MATES WITH .016±.001 THK TAB.
- △4 SPECIAL REEL QUANTITY
- △5 PRELIMINARY - NOT FOR PRODUCTION



△4	-	△5 61818-3
	.000050 MIN NICKEL	61818-2
	-	61818-1
	FINISH	PART NO.

THIS DRAWING IS A CONTROLLED DOCUMENT.		DWN	JR RUTH	6/3/96	 TE Connectivity					
DIMENSIONS: INCHES		CHK	MS FEHER	6/3/96				NAME		
TOLERANCES UNLESS OTHERWISE SPECIFIED:		APVD	P DESANTIS	6/3/96						
0 PLC ± - 1 PLC ± - 2 PLC ± - 3 PLC ± .005 4 PLC ± - ANGLES ± 1°		PRODUCT SPEC		-						
MATERIAL		APPLICATION SPEC		-			RESTRICTED TO			
BRASS		FINISH		SEE TABLE			SCALE	8:1		
		WEIGHT		-			SHEET	1 OF 1		
		CUSTOMER DRAWING		A3 00779 C-61818			REV	D		