

FOI-5601 / TD-5601

4-WIRE S/T ISDN TRANSCEIVER

Overview

The FOI-5601 and TD-5601 provide complete electrical isolation for 4-wire S/T-Interface ISDN communications.

The unit can be used in areas of high electrical noise or in and out of RF shielded enclosures. The fiber optic cable is not susceptible to interference caused by impulse noise, crosstalk, or EMI. Privacy of communications is also enhanced because the fiber optic cable does not radiate any emissions. FiberPlex recommends "R" units for high security applications because the units have added filtering and shielding for RFI suppression.

In addition, fiber optic cable offers much longer transmission distances than copper wiring. Traditional S/T cabling is limited to a maximum distance of 2953ft (900m), but multimode optics on the unit can extend the distance to 2km, while singlemode optics can further extend the distance to 20km. A typical link consists of two FOI-5601, one at each end of the network, with a duplex fiber optic cable between them.



Features:

- Data Rate: 192 kbps
- Compliant with:
 - CCITT I.430
 - ANSI T1.605
- Supports ISDN BRI (Basic Rate Interface) services, also known as BRA (Basic Rate Access)
- 2B+D data passes transparently

Applications:

- ISDN Primary BRI Extension
- ISDN T Interface Extension
- ISDN S Bus Interface Extension
- PBX Link
- SATCOM Link

What's the difference between the FOI and the TD versions?

Functionally, the FOI-5601 and TD-5601 are identical. The only differences are the packaging and power supply. The FOI-5601 is part of the FOI line of products designed for ruggedized military applications while the TD-5601 is housed in the commercial 'Throw Down' packaging.

| | FOI-5601 | TD-5601 |
|-------------------------|--|--|
| Standalone Power | Requires a PSQ-4909 AC supply or PSQ-4920 DC supply | Power Supply included |
| Power Connection | High Reliability Lemo™ connector | Both circular DC connector and 3-position Phoenix™ quick connect |
| Chassis Mounting | Uses the RMC series chassis for up to 9 units in 2U or 8 units with redundant power supply | 6 units in a 1U with the optional TDR-01-AC |
| Case | Mil-style sealed steel can enclosure | Durable anodized brushed aluminum |

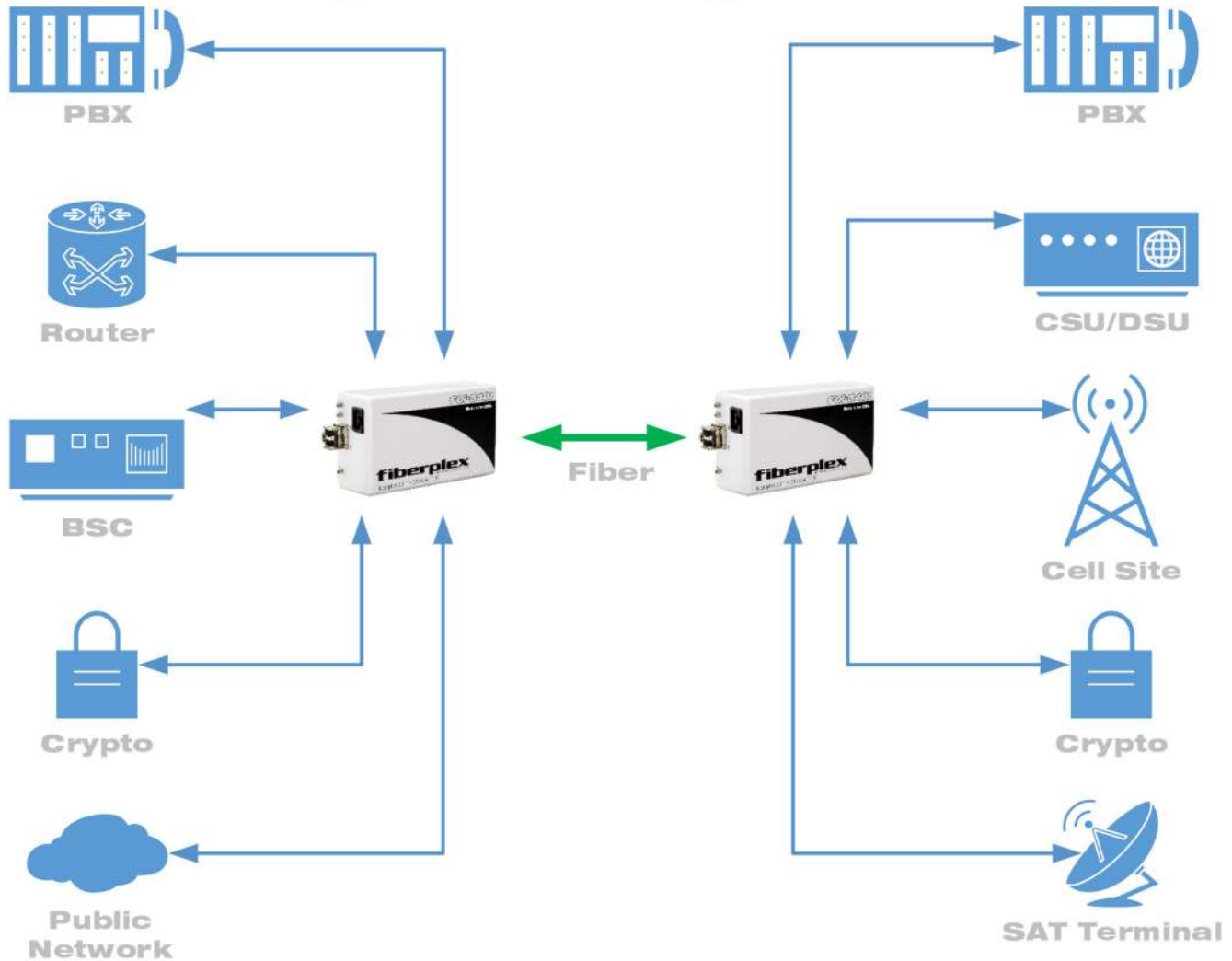
Typical Applications

A standard link would consist of either a FOI-5601 or TD-5601 at each end of a fiber cable connection. Due to the flexible nature of SFP modules, the SFP version of this unit can accommodate a variety of singlemode, multimode, BiDi or CWDM optical modules providing maximum flexibility. These units create a simple plug and play point to point fiber extension for S/T circuits which makes deployment of application to application and circuit extensions fast and easy.

For mission critical and defense applications, the FOI version has several redundant powering chassis mount options. The TD version is designed for commercial and industrial applications and has a variety of mounting options including DIN rail, NEMA enclosures and 1U rack tray mounting.

See the diagram on page 2 for a diagram of typical endpoints that can be supported by the FOI-5601 and TD-5601.

Typical Point to Point Applications



Ordering Information

| FOI-5601 Accessories | | Part Number | Optical Interface: T22 = multimode, 1310nm, 2km, ST L22 = multimode, 1310nm, 2km, LC T5B = singlemode, 1310nm, 20km, ST L5B = singlemode, 1310nm, 20km, LC C = SFP cage, no optical module <i>Other Optical interfaces available on our custom Catalog</i> |
|----------------------|--|----------------|---|
| PSQ-4909 | Power Supply for size 4 FOI type isolators stand-alone configuration | FOI-5601 - T5B | |
| WMA-3002 | Wall mount adapter for FOI type isolators | | |
| RMC-3101 | 19" Rack mount chassis, 5 1/4" (3U) for FOI type isolators | FOI-5601 - T5B | |
| CMA-3002 | Chassis Mounting Adapter for FOI type isolator | | |
| TD-5601 Accessories | | FOI-5601 - T5B | Series: FOI = Rugged Mil-Grade Housing TD = "Throw Down" Aluminum Housing |
| TDR-01-AC | 6 Position Rear Connect Powered Rack for TD Series Modules | | |
| TDP | 6 Position Front Connect Powered Rack for TD Series Modules | | |
| TTM | 6 Position Truss Mount AC Powered Rack for TD Series Modules | | |

For a complete list of chassis and accessories see http://fpx.lc/all_accessories