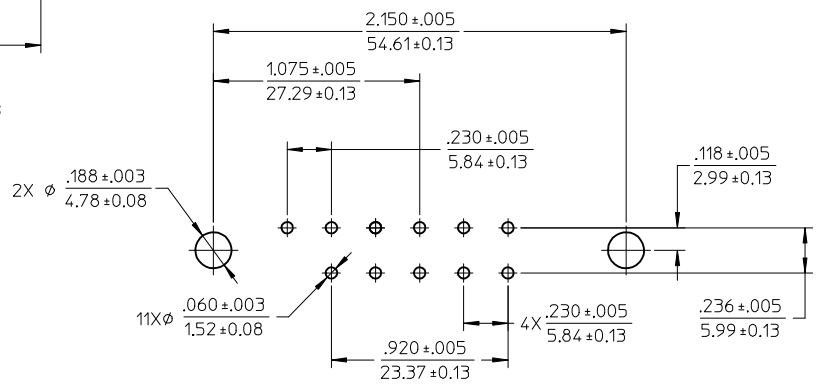
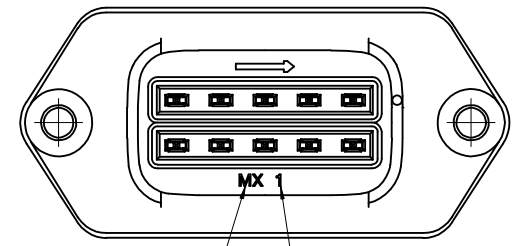
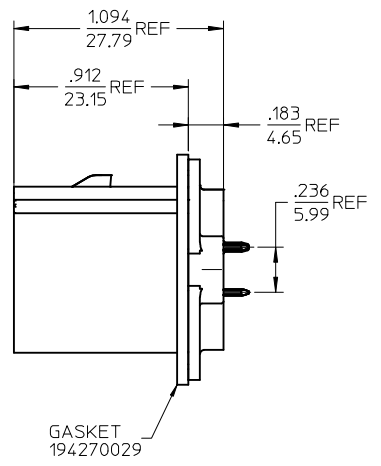
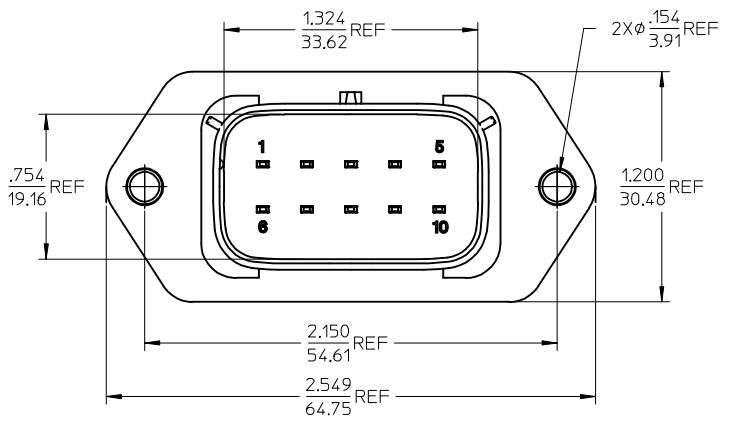


RECOMMENDED PANEL CUTOUT
MAX PANEL THICKNESS .080/2.03



RECOMMENDED PCB LAYOUT
COMPONENT VIEW
TOLERANCES ARE NON-ACCUMULATIVE



MATERIAL NUMBER	TERMINAL PLATING
194280014	TIN
194280030	SELECT GOLD/TIN

- NOTES:
- MATERIALS:
HOUSING: POLYESTER (PBT), GLASS FILLED, UL94 V-0,
COLOR: BLACK
TERMINALS: COPPER ALLOY
 - FINISHES: 1. TIN ONLY: 100µN TIN OVER 50µN NICKEL
2. TIN/GOLD: 30µN SELECT GOLD (CONTACT MATING AREA),
100µN SELECT TIN (PCB TAIL AREA) OVER 50µN NICKEL OVERALL.
 - PRODUCT SPECIFICATION: PS-19428-001.
 - PACKAGING SPECIFICATION: PK-19428-002.
 - MATES WITH: 19418 SERIES RECEPTACLE ASSEMBLIES.

ADD NOTES FOR MX LOGO CAM # 19428-006	DRW:WLEUNG 2015/01/07	QUALITY SYMBOLS
	CHKD:TOLDEGE 2015/01/07	▽=0
APP:RWOODMAN 2015/01/15	DESCRIPTION	▽=0
REV		

GENERAL TOLERANCES (UNLESS SPECIFIED)	
mm	INCH
4 PLACES ± .015	± .015
3 PLACES ± .015	± .015
2 PLACES ± 0.38	± .015
1 PLACE ± .015	± .015
ANGULAR ± 1°	
DRAFT WHERE APPLICABLE MUST REMAIN WITHIN DIMENSIONS	

DIMENSION STYLE	
IN/MM	
DRAWN BY	DATE
BRUPERT	04/06/16
CHECKED BY	DATE
JPAWLICK	04/06/16
APPROVED BY	DATE
RDEROSS	04/06/16
MATERIAL NO.	
SEE CHART	
SIZE	
THIS DRAWING CONTAINS INFORMATION THAT IS PROPRIETARY TO MOLEX INCORPORATED AND SHOULD NOT BE USED WITHOUT WRITTEN PERMISSION	

SCALE	DESIGN UNITS	THIRD ANGLE PROJECTION
2:1	INCH	
TITLE		
10-WAY STRAIGHT HEADER ASSEMBLY, SHORT VERSION		
MOLEX MOLEX INCORPORATED		
DOCUMENT NO.	SHEET NO.	
SD-19428-006	1 OF 1	