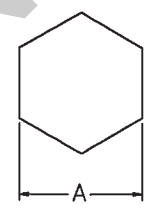
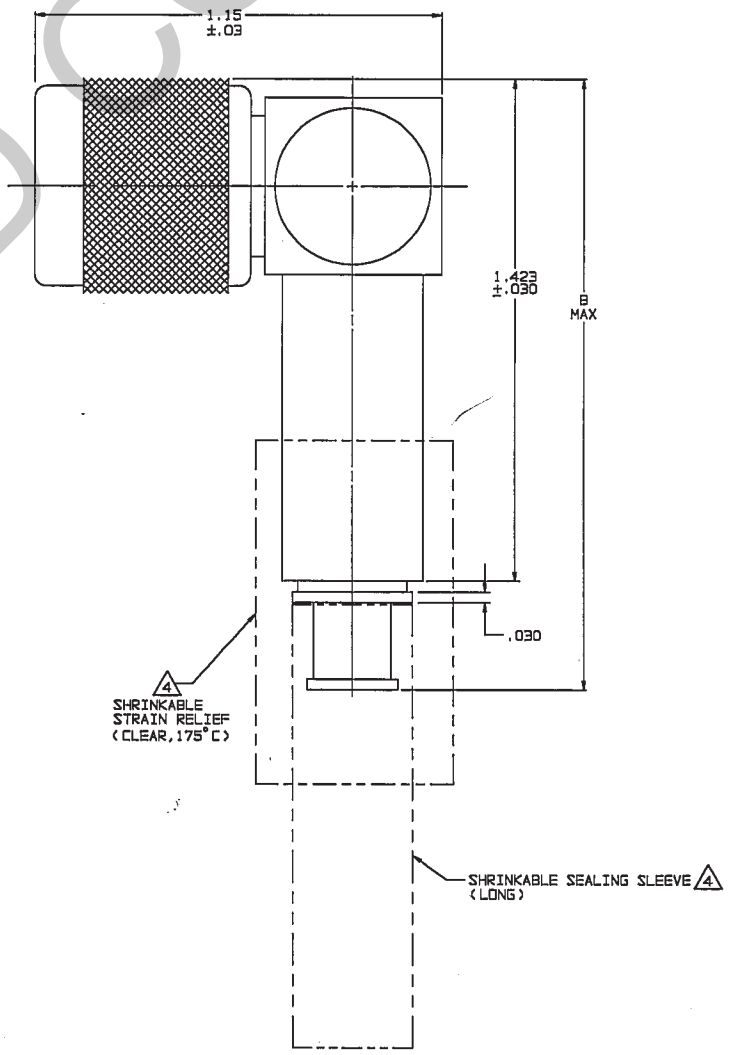
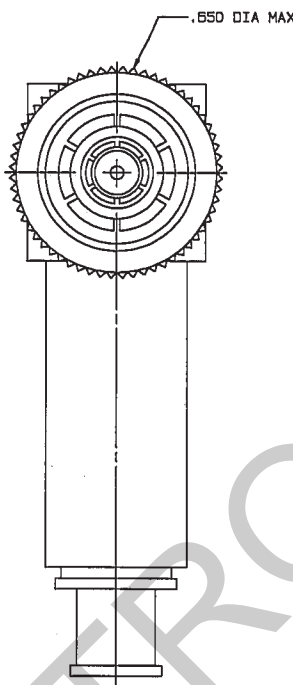


RED INDICATES ORIGINAL

REV	ED	DESCRIPTION	DWN	APPROVED	DATE
K	12387	ADDED -224 & -225; ADDED NOTE [4] SHEET 2; SEE ECD	DKC	W. AM.	7/22/98

DASH NO	CABLES ACCOMMODATED	A HEX	B DIM	ASSEMBLE PER	INCH	MM
-201	M17/176-00002				.005	0.13
-202	TWC-7B-1				.030	0.76
-203	TWC-124-1A				.344	8.74
-204	10602 RAYCHEM				.650	16.51
-205	TWAC-7B-1F2				1.00	25.40
-206	782600130 RAYCHEM		1.79	TAI-169	1.15	29.21
-207	83310 BELDEN				1.25	31.75
-208	202-3927 MICRODOT				1.423	36.14
-209	202-3942 MICRODOT				1.51	38.35
-210	8451 BELDEN				1.75	44.45
-211	202-3934 MICRODOT				1.79	45.47
-212	2524E0114 RAYCHEM					
-213	TWC-7B-2					
-214	TWC-124-2		1.51	TAI-161		
-215	BL-982 TIMES					
-216	BL-1242 TIMES					
-217	GCB75TM24H GRUMMAN	.344				
-218	EPD 221888 RAYCHEM					
-219	2526D114, RAYCHEM					
-220	GCB75RR1, GRUMMAN		1.79	TAI-169		
-221	10614, RAYCHEM					
-222	10613, RAYCHEM					
-223	HMS2-1149, HUGHES					
-224	TWCP-124-3		1.51	TAI-161		
-225	PS865PL, PRIME STOCK					
-301	GCB75GC1, GRUMMAN					
-302	GCB75GB1, GRUMMAN					
-303	7528A5314, RAYCHEM		1.79	TAI-154		
-304						
-305	M17/177-00001, THERMATICS					
-306	TRC-50-2		1.51	TAI-178		
-307	M17/134-00002					
-308	TRC-75-1		1.79	TAI-154		
-309	TRC-75-2		1.51	TAI-178		
-309	TRC-50-1		1.79	TAI-154		



- 6. EXAMPLE OF COMPLETE MODEL NO:

PLR375C - 201
BASIC MODEL NO CABLE GROUP DASH NO
- 5. IF SAFETY WIRE TYPE REQ'D ADD SUFFIX "S" TO MODEL NO. (PLR375CS)
- 1 SHRINKABLE STRAIN RELIEF AND/OR SHRINKABLE SEALING SLEEVE SUPPLIED LOOSE AS FOLLOWS:
 - a. CABLE GROUPS -201 THROUGH -210, -217 THROUGH -303, -305, -307 & -309
 - 1 SHRINKABLE STRAIN RELIEF (1.00 LONG)
 - 1 SHRINKABLE SEALING SLEEVE (1.25 LONG)
 - b. CABLE GROUPS -211 THROUGH -216, -306 & -308
 - 1 SHRINKABLE STRAIN RELIEF (1.75 LONG)
- 3. THREADED BAYONET CONCENTRIC TWINAX/TRIAx TRB RIGHT ANGLE FULL CRIMP CABLE PLUG
- 2. FINISH: TFS-1A (NICKEL)
- 1. ALL DIM ARE IN INCHES

-201 SHOWN

QTY	DESCRIPTION	PART NUMBER	ITEM
TOL UNLESS SPECIFIED			
.XX ± .005			
.XXX ± .005			
.XXXX ± .005			
ANGLES			
DWN	DKC 5-18-98	MATERIAL	CODE IDENT
CHK	1AM 6-8-98	14949	310-0074
ENGR			
APPR	W. AM. 7/16/98	SCALE 4/1	DATE 8/29/98 SHEET 1 OF 2