

Style

M8 Socket, shielded
4 pin
A-coding

Ratings

Voltage: 30 V
Current: 3 A

Operating Temperature Range

-40~105 °C

Materials

- ① Insulator: PA66, UL 94 HB, black
- ② Pin: C3604 brass, gold flashing
- ③ Nut: C3604 brass, nickel plated
- ④ Shell: C3604 brass, nickel plated
- ⑤ O-ring: Nitrile rubber, black & green

Electrical Requirements

Dielectric strength: 1 min @ 500 Vac
Insulation resistance: 100 M Ω @ 500 Vdc
Contact resistance: 10 m Ω or less

Mechanical Requirements

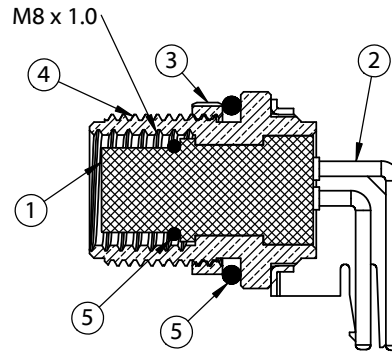
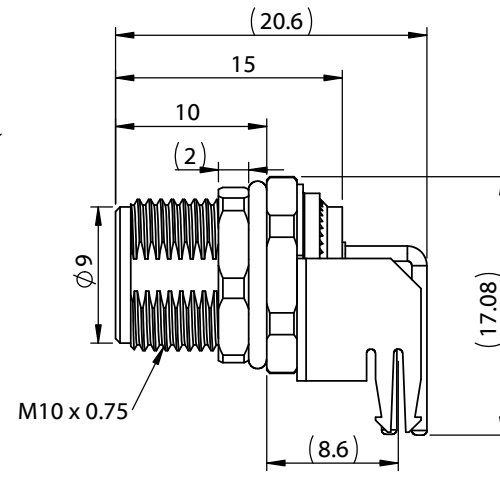
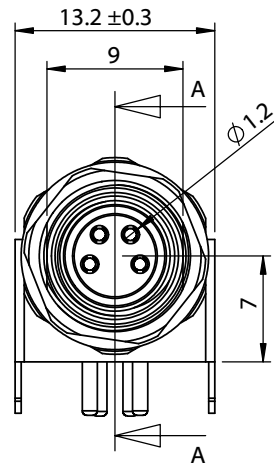
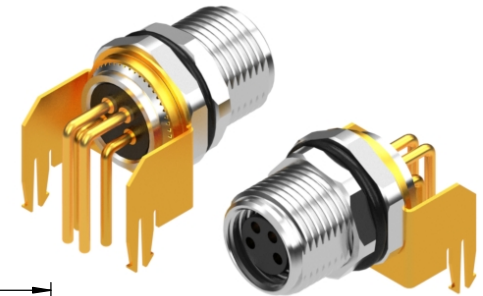
Life cycle: 1000 mating cycles minimum

Environmental Requirements

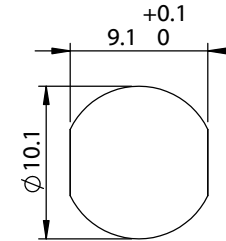
Salt spray test: 35 °C, relative humidity 90-95%, 5% NaCl mist for 24 hrs. Wash parts after test. Maintain mechanical requirements and a contact resistance of less than 10 m Ω .
Waterproof: IP67 (in mated state). IP67 panel ingress requires sealing cap



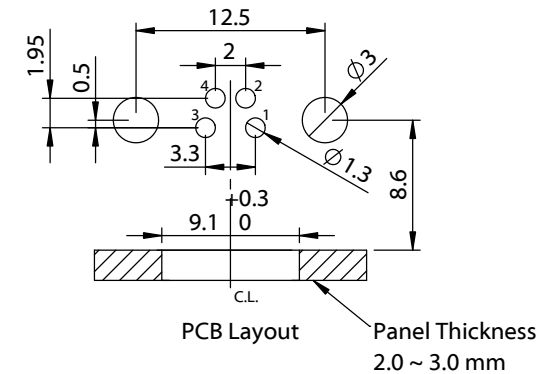
Front View
Not to Scale



SECTION A-A



Panel Cut-Out



PCB Layout

Panel Thickness
2.0 ~ 3.0 mm

Revision:	Date:	Description:	Prepared:	Notes:	<h1>TENSILITY</h1> <p>tel 1.541.323.3228 800 877.670.7118 fax 1.541.323.4202 web tensility.com</p>
A	8/23/21	Initial Release	AG <small>Digitally signed by AG Date: 2023.06.20 13:45:58 -07'00'</small>	RoHS compliant	
			Verified: PB <small>Digitally signed by PB Date: 2023.06.20 16:46:21 -07'00'</small>	Function test: no open, no short circuit, no intermittent	
			Dimensions are in millimeters. Tolerances: X: ± 0.3 mm X.X: ± 0.1 mm X.XX: ± 0.05 mm	Description: Connector, 4 pin M8 A-code socket, 8x20.6 mm, gold plated, PCB mount 90°, IP67	
				Size: Part number: A 54-00274	
				Scale: 2:1	Sheet 1 of 1