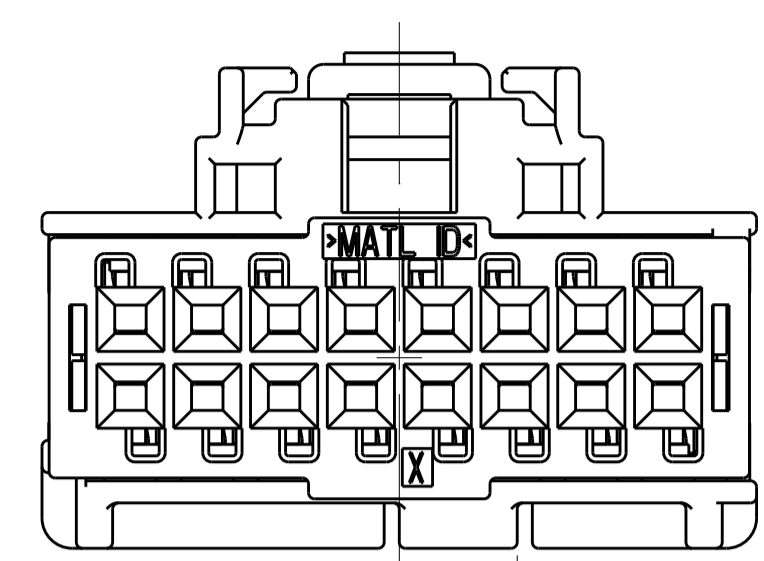
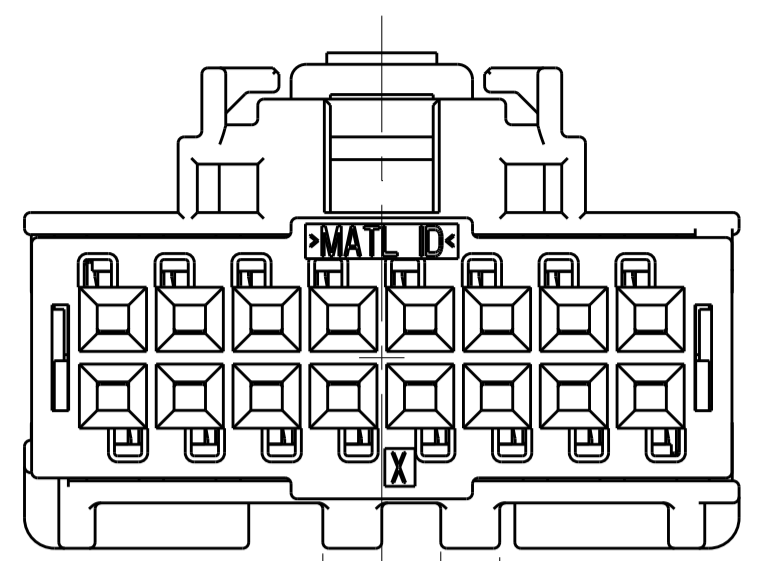


REVISIONS					
P.	LTN	DESCRIPTION	DATE	DMN	APVD
A		REVISED PER ECR-07-004005	20FEB2007	HM	DF
A1		REVISED ECO 07-023917	19OCT2007	DLD	DJZ
A2		REVISED PER ECO-19-016644	11NOV2019	JMS	CM



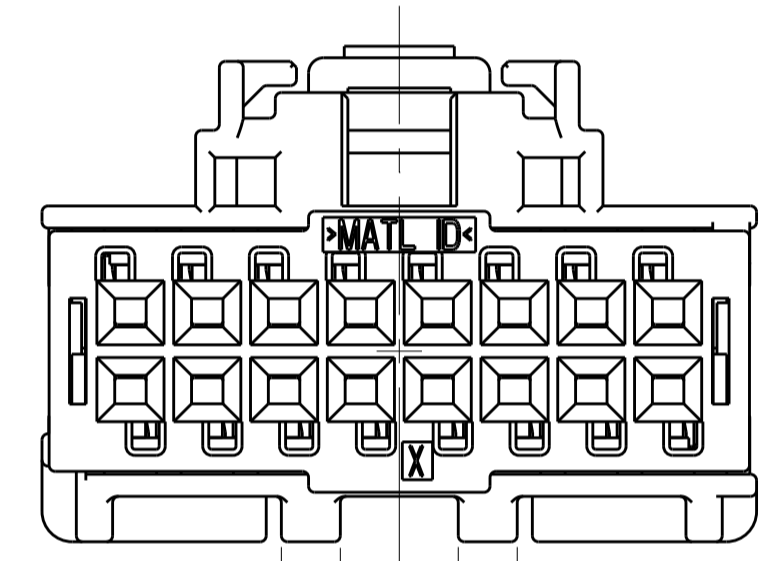
(3.90)

KEYING CODE "C"  
SCALE 4:1



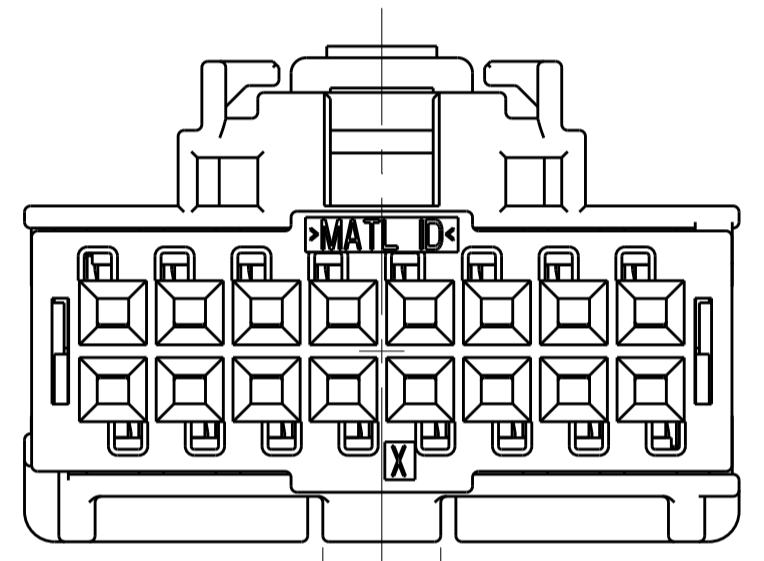
(1.95) (1.95) (3.90)

KEYING CODE "D"  
SCALE 4:1



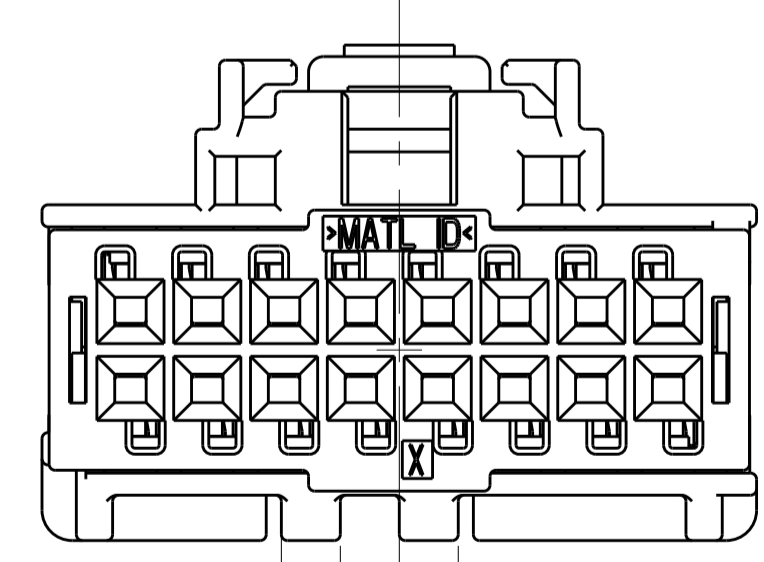
(1.95) (1.95) (3.90) (3.90)

KEYING CODE "E"  
SCALE 4:1



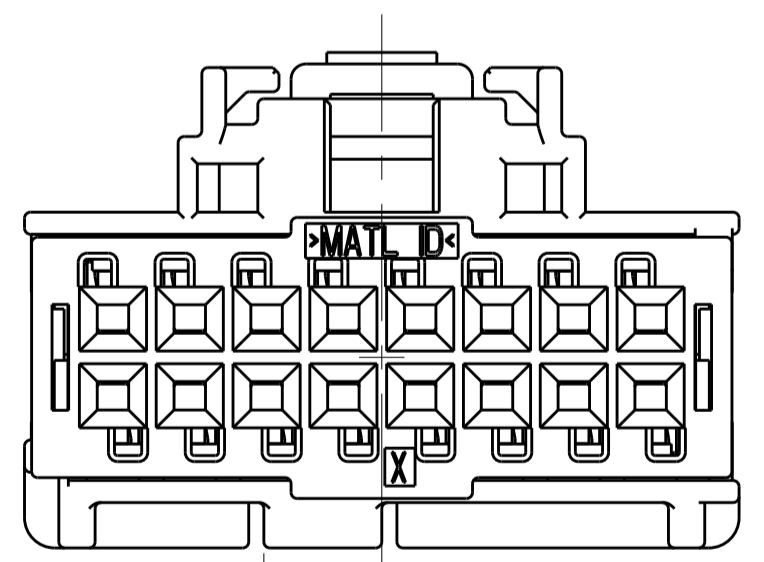
(1.95) (1.95)

KEYING CODE "F"  
SCALE 4:1



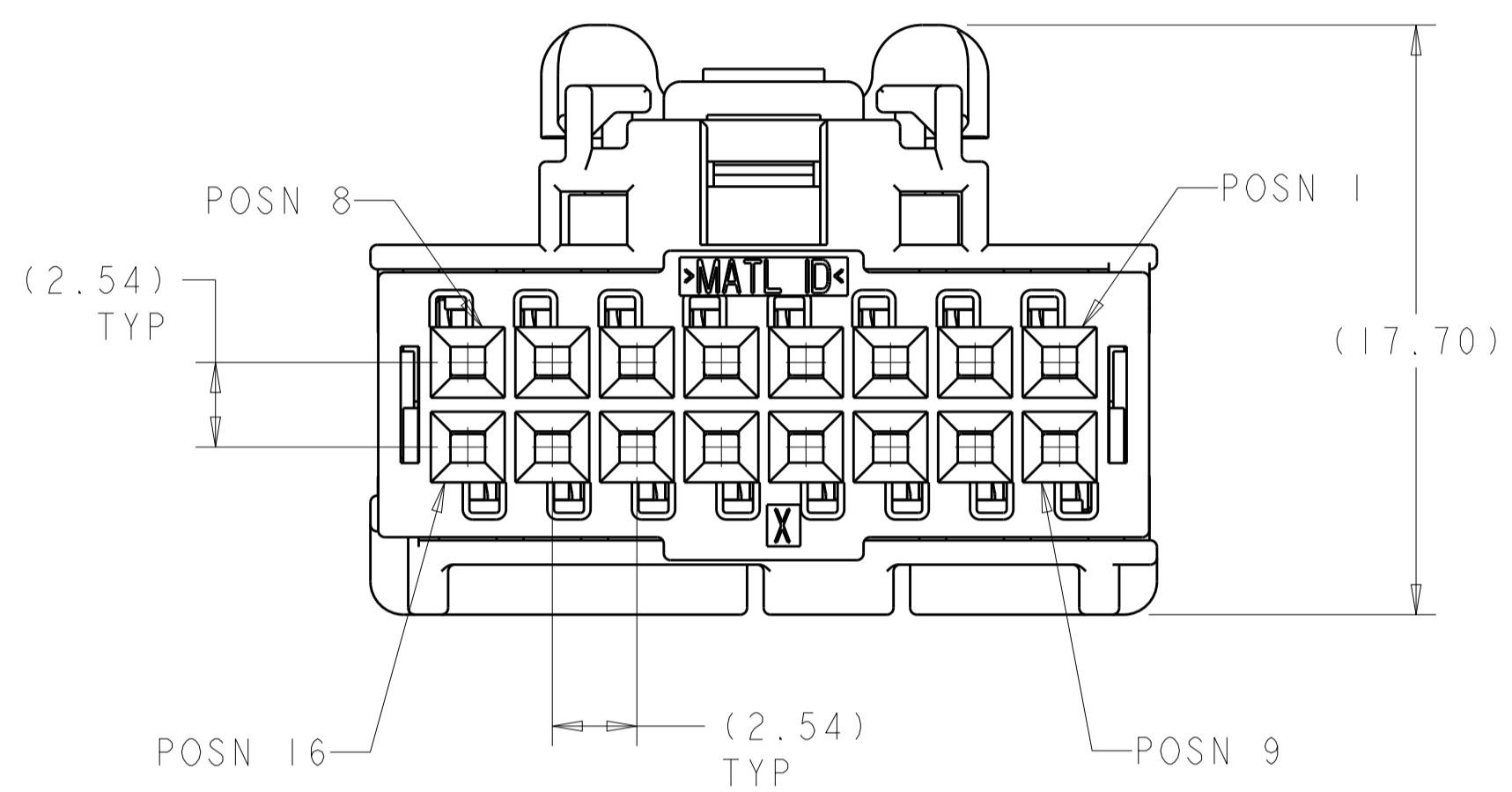
(1.95) (1.95) (3.90)

KEYING CODE "G"  
SCALE 4:1



(3.90)

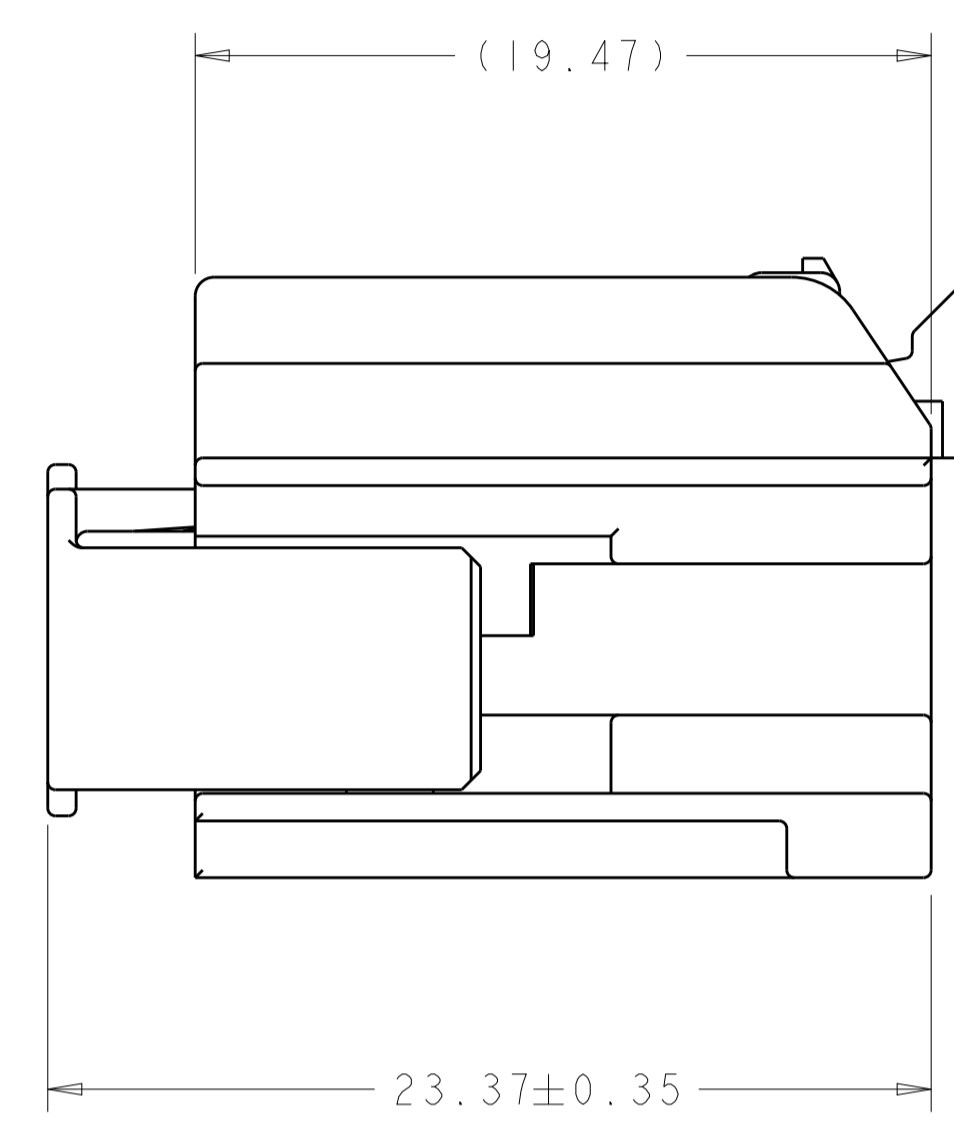
KEYING CODE "H"  
SCALE 4:1



(17.70)

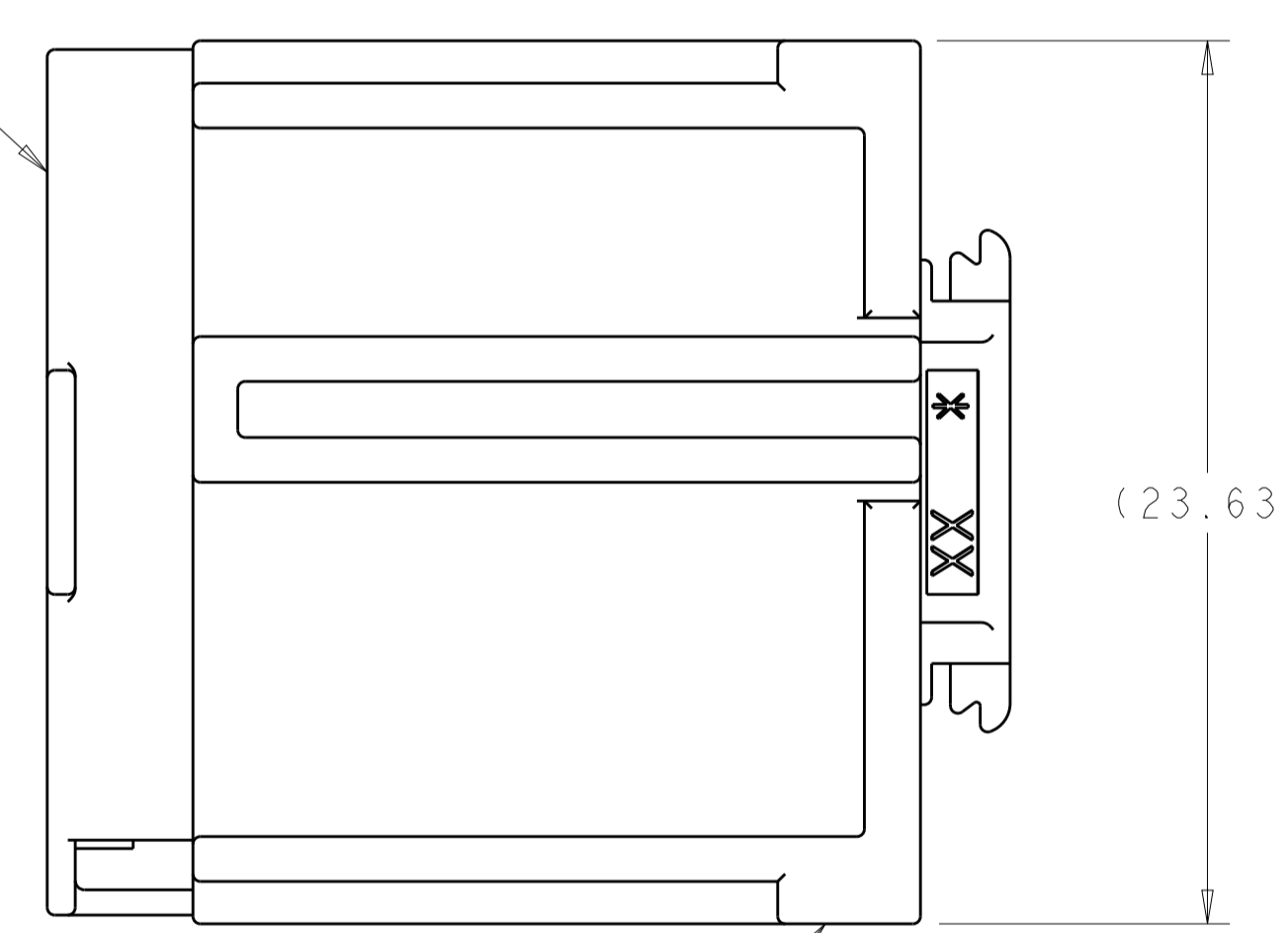
(2.54) TYP

(2.54) TYP

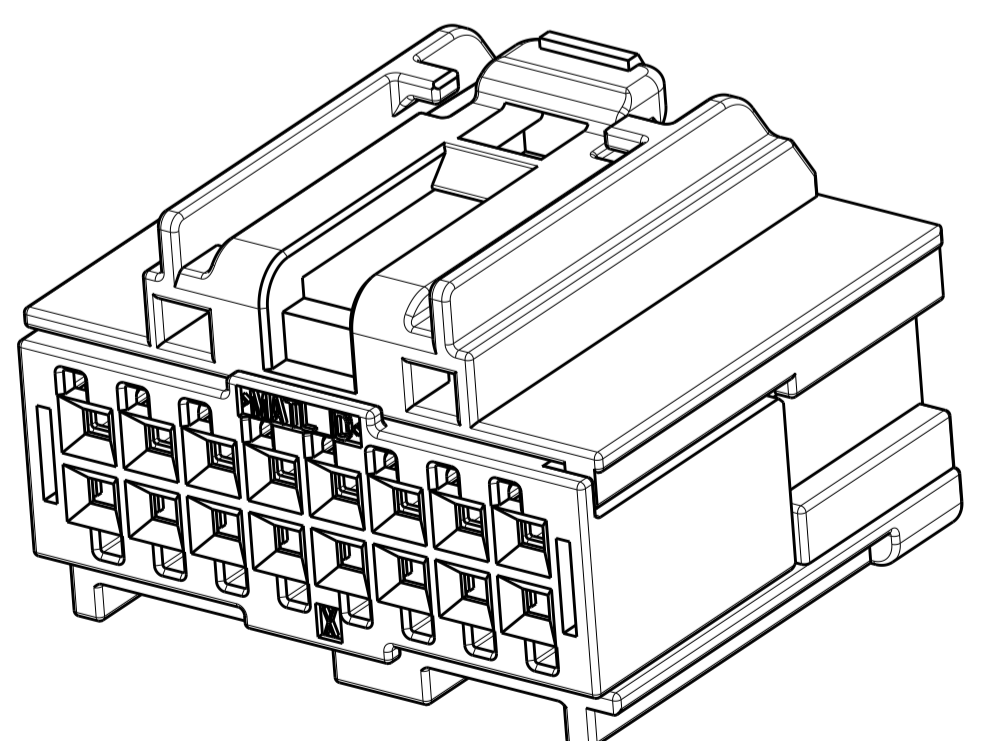


CPA, OPTIONAL

TPA QTY: 1



HOUSING QTY: 1



REF VIEW  
SCALE 4:1

- △ MATERIAL:  
 PLUG HOUSING: NYLON, COLOR - BLACK  
 TPA: NYLON, COLOR - NATURAL  
 CPA: PBT, COLOR - RED
2. TERMINAL SOLD SEPERATELY
  3. TPA SHOWN IN PRE-SEATED POSITION
  4. CONNECTOR ASSEMBLIES ARE BULK PACKED IN CARDBOARD BOXES
  5. TPA IS SHIPPED IN PRE-SEATED POSITION AND MAY BECOME SEATED DURING SHIPPING. REFER TO TE INSTRUCTION SHEET 408-10121 TO REPOSITION TPA

KEYING CODE "H"	1456867-8
KEYING CODE "G"	1456867-7
KEYING CODE "F"	1456867-6
KEYING CODE "E"	1456867-5
KEYING CODE "D"	1456867-4
KEYING CODE "C"	1456867-3
KEYING CODE	PART NUMBER

THIS DRAWING IS A CONTROLLED DOCUMENT.		DMN H. MOLL 13JUL2006	
DIMENSIONS: mm		CHK D. FRY 14JUL2006	
TOLERANCES UNLESS OTHERWISE SPECIFIED:		APVD D. FRY 14JUL2006	NAME PLUG ASSEMBLY, 2x8, UNSEALED, 0.64 GenY
0 PLC ±	1 PLC ±	PRODUCT SPEC	SIZE CAGE CODE DRAWING NO
2 PLC ±	3 PLC ±	APPLICATION SPEC	RESTRICTED TO
4 PLC ±	ANGLES ±	FINISH	SCALE 5:1 SHEET 1 OF 1 REV A2
MATERIAL SEE CALL OUT	WEIGHT	CUSTOMER DRAWING	A 100779 C=1456867