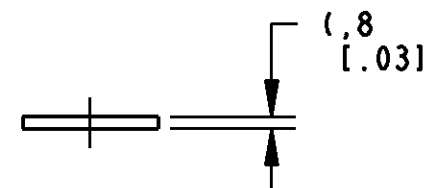
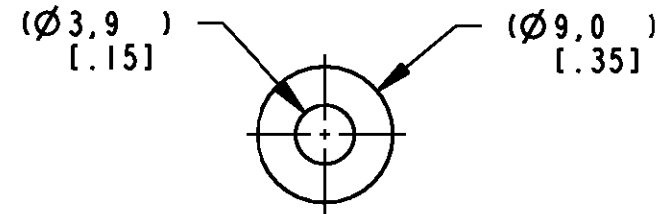
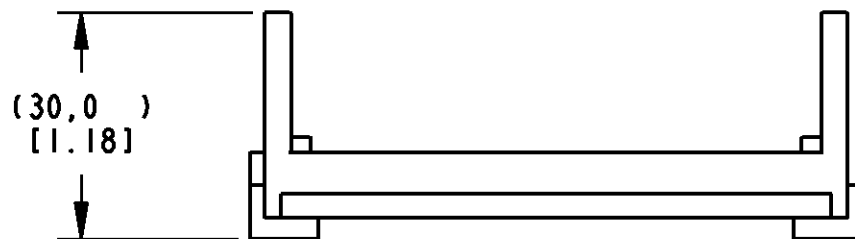
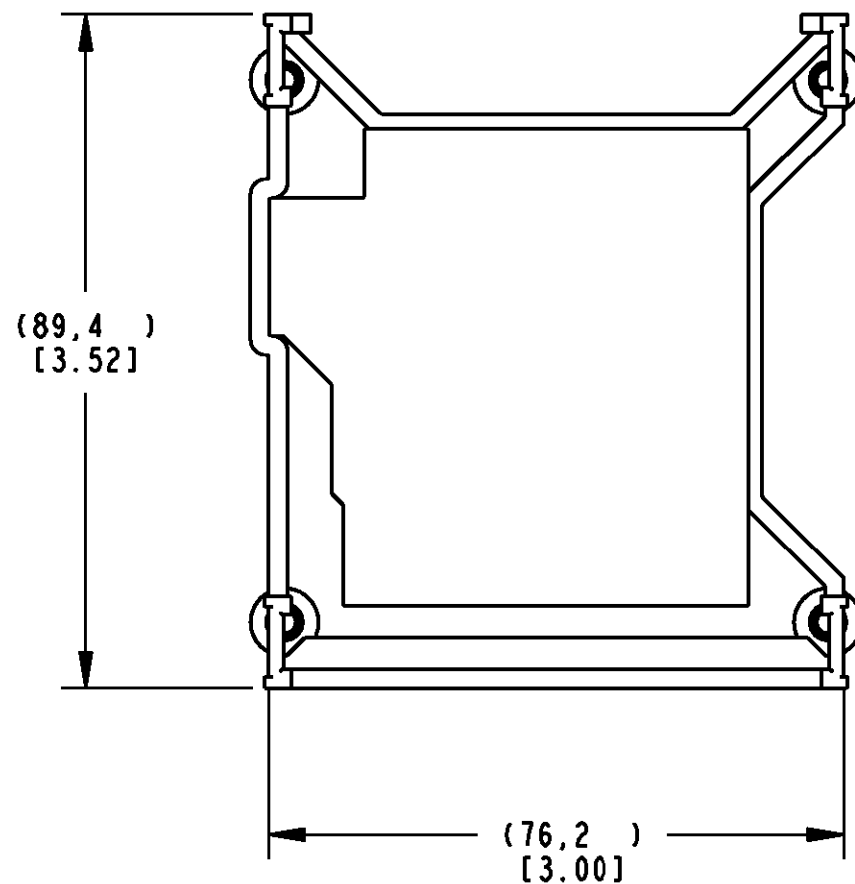


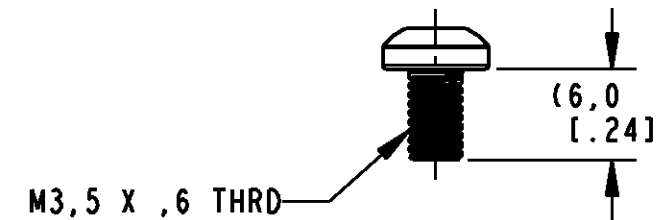
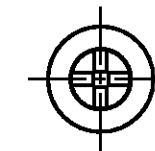
NOTES:

UNLESS OTHERWISE SPECIFIED

1. INTERPRET DRAWING PER ASME Y14.5M-1994.



**WASHER**  
P/N 1542856-1  
NYLON  
SCALE = 2X



**SCREW**  
P/N 1542857-1  
STEEL : ZINC PLATED- (BRIGHT OR BLACK)  
SCALE = 2X

**RETENTION MODULE**  
P/N 1542855-1  
LEXAN W/BRASS INSERTS  
SCALE = 1X

**CUSTOMER DRAWING**  
SPECIFICATIONS ARE SUBJECT TO CHANGE WITHOUT NOTICE

QTY.	DESCRIPTION	PART NUMBER
4	MACHINE SCREW, M3,5, 6MM LONG	1542857-1
4	FLAT WASHER, NYLON	1542856-1
1	RETENTION MODULE	1542855-1

REVISION INFO	REV.
RELEASED OS60-0099-04 DA 4-15-04 APP'D: AM 5-3-04	○
RELEASED OS60-0146-04 DA 5-24-04 APP'D: AM 5-24-04	A
REVISED OS60-0211-04 ETAO 8-19-04 APP'D: A.M 8-19-04	B
REVISED OS60-0269-04 ETAO 11-9-04 APP'D: A.M 11-9-04	C

<b>DO NOT SCALE</b>	<b>tyco/Electronics</b> North Attleboro, Massachusetts 02760		CONFIDENTIAL PROPERTY OF TYCO ELECTRONICS. NOT TO BE DISCLOSED TO OTHERS. REPRODUCED OR USED FOR ANY PURPOSES EXCEPT AS AUTHORIZED IN WRITING BY AN AUTHORIZED OFFICIAL OF TYCO. MUST BE RETURNED TO TYCO ON DEMAND, ON COMPLETION OF ORDER OR OTHER PURPOSES FOR WHICH LENT.		TITLE: CUSTOMER DRAWING, RETENTION MODULE, W/HARDWARE		
	UNLESS OTHERWISE SPECIFIED TOLERANCES ARE:	DRAWN BY: D. AMARAL			DATE: 4-15-04	MATERIAL: SEE NOTES	DIMENSIONS ARE IN: MILLIMETERS
	X, X ± .5 X, XX ± .25 X, XXX ± .051 ANGLES ± 1°	ENGINEER: A. MICHAUD	DATE: 5-3-04	FINISH: .	THIRD ANGLE PROJECTION	SIZE <b>B</b>	TYCO PART NO.: SEE TABLE
		FILENAME C-2-1542009-7	PROJECT .	SYSTEM PRO-E		DWG. NO.: C-2-1542009-7	SHEET 1 of 1 REV. C