



### Main

Range of Product	Zelio Logic
Product or Component Type	GSM modem
Type of modem	Type quad band 900/1800 MHz, 850/1900 MHz
Data backed up	Flash memory

### Complementary

Kit composition	GSM modem Fixing on DIN rail (assembled with the GSM modem) 1 supply cable 1 antenna with cable 2 lugs for plate mounting
Function Available	Send alarm/receive instruction Send alarm to e-mail address Transfer program Update firmware monitoring
Number of messages	28
Electrical data recording	Telephone/E-mail Discrete and digital value Date and time
[Us] rated supply voltage	12...24 V DC
Supply voltage limits	5.5...32 V
Maximum supply current	165 MA 12 V 87 A 24 V 2100 mA 5.5 V
Power dissipation in W	2.1 W
Associated fuse rating	2.5 A
Electrical connection	1 cable Com-M Com-M specific to Zelio RS232 serial, specific Zelio communication protocol link with the modem, AT commands 1 antenna with cable 1 cable 1 cable Com-Z Com-Z specific to Zelio, specific Zelio communication protocol Zelio Logic smart relays SR.B..... and SR2 E..... Version (>= V3.1) Supply cable
Cable length	4.92 Ft (1.5 m) supply cable 8.20 ft (2.5 m) antenna with cable
Insulation	1780 V optocoupler Com-Z specific to Zelio By the cable SR2 CBL07 Com-M specific to Zelio
Connections - terminals	Screw terminals, 1 x 0.25...1 x 2.5 mm <sup>2</sup> AWG 24...AWG 14) flexible with cable end Screw terminals, 2 x 0.25...2 x 0.75 mm <sup>2</sup> AWG 24...AWG 18) flexible with cable end Screw terminals, 1 x 0.25...1 x 2.5 mm <sup>2</sup> AWG 24...AWG 14) semi-solid Screw terminals, 1 x 0.25...1 x 2.5 mm <sup>2</sup> AWG 24...AWG 14) solid Screw terminals, 2 x 0.25...2 x 1.5 mm <sup>2</sup> AWG 23...AWG 16) solid
Tightening torque	4.43 lbf.in (0.5 N.m)
Net Weight	0.74 lb(US) (0.335 kg)

The information provided in this documentation contains general descriptions and/or technical characteristics of the performance of the products contained herein. This documentation is not intended as a substitute for and is not to be used for determining suitability or reliability of these products for specific user applications. It is the duty of any such user or integrator to perform the appropriate and complete risk analysis, evaluation and testing of the products with respect to the relevant specific application or use thereof. Neither Schneider Electric Industries SAS nor any of its affiliates or subsidiaries shall be responsible or liable for misuse of the information contained herein.

## Environment

Product Certifications	UL PTCRB GOST CSA IC FCC part 15 standard C-tick
Standards	EN/IEC 60068-2-6 Fc EN/IEC 60068-2-32
Electromagnetic compatibility	Conducted and radiated emissions class B group 1 EN 55022-11
IP degree of protection	IP31 IEC 60529
Environmental characteristic	Low voltage directive EN/IEC 60950-1 R and TTE directive ETSI EN 301419-1 R and TTE directive ETSI EN 301 489-7 R and TTE directive ETSI EN 301 511 EMC directive ETSI EN 301 489-1
Pollution degree	2 EN/IEC 61131-2
Ambient air temperature for operation	-4...131 °F (-20...55 °C) IEC 60068-2-2 -4...131 °F (-20...55 °C) IEC 60068-2-2
Ambient Air Temperature for Storage	-40...158 °F (-40...70 °C)
Operating altitude	6561.68 ft (2000 m)
Maximum altitude transport	10000.00 ft (3048 m)
Relative humidity	0...95 % 131 °F (55 °C) without condensation 0...95 % without condensation, during storage




## Ordering and shipping details

Category	22378-SR2,3 ZELIO 2 RELAYS
Discount Schedule	I
GTIN	3389119203999
Nbr. of units in pkg.	1
Package weight(Lbs)	11.22 oz (318.0 g)
Returnability	No
Country of origin	FR

## Packing Units

Unit Type of Package 1	PCE
Package 1 Height	2.95 in (7.5 cm)
Package 1 width	2.95 in (7.5 cm)
Package 1 Length	5.79 in (14.7 cm)
Unit Type of Package 2	S03
Number of Units in Package 2	20
Package 2 Weight	15.20 lb(US) (6.895 kg)
Package 2 Height	11.81 in (30.0 cm)
Package 2 width	11.81 in (30.0 cm)
Package 2 Length	15.75 in (40.0 cm)

## Offer Sustainability

California proposition 65	WARNING: This product can expose you to chemicals including: Lead and lead compounds, which is known to the State of California to cause cancer and birth defects or other reproductive harm. For more information go to <a href="http://www.P65Warnings.ca.gov">www.P65Warnings.ca.gov</a>
REACH Regulation	 <a href="#">REACH Declaration</a>
EU RoHS Directive	Pro-active compliance (Product out of EU RoHS legal scope)  <a href="#">EU RoHS Declaration</a>
Mercury free	Yes
RoHS exemption information	 Yes

---

China RoHS Regulation	<a href="#">China RoHS Declaration</a>
PVC free	Yes

---

**Contractual warranty**

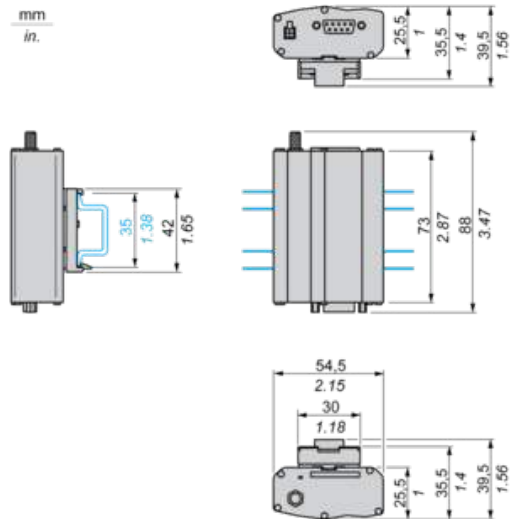
---

Warranty	18 months
----------	-----------

---

GSM Modem

Rail Mounting



Screw Fixing

