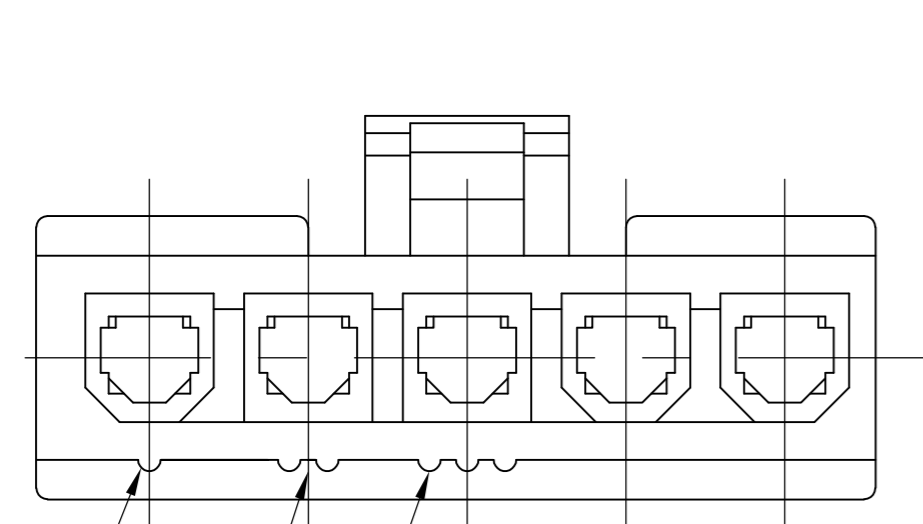
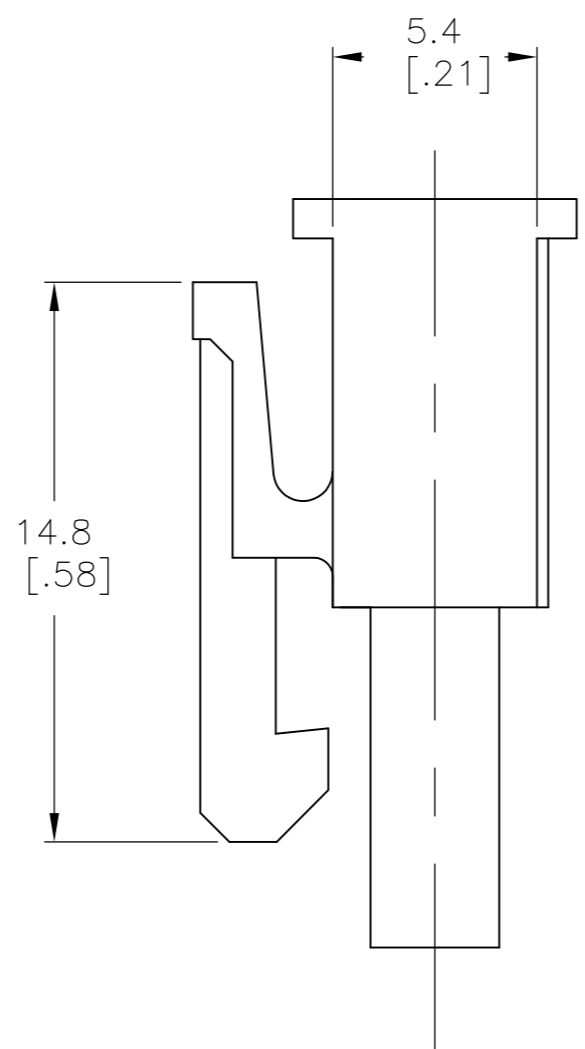
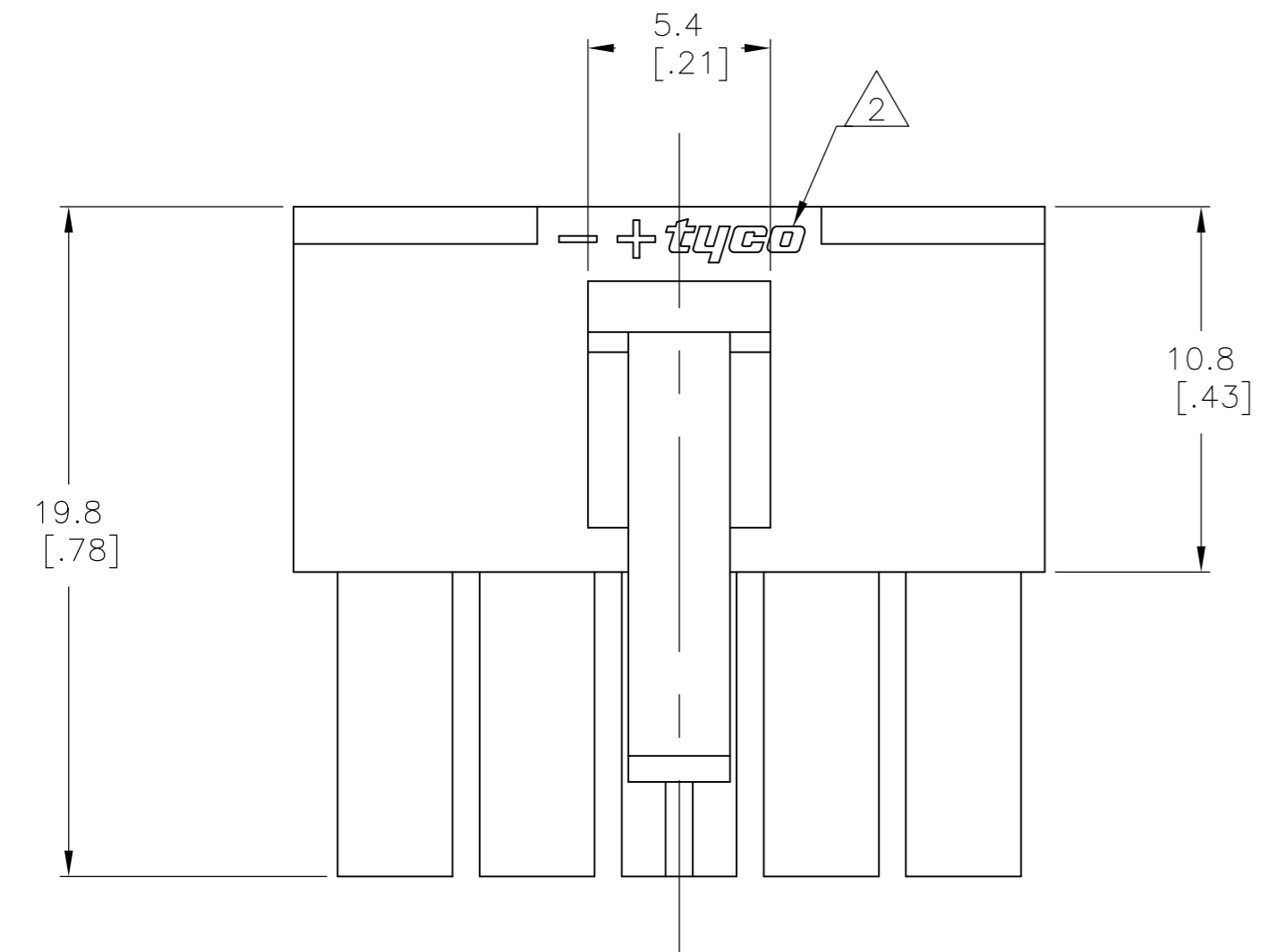
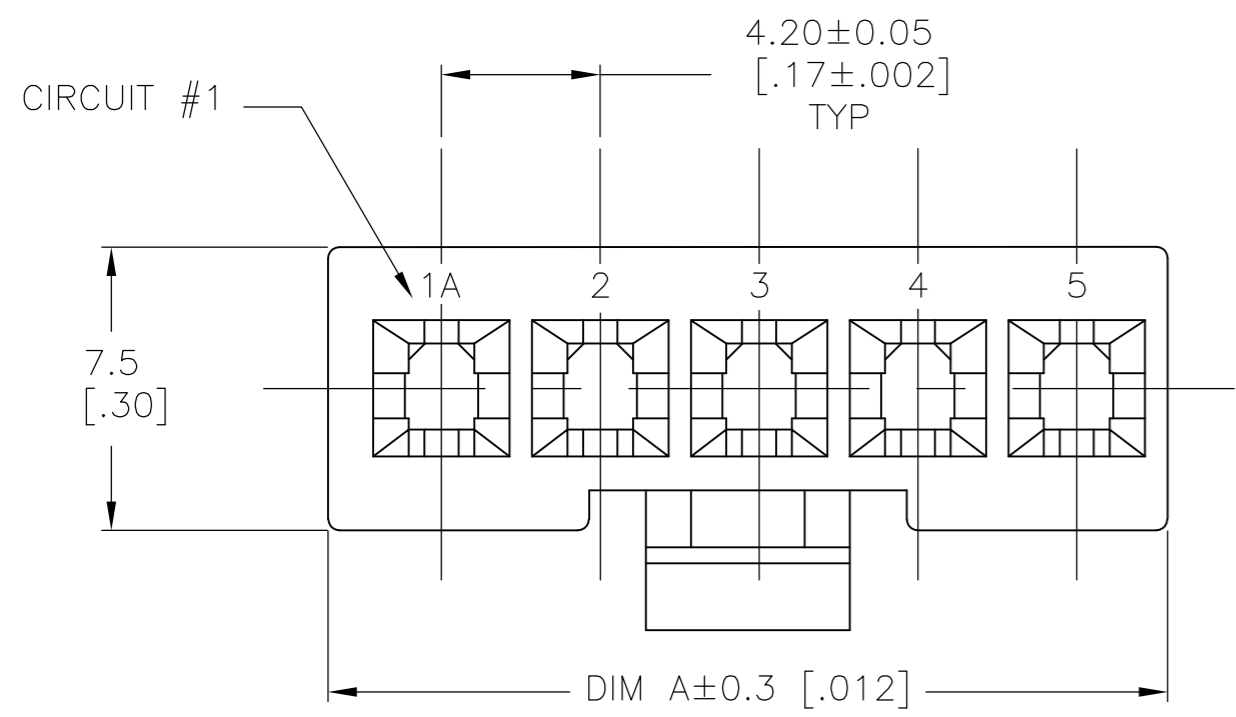
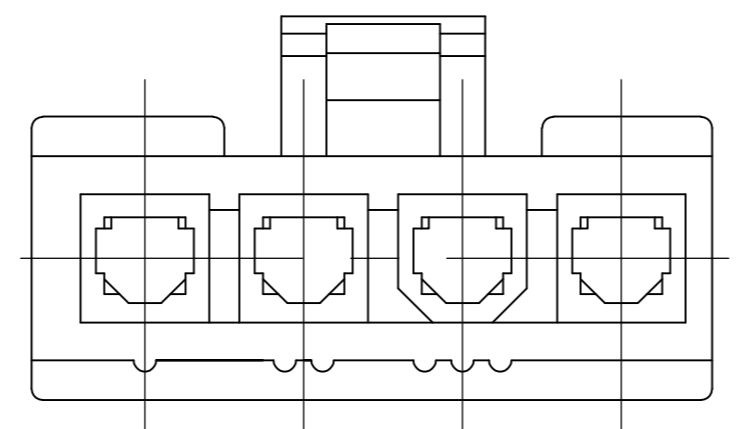


THIS DRAWING IS UNPUBLISHED. RELEASED FOR PUBLICATION
 © COPYRIGHT BY TYCO ELECTRONICS CORPORATION. ALL RIGHTS RESERVED.

LOC	DIST	REVISIONS					
CM	00	P	LTR	DESCRIPTION	DATE	DWN	APVD
		A		WR-08-45	23SEP08	KW	CC



1ST CIRCUIT
 2ND CIRCUIT
 3RD CIRCUIT



4 POSITION MATING FACE
 (FOR POLARIZATION IDENTIFICATION)

METRIC

- 1 GLOW WIRE APPROVED, CONTACT TYCO ELECTRONICS ENGINEERING FOR SPECIFICATION.
- 2 TE LOGO, - SIZE, LOCATION, AND ORIENTATION OPTIONAL.

22.2 [.87]	5	2029178-5
18.0 [.71]	4	2029178-4
DIM A	POS	PART NUMBER

THIS DRAWING IS A CONTROLLED DOCUMENT.		DWN	23SEP2008	Tyco Electronics Corporation	
		CHK	23SEP2008	Harrisburg, PA 17105-3608	
		APVD	23SEP2008	NAME	
		PRODUCT SPEC		RECEPTACLE, SINGLE ROW, VAL-U-LOK(TM)	
		APPLICATION SPEC		SIZE	RESTRICTED TO
		WEIGHT	-	A2	-
		CUSTOMER DRAWING		CAGE CODE	DRAWING NO
				00779	C=2029178
				SCALE	SHEET
				5:1	1 of 1
				REV	A