

6345235-1 ✓ ACTIVE

Z-PACK | Z-PACK 2mm HM

TE Internal #: 6345235-1

Hard Metric Backplane Connectors, PCB Mount Header, 25

Column, 6 Row, Traditional Backplane, 132 Position, 2 mm [.078 in]

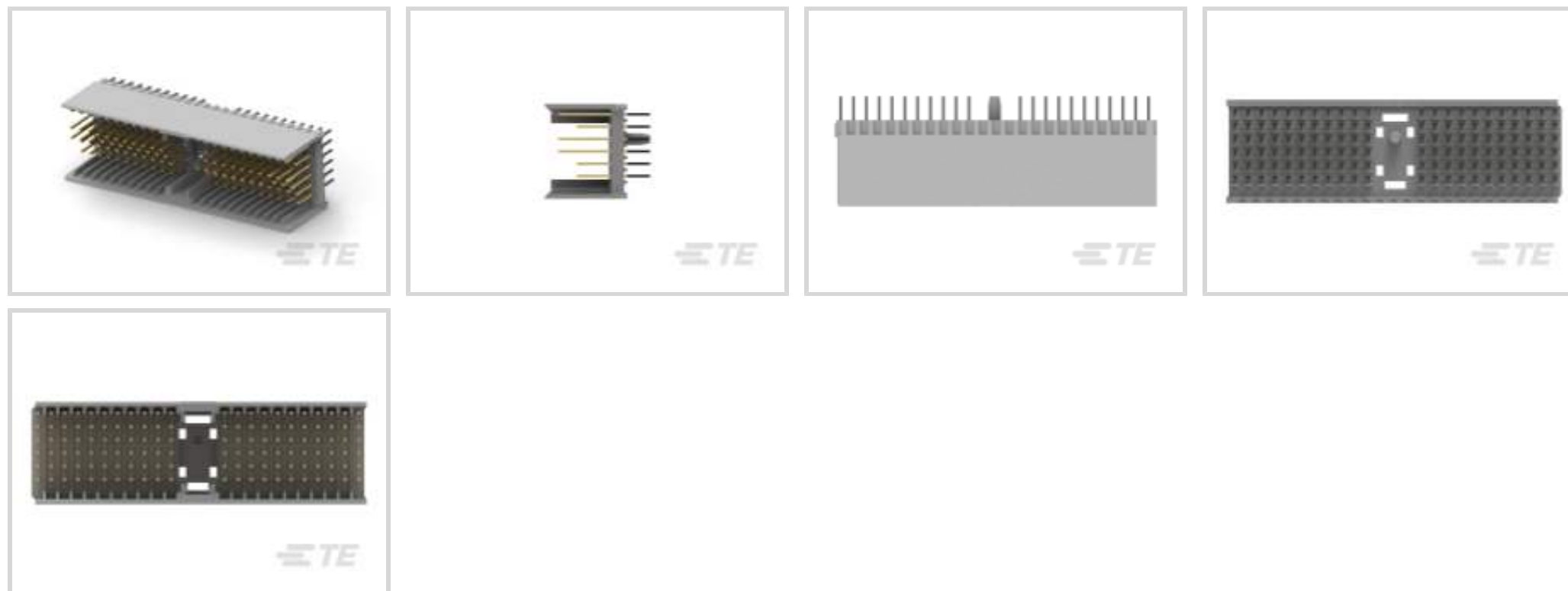
Centerline, Z-PACK 2mm HM

[View on TE.com >](#)



[Connectors >](#) [PCB Connectors >](#) [Backplane Connectors >](#) [Hard Metric Backplane Connectors >](#)

Hard Metric Male Connector: Traditional Backplane, Mezzanine, 2mm



PCB Connector Assembly Type: **PCB Mount Header**

Number of Columns: **25**

Number of Rows: **6**

Backplane Architecture: **Traditional Backplane**

Connector System: **Board-to-Board**

[All Hard Metric Male Connector: Traditional Backplane, Mezzanine, 2mm \(124\)](#)

Features

Product Type Features

PCB Connector Assembly Type	PCB Mount Header
Connector System	Board-to-Board
Sealable	No
Connector & Contact Terminates To	Printed Circuit Board

Configuration Features

Number of Columns	25
Number of Rows	6
Backplane Architecture	Traditional Backplane
Number of Positions	132
PCB Mount Orientation	Vertical

Body Features

Primary Product Color	Gray
-----------------------	------



Contact Features

CompactPCI Designation	None
Contact Type	Pin

Mechanical Attachment

Connector Mounting Type	Board Mount
-------------------------	-------------

Housing Features

Centerline (Pitch)	2 mm [.078 in]
--------------------	----------------

Usage Conditions

Operating Temperature Range	-55 – 125 °C [-67 – 257 °F]
-----------------------------	-----------------------------

Product Compliance

[For compliance documentation, visit the product page on TE.com>](#)

EU RoHS Directive 2011/65/EU	Compliant
EU ELV Directive 2000/53/EC	Compliant
China RoHS 2 Directive MIIT Order No 32, 2016	No Restricted Materials Above Threshold
EU REACH Regulation (EC) No. 1907/2006	Current ECHA Candidate List: JUNE 2023 (235) Candidate List Declared Against: JAN 2023 (233) Does not contain REACH SVHC
Halogen Content	Not Low Halogen - contains Br or Cl > 900 ppm.
Solder Process Capability	Not applicable for solder process capability

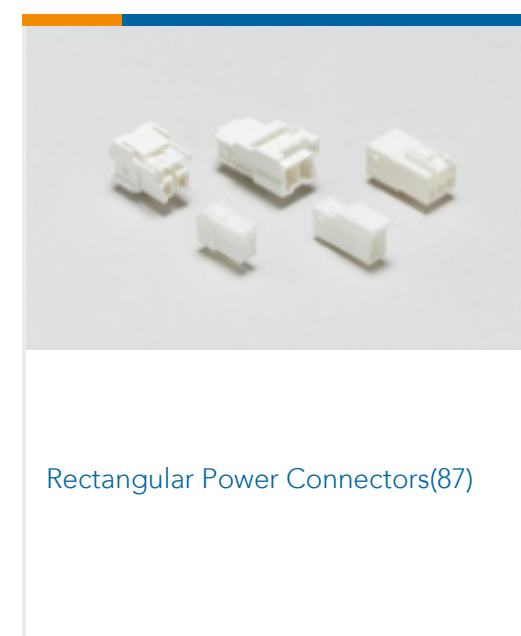
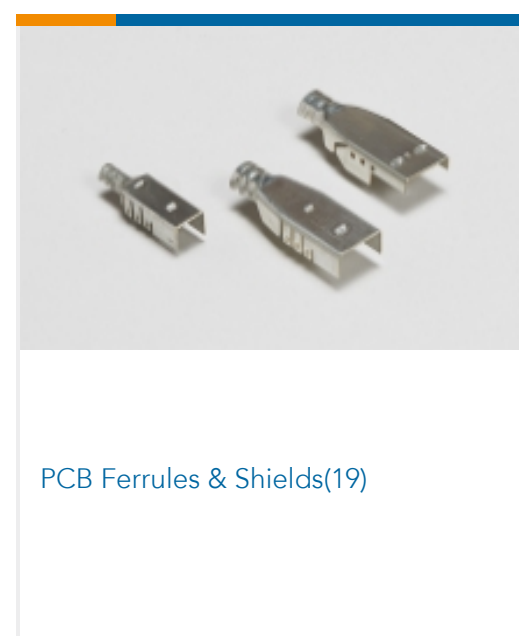
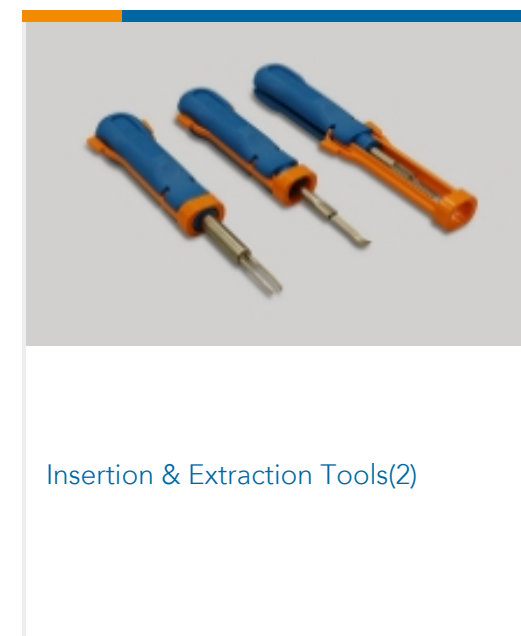
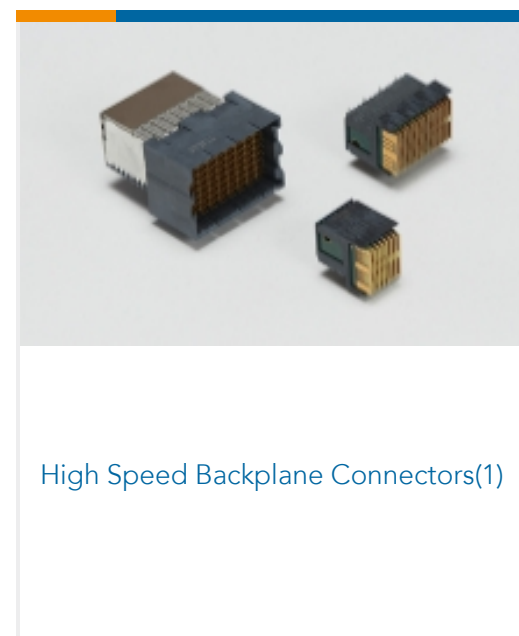
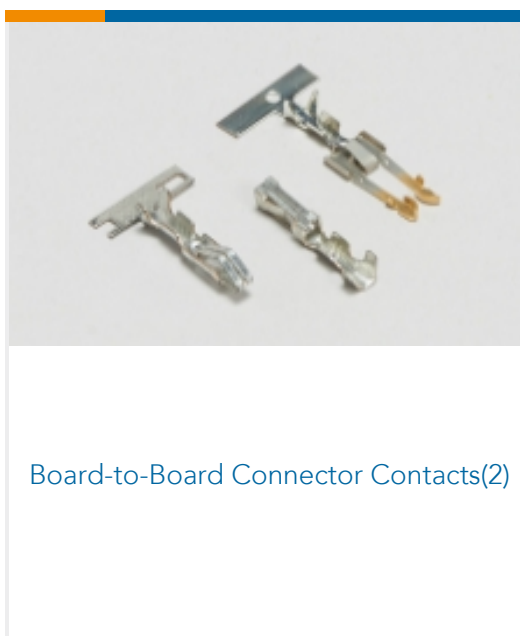
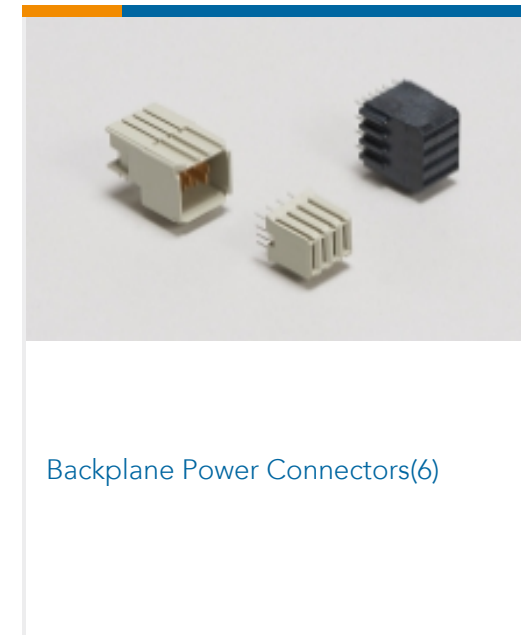
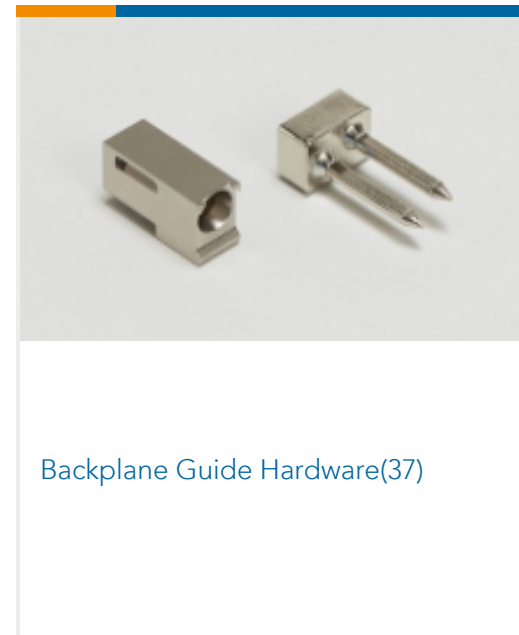
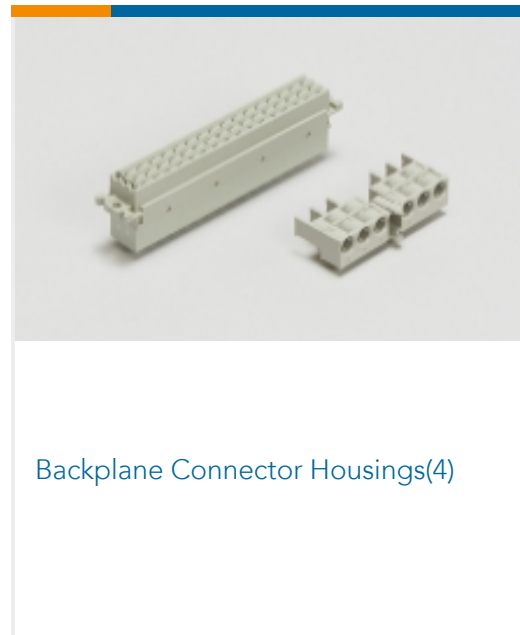
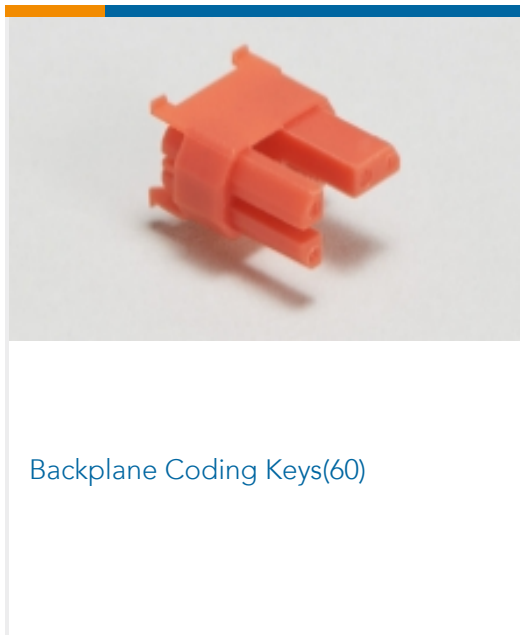
Product Compliance Disclaimer

This information is provided based on reasonable inquiry of our suppliers and represents our current actual knowledge based on the information they provided. This information is subject to change. The part numbers that TE has identified as EU RoHS compliant have a maximum concentration of 0.1% by weight in homogenous materials for lead, hexavalent chromium, mercury, PBB, PBDE, DBP, BBP, DEHP, DIBP, and 0.01% for cadmium, or qualify for an exemption to these limits as defined in the Annexes of Directive 2011/65/EU (RoHS2). Finished electrical and electronic equipment products will be CE marked as required by Directive 2011/65/EU. Components may not be CE marked. Additionally, the part numbers that TE has identified as EU ELV compliant have a maximum concentration of 0.1% by weight in homogenous materials for lead, hexavalent chromium, and mercury, and 0.01% for cadmium, or qualify for an exemption to these limits as defined in the Annexes of Directive 2000/53/EC (ELV). Regarding the REACH Regulation, the information TE provides on SVHC in articles for this part number is based on the latest European Chemicals Agency (ECHA) 'Guidance on requirements for substances in articles' posted at this URL: <https://echa.europa.eu/guidance-documents/guidance-on-reach>

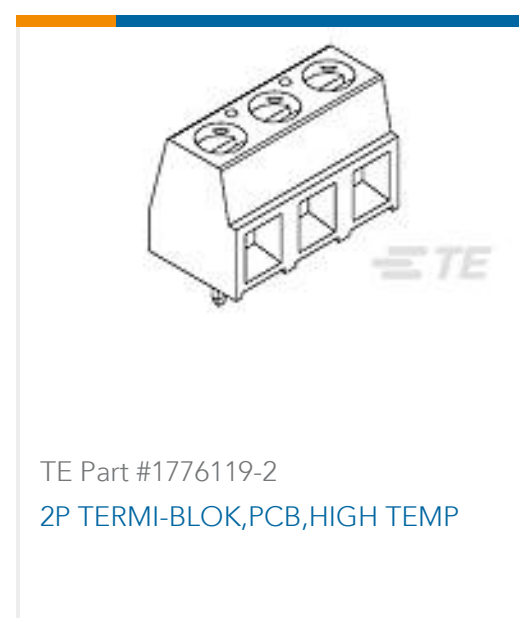
Compatible Parts



Also in the Series | Z-PACK 2mm HM



Customers Also Bought





TE Part #103906-5
06 MTE HDR SRRA LATCH .100CL



TE Part #3-2199250-3
Shield Finger, Loose Piece, Type C, 3.2h

TE Part #9-1462038-8
IM02DGR=IM RELAY 140mW 4.5V

TE Part #1825911-1
ADE08STR04-3 SPECIAL, PKG ON T

Documents

Product Drawings

Z-PACK A HEADER 132P

English

CAD Files

3D PDF

3D

Customer View Model

[ENG_CVM_CVM_6345235-1_A.2d_dxf.zip](#)

English

Customer View Model

[ENG_CVM_CVM_6345235-1_A.3d_igs.zip](#)

English

Customer View Model

[ENG_CVM_CVM_6345235-1_A.3d_stp.zip](#)

English

By downloading the CAD file I accept and agree to the [Terms and Conditions](#) of use.

Product Specifications

Application Specification

English

Product Environmental Compliance

Product Compliance

English

Product Compliance

English