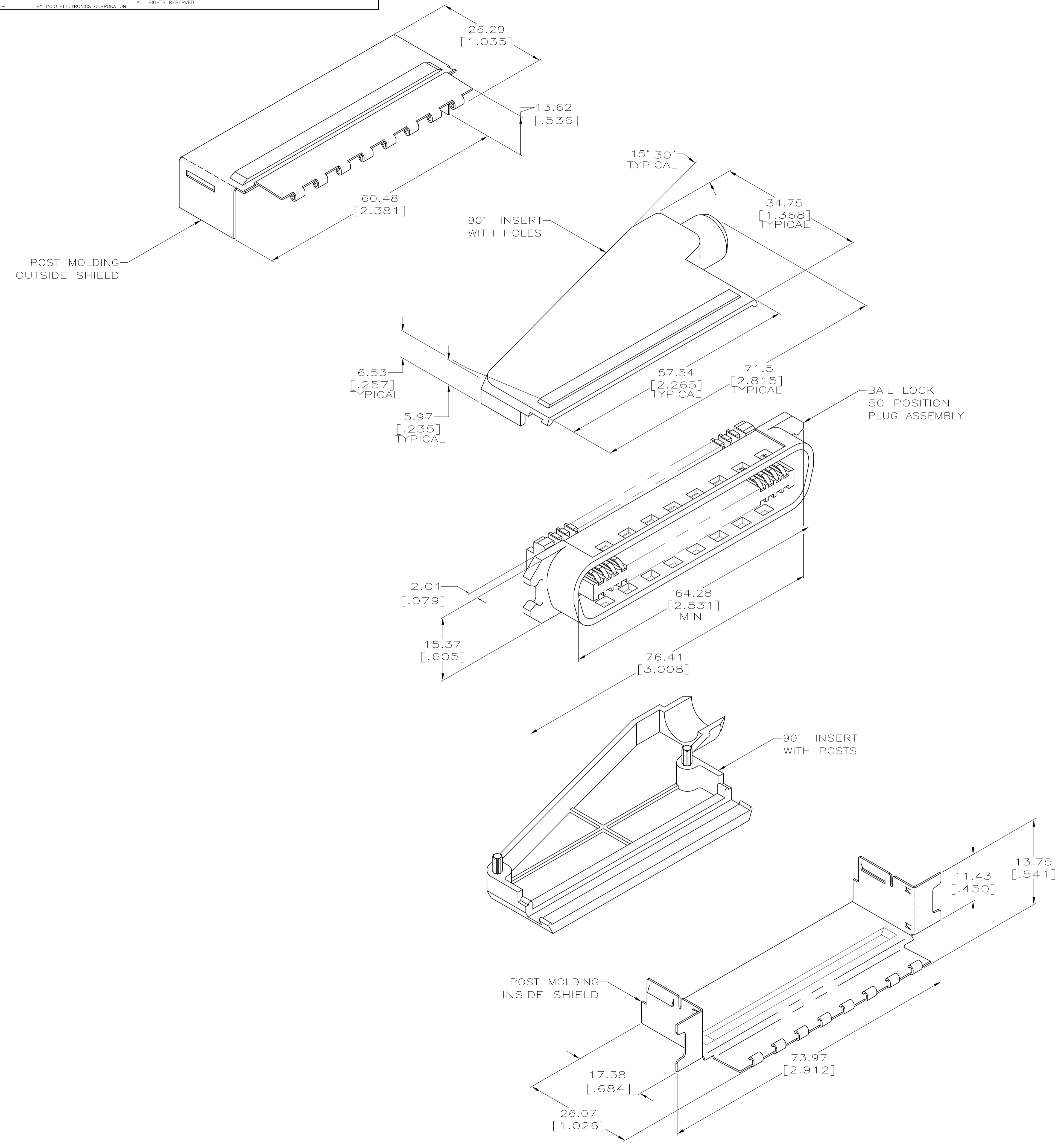


LOC	DIST	REVISIONS			
GP	00	REV	DESCRIPTION	DATE	DMN
		M	REVISED PER ECO-08-007327	02OCT08	BM WM



1. THIS KIT SHIPPED NOT ASSEMBLED.
- ⚠ MATERIAL: INSERT – ABS MOLDING COMPOUND.  
 PLUG HOUSING – POLYPHENYLENE OXIDE, SEE TABLE FOR COLOR.  
 TERMINAL – HIGH STRENGTH COPPER ALLOY PLATED WITH 0.76μm [.000030] MIN GOLD OR GOLD FLASH OVER PALLADIUM NICKEL PLATE, 0.76μm [.000030] MIN TOTAL ON MATING SURFACE. 1.27μm [.000050] MIN NICKEL UNDERPLATE OVER ENTIRE TERMINAL.  
 SHIELDS – BRIGHT NICKEL PLATED CARBON STEEL.
- ⚠ WIRE SIZE: 24 OR 26 AWG SOLID OR 24 AWG 7 STRANDED COPPER CONDUCTORS. MAXIMUM INSULATION DIAMETER OF 1.14[.045] IS ACCEPTABLE FOR MOST APPLICATIONS.
4. CENTER-TO-CENTER SPACING OF TERMINALS IS 2.16 [.085] NOMINAL.
- ⚠ BULK PACKAGED 500 KITS PER CONTAINER.
7. DIMENSIONS ARE MAXIMUM UNLESS OTHERWISE SPECIFIED.
- ⚠ WIRE SIZE: 26, 27 OR 28 AWG 7 STRANDED COPPER CONDUCTORS. MAXIMUM INSULATION DIAMETER OF 1.14[.045] IS ACCEPTABLE FOR MOST APPLICATIONS.

OBSOLETE	BLACK	E	⚠	⚠	5-555012-3
	GRAY	E	⚠	⚠	5-555012-2
		B	⚠	⚠	5-555012-1
	HOUSING COLOR	SLOT	WIRE SIZE	PACKAGED	PART NUMBER

THIS DRAWING IS A CONTROLLED DOCUMENT.		DIN	DL DRUMMOND	7-21-95	Tyco Electronics Corporation	
		CHK	D. AHERON	8-11-95	Harrisburg, PA 17105-3608	
DIMENSIONS: mm [INCHES]		TOLERANCES UNLESS OTHERWISE SPECIFIED:		APPROVED: M. HUGHES		
0. PLC ± -		1. PLC ± -		NAME: PLUG KIT, 50 POSITION, POST MOLDING, SHIELDED, 90 DEGREE, BAIL LOCK, CHAMP		
1. PLC ± -		2. PLC ± -		PRODUCT SPEC: -		
2. PLC ± -		3. PLC ± -		APPLICATION SPEC: -		
3. PLC ± -		4. PLC ± -		SIZE: A1		
4. PLC ± -		ANGLES ± -		CAGE CODE: 00779		
MATERIAL: ⚠		FINISH: ⚠		DRAWING NO: 555012		
				RESTRICTED TO: -		
				WEIGHT: -		
				SCALE: 2:1		
				SHEET: 1 of 1		
				REV: M		