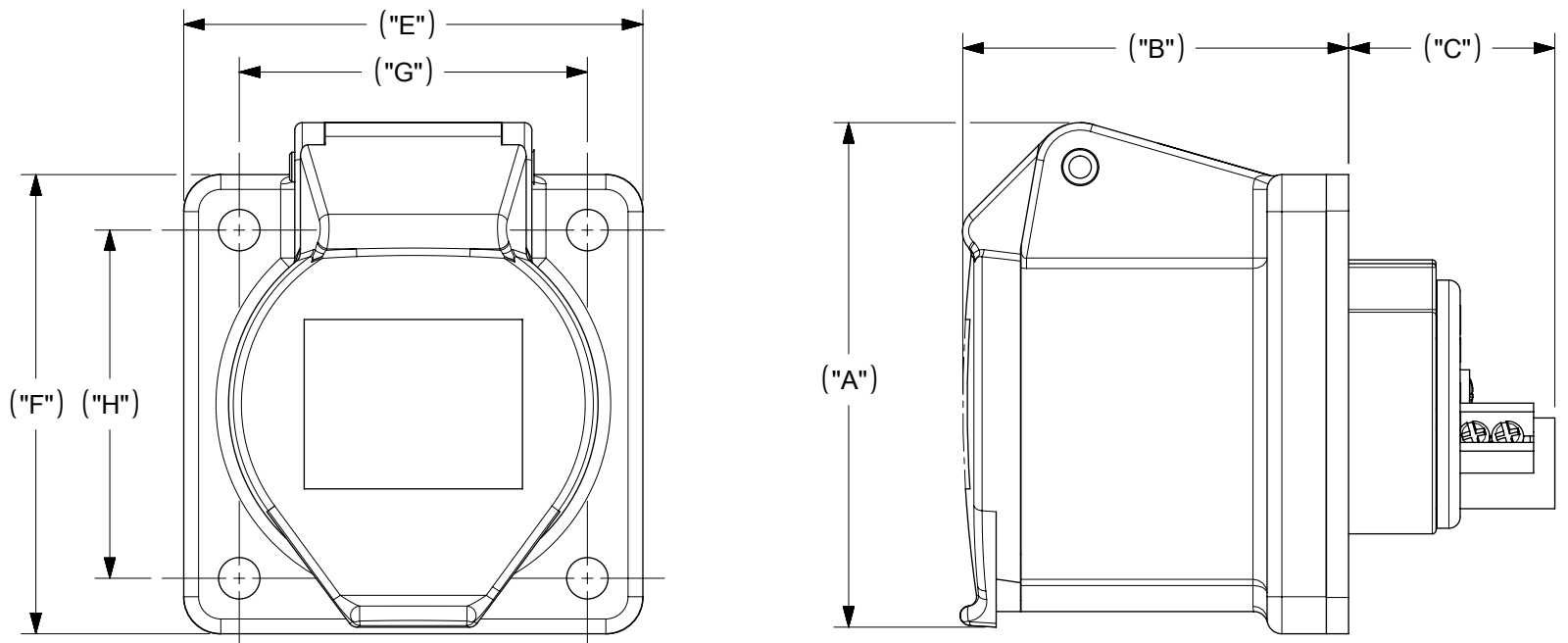
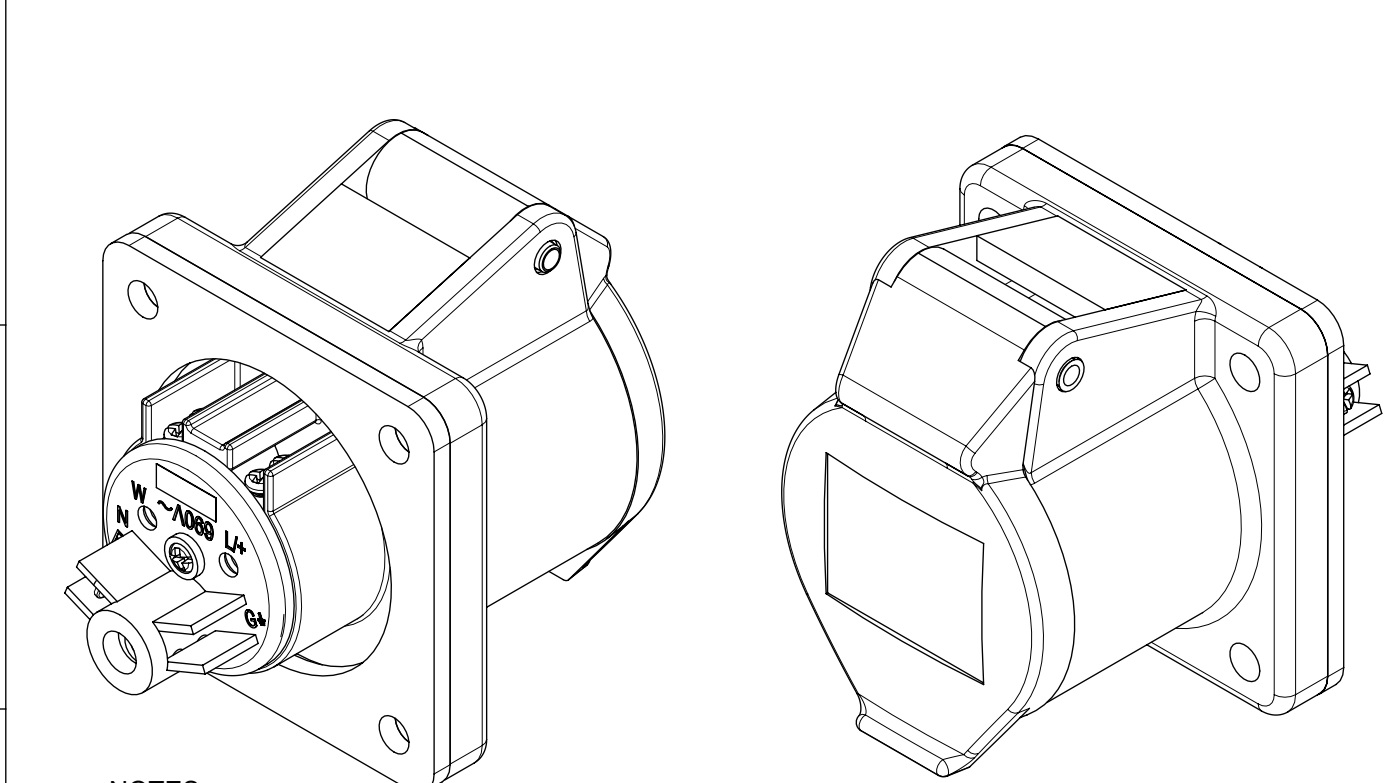


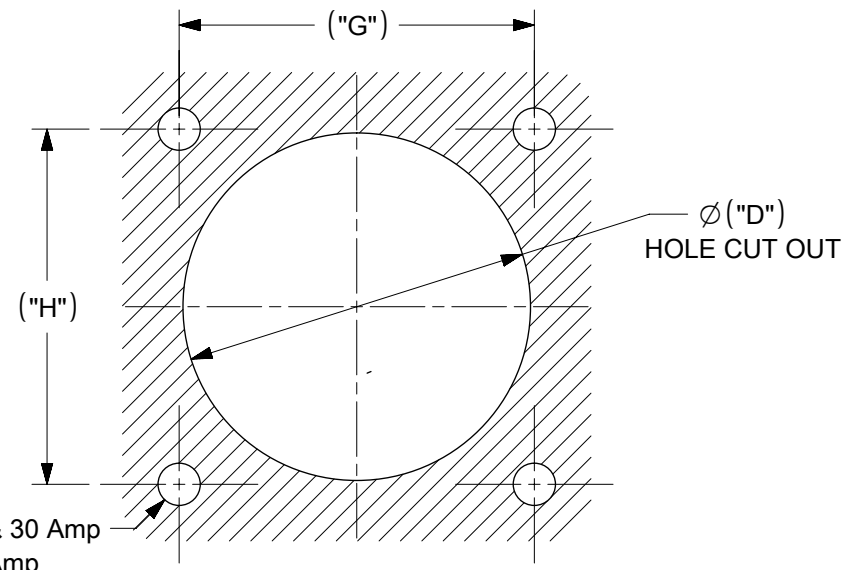
AMPS	TYPE	DIMENSIONS:							
		("A")	("B")	("C")	("D")	("E")	("F")	("G")	("H")
20	3 WIRE	2.68 [68.0]	2.05 [52.0]	1.10 [28.0]	1.81[46.0]	2.44 [62.0]	2.44 [62.0]	1.85 [47.0]	1.85 [47.0]
20	4 & 5 WIRE	3.35 [85.0]	2.09 [53.0]	1.10 [28.0]	2.36 [60.0]	2.95 [75.0]	2.95 [75.0]	2.36 [60.0]	2.36 [60.0]
30	4 WIRE	3.58 [91.0]	2.56 [65.0]	1.06 [27.0]	2.36 [60.0]	2.95 [75.0]	2.95 [75.0]	2.36 [60.0]	2.36 [60.0]
60	4 WIRE	4.49 [114.0]	3.35 [85.0]	2.05 [52.0]	3.54 [90.0]	3.94 [100.0]	4.21 [107.0]	3.03 [77.0]	3.35 [85.0]



NOTES:
1. THE BELOW SAFEWAY PIN AND SLEEVE RECPT. ARE RATED: IP44.

POLE/WIRE	AMPS	VOLTAGE	MATERIAL No.	ENGINEERING No.	COLOR
2-Pole/3-Wire	20	125	1301500056	320R4	Yellow
		250	1301500058	320R6	Blue
		277	1301500289	320R5	Gray
3-Pole/4-Wire	20	125/250	1301500143	420R12	Orange
		3ø250	1301500149	420R9	Blue
		3ø480	1301500147	420R7	Red
		3ø600	1301500145	420R5	Black
4-Pole/5-Wire	30	3øY 120/208	1301500244	520R9	Blue
		3øY 277/480	1301500242	520R7	Red
3-Pole/4-Wire	30	3ø480	1301500176	430R7	Red
3-Pole/4-Wire	60	125/250	1301500206	460R12	Orange
		3ø250	1301500212	460R9	Blue
		3ø480	1301500210	460R7	Red
		3ø600	1301500208	460R5	Black

Ø.22" [5.5mm] - 20 & 30 Amp
Ø.26" [6.5mm] - 60 Amp



FUNCTIONAL SYMBOLS	THIS DRAWING CONTAINS INFORMATION THAT IS PROPRIETARY TO MOLEX ELECTRONIC TECHNOLOGIES, LLC AND SHOULD NOT BE USED WITHOUT WRITTEN PERMISSION		CURRENT REV DESC: NEW SALES DRAWING CREATED	
	DIMENSION UNITS	SCALE	GENERAL TOLERANCES (UNLESS SPECIFIED)	
∇ = 0	INCH/MM	NTS	MM	INCH
∇ = 0	4 PLACES ±		±	±
∇ = 0	3 PLACES ±		±	±
DIVISIONAL SYMBOLS	2 PLACES ±		±	±
	1 PLACE ±		±	±
0 PLACES ±		±	±	±
ANGULAR TOL ± °		THIRD ANGLE PROJECTION		
DRAFT WHERE APPLICABLE MUST REMAIN WITHIN DIMENSIONS		DRAWING	SERIES	MATERIAL NUMBER
		B-SIZE	130150	SEE TABLE
		CUSTOMER		SHEET NUMBER
		GENERAL MARKET		1 OF 1

molex

SPLASHPROOF SAFEWAY IEC309 PIN & SLEEVE RECPT. 20, 30, & 60A & 3, 4, & 5 WIRE

PRODUCT CUSTOMER DRAWING

DOCUMENT NUMBER	DOC TYPE	DOC PART	REVISION
1301500058	PSD	000	A