



Rayovac Stock Number: **A1604**

Name: **9 VOLT ALKALINE**

ENGINEERING DATA:

Cell Chemistry: Alkaline

Designation:
ANSI/NEDA – 1604A , IEC – 6LR61 or 6LF22

Nominal Voltage:
9 volts

Approximate Weight:
1.6 Oz (45.4 grams)

Approximate Volume:
1.2 CU IN (19.7 CU CM)

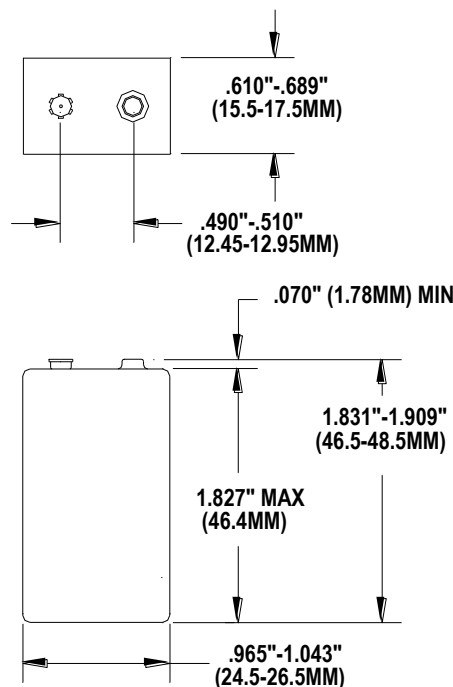
Operating Temp. Range:
-30° C to 55° C (-20° F to 130° F)

Terminals: Snap

Jacket: Steel

Environmental:
Meets Environmental Protection Agency (EPA)
Requirements For Landfill Disposal.
No Mercury Added Formulation

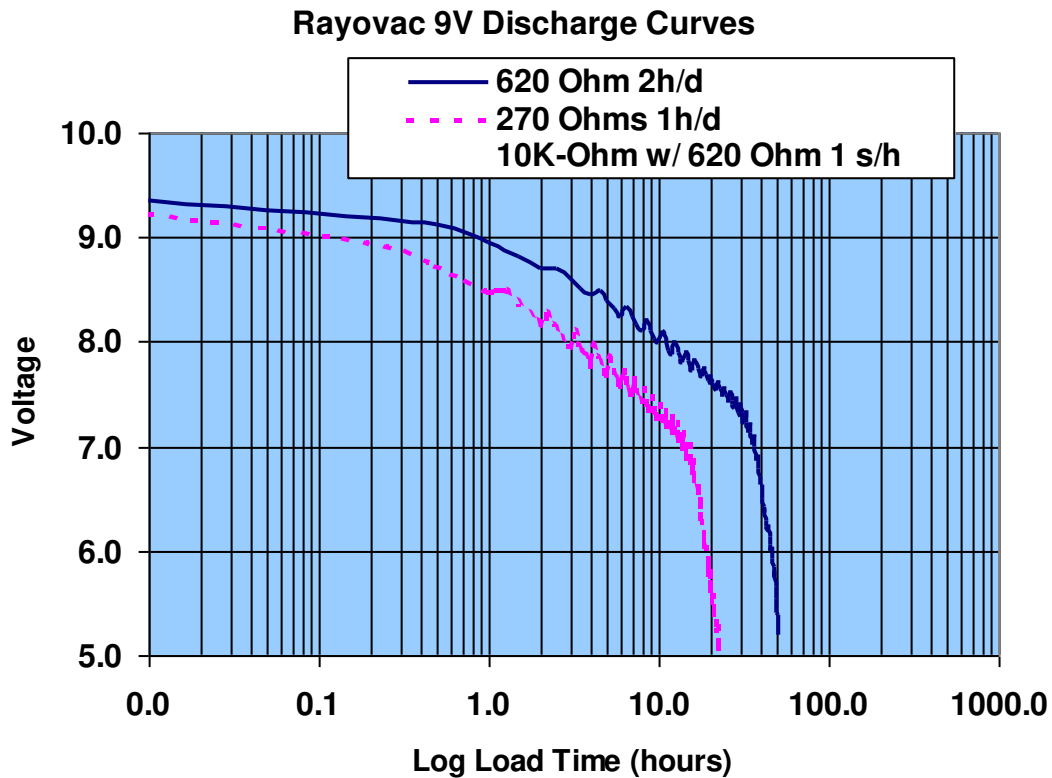
Expected service life and representative discharge curves are shown on the following page.



Dimensions shown are
ANSI/IEC standards

ESTIMATED INITIAL SERVICE AT 70°F (HOURS)

APPLICATION DUTY CYCLE	LOAD (OHMS)	CURRENT (mA at 7.2V)	CUTOFF VOLTAGE						mAh CAPACITY To 4.8V	
			7.8V	7.2V	6.6V	6.0V	5.4V	4.8V		
RADIO (2 HR/DAY)	620	11.6	13	32	39	45	49	52	614	
TOY/GAME (1 HR/DAY)	270	26.7	4	11	17	19	21	23	600	
SMOKE DETECTOR (ACCELERATED)	10K-Ohm BACKGROUND WITH 620 OHM PULSE 1 SEC/HR		500 HOURS TO 7.5V						424	TO 7.5V



This data sheet contains information specific to batteries manufactured at the time of its publication. Contents herein do not constitute a warranty and are subject to change without notice.