

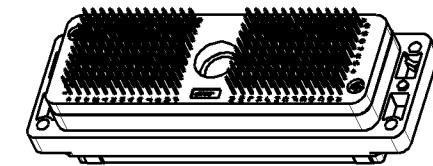
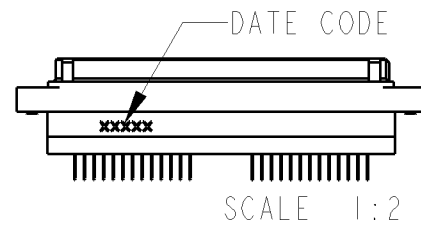
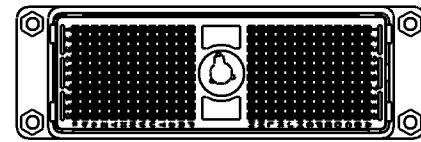
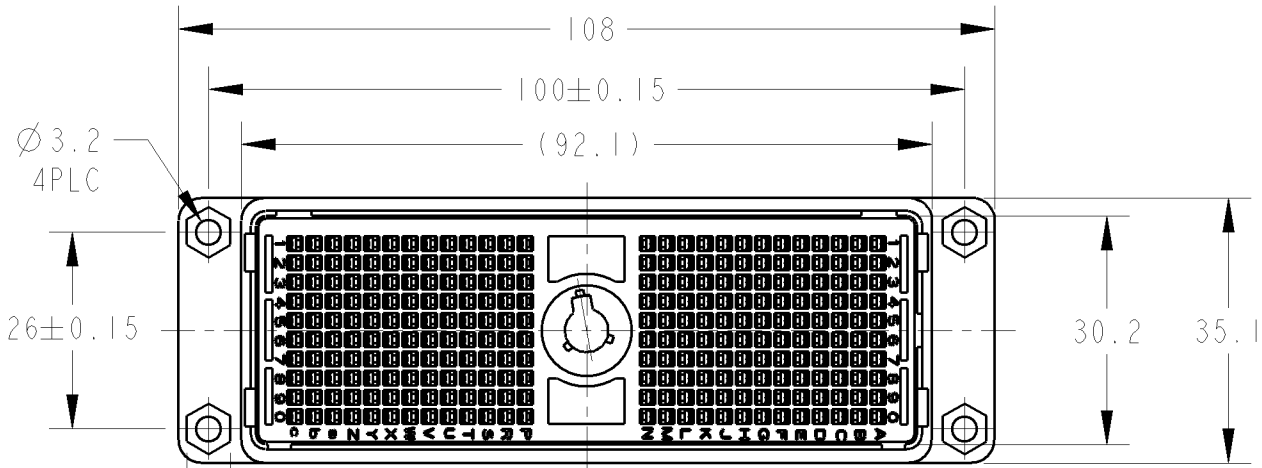
THIS DRAWING IS UNPUBLISHED.

RELEASED FOR PUBLICATION

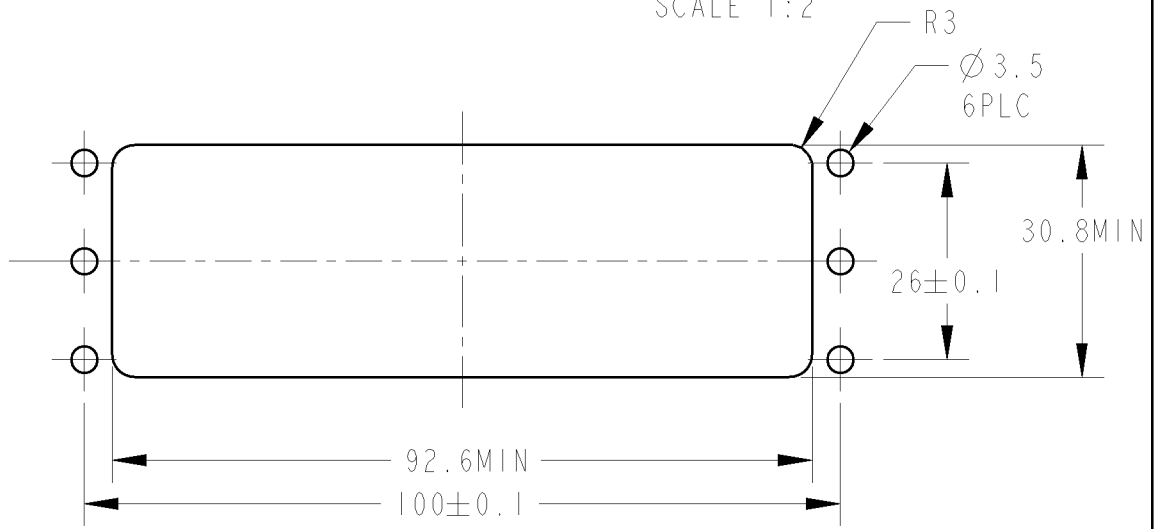
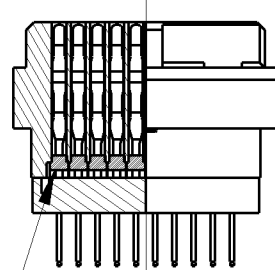
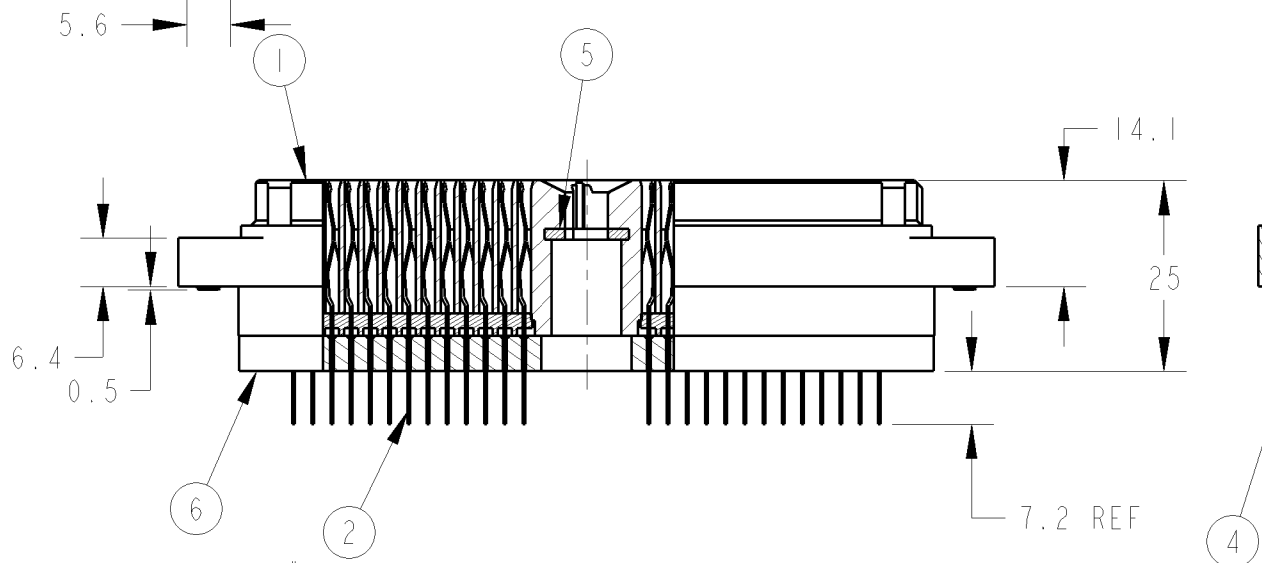
2005

© COPYRIGHT 2005 BY TYCO ELECTRONICS CORPORATION. ALL RIGHTS RESERVED.

| LOC | DIST | REVISIONS   |          |           |         |
|-----|------|-------------|----------|-----------|---------|
| P   | LTR  | DESCRIPTION | DATE     | DWN       | APVD    |
| J   | -    | A           | RELEASED | 15AUG2005 | T.K M.K |
|     |      | B           | REVISED  | 26DEC2008 | T.K M.K |
|     |      | B1          | REVISED  | 23FEB2009 | T.K M.K |
|     |      | B2          | REVISED  | 15JUL2009 | S.N M.K |

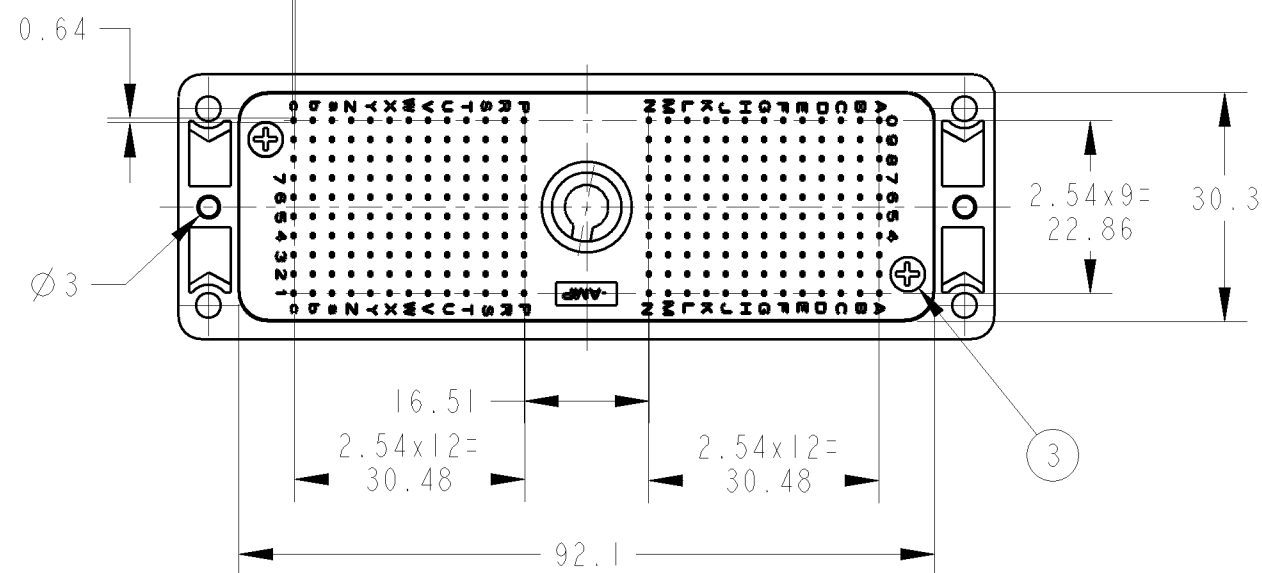


-1: AS SHOWN  
本図



RECOMMENDED PANEL HOLE PATTERN  
推奨パネル取り付け寸法

RoHS COMPLIANT



| ITEM | 名前                                | 数量    | 材質                         | 仕上                            | 備考      |
|------|-----------------------------------|-------|----------------------------|-------------------------------|---------|
| ITEM | DESCRIPTION                       | QTY   | MATERIAL                   | FINISH                        | REMARK  |
| 6    | アダプタ スタビライザ<br>ADAPTER STABILIZER | 1     | 合成樹脂<br>PLASTIC            | 無し<br>NONE                    | UL94V-0 |
| 5    | メタルプレート<br>METAL PLATE            | 1     | ステンレス鋼<br>STAINLESS STEEL  | 無し<br>NONE                    |         |
| 4    | サポートハウジング<br>SUPPORT HOUSING      | 20    | 合成樹脂<br>PLASTIC            | 無し<br>NONE                    | UL94V-0 |
| 3    | タッピングスクリュー<br>TAPPING SCREW L=8   | 2     | 鋼<br>STEEL                 | 3価クロメート<br>TRIVALENT CHROMATE |         |
| 2    | コンタクト<br>0.64x0.4 CONTACT (260)   | (260) | ベリリウム銅<br>BERYLLIUM COPPER | ニッケル下地金メッキ<br>Au OVER Ni PL.  |         |
| 1    | ハウジングリセアッシー<br>HOUSING RECE ASSY  | 1     | ナイロン樹脂<br>NYLON RESIN      | 無し<br>NONE                    | UL94V-0 |

I. PLATING: MATING AREA: 1.27µmMIN GOLD OVER 1.27µmMIN NICKEL  
 SOLDER LEG AREA: GOLD FLASH OVER 1.27µmMIN NICKEL  
 OTHERS: 1.27µmMIN NICKEL

I. めっき: 接触部: ニッケル下地1.27µmMINの上に金1.27µmMIN  
 半田付け部: ニッケル下地1.27µmMINの上に金フラッシュ  
 その他: ニッケル1.27µmMIN

THIS DRAWING IS A CONTROLLED DOCUMENT FOR TYCO ELECTRONICS CORPORATION  
 IT IS SUBJECT TO CHANGE AND THE CONTROLLING ENGINEERING ORGANIZATION  
 SHOULD BE CONTACTED FOR THE LATEST REVISION.

|  |             |           |   |
|--|-------------|-----------|---|
| DWN  | T. KANNO    | 15AUG2005 | Tyco Electronics Corporation<br>Kawasaki, Japan                 |
| CHK  | F. TAKEMASA | 15AUG2005 |   |
| APVD   | M. KIMURA   | 15AUG2005 |   |
| DIMENSIONS: mm<br>   |             |           | NAME<br><b>M-ZIF CONN RECE 260P</b><br><b>SHORT SOLDER TYPE</b> |
| TOLERANCES UNLESS OTHERWISE SPECIFIED:<br>±0.3<br>0-PLC ±<br>1-PLC ±<br>2-PLC ±<br>3-PLC ±<br>4-PLC ±<br>ANGLES ±3 |             |           |   |
| MATERIAL SEE TABLE<br>FINISH SEE TABLE   |             |           | SIZE<br><b>A3</b>   |
| WEIGHT<br>107g   |             |           | CAGE CODE<br><b>00779</b>                                       |
| CUSTOMER DRAWING   |             |           | DRAWING NO<br><b>C=5353174</b>                                  |
| SCALE<br>1:1   |             |           | SHEET<br>1 OF 1   |
| RESTRICTED TO<br>-   |             |           | REV<br><b>B2</b>  |