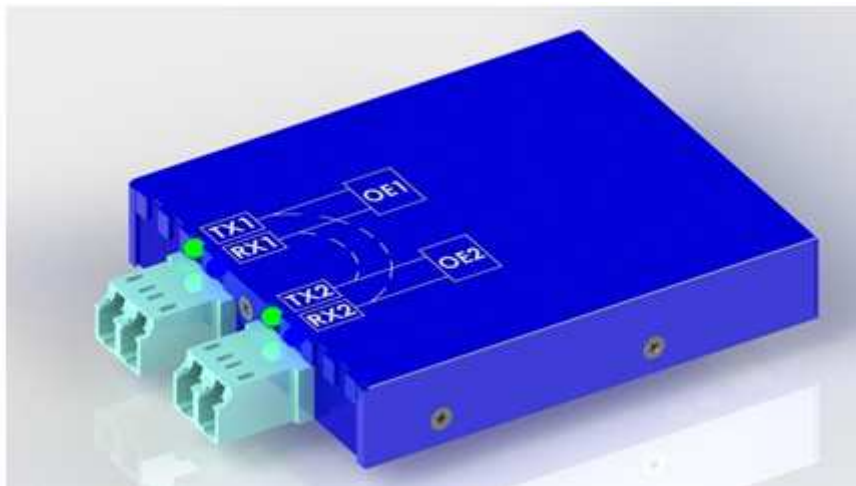


Specification

10G Ethernet Optical Bypass Module

Dual Ports 10G Base-SR



O B M - B 1 C H 2 - P 0 1

Features

- **Reliable Passive Fiber Bypass (Latching)**
- **Low Return Loss**
- **Available in 50/125µm Multimode Fiber**
- **PCB Mountable Type**
- **Fast Ethernet Standard Compliant**
- **Digital Diagnostic SFF-8472 Rev.10.2 Compliant**
- **SONET/SDH Standard Compliant**
- **Two Dual LC Adapter**
- **10G-BASE-SR are available**
- **Compliant with CE & FCC Standard**
- **Compact Format and ROHS Compliant**

Product Overview

Formerica's Dual Port 10 Gbit/s Optical Bypass Module(OBM) is a compact module that contains four 10 G Base-SR ports and can be integrated with I/O port controllers in a Network Interface Card (NIC). This module is targeted for maintaining network connectivity when power failure or system fails in an In-Line Network System.

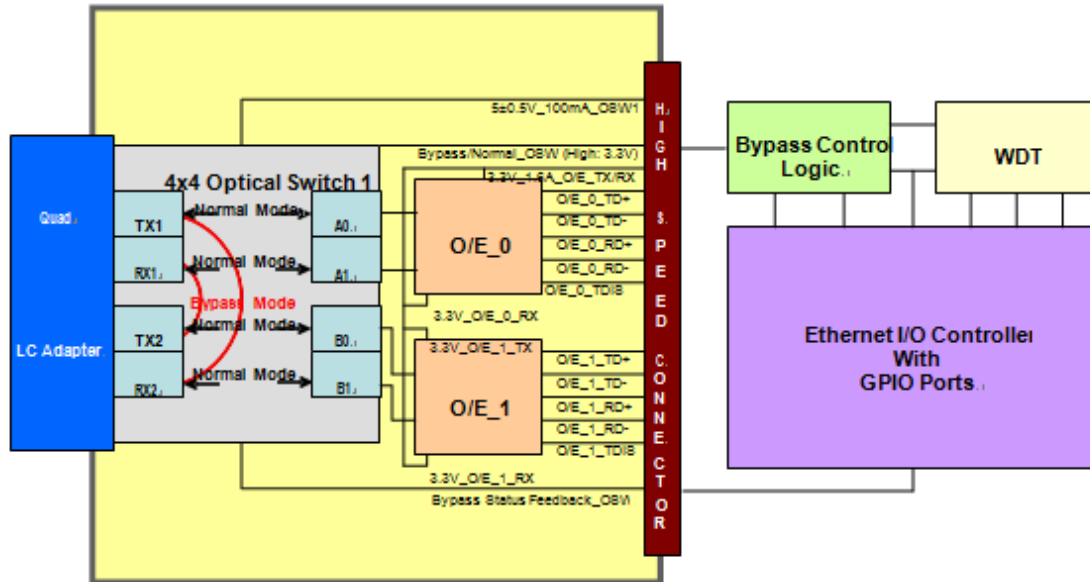
Formerica's Dual Port 10 Gbit/s Optical Bypass Module supports Normal and Bypass modes, and can be configured to perform the Block mode. In Normal mode, two ports function independently. In Bypass mode, signal packets received from one port are loop-backed to the adjacent port. In Block mode, the module blocks the route.

Formerica's Dual Port 10 Gbit/s Optical Bypass Module can Bypass or Block its I/O ports upon a host system failure, power off, or by software request. Formerica's Dual Port 10 Gbits Optical Bypass Module can be integrated with any brand's Controllers CPU. It is suitable for connecting with in-line equipment for power failure or system maintenance.

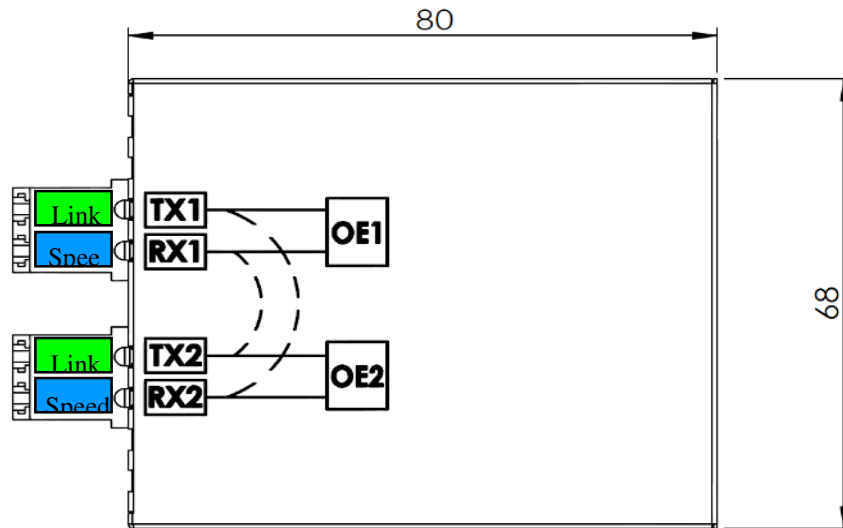
When the In-Line unit is not on or is in bypass mode, the relays within the OBM are set to bridge the optical signals directly through the optical switch, completely bypassing the In-Line equipment.

Formerica's OBM module provides excellent performance and reliable Optical Bypass and Block functions. All routing fibers, switches and electronics network are enclosed in a save and compact housing which provides save and space saving to networking equipment.

Block Diagram and Optical Paths

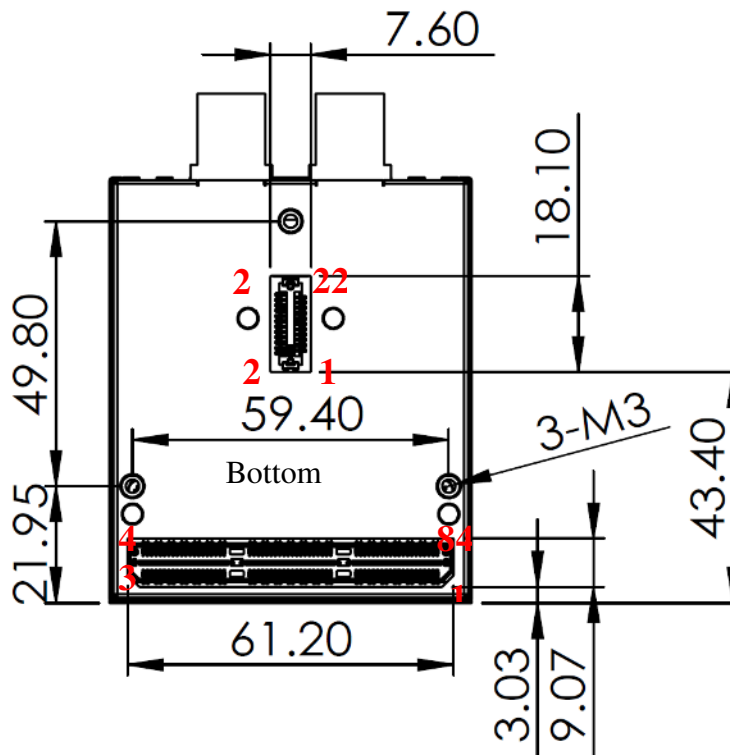


Dual Ports Optical Bypass Module



- Link1 and Link2 indications:
Green: Link
- Speed1 and Speed2 indications:
Blue: Data rate 10.3125G

Module Outline Drawing (mm)



PIN Assignments of 84 pins Connector:

Pin Number	Name	I/O	Function	Note
1				
2	GND			
3	On-Line	O	1K Ohm to Ground	
4	GND			
5	OE1 TX Disable	I	Transmitter Disable for OE-1	2
6	OE1 TX Fault	O	Transmitter Fault Indication for OE-1	1
7	OE1 MOD-DEF2	I/O	2 Wire Serial ID Interface (Data) for OE-1	3
8	OE1 MOD-DEF1	I	2 Wire Serial ID Interface (Clock) for OE-1	3
9	OE1 Vcc		3.3V for Tx1 Power Supply and Rx1 Power Supply – 300mA	
10	OE1-Link	I	OE1-Link LED Indicator (Voltage Low/ LED Green)	
11	OE1-Speed	I	OE1-Speed LED Indicator (Voltage Low / LED Orange)	
12	OE1 Rate Select	I	NA	
13	GND			
14				
15				
16				
17				
18				
19				
20				
21				
22	GND			
23	OE2 TX Disable	I	Transmitter Disable for OE-2	2
24	OE2 TX Fault	O	Transmitter Fault Indication for OE-2	1
25	OE2 MOD-DEF2	I/O	2 Wire Serial ID Interface (Data) for OE-2	3
26	OE2 MOD-DEF1	I	2 Wire Serial ID Interface (Clock) for OE-2	3
27	OE2 Vcc		3.3V for Tx2 Power Supply and Rx2 Power Supply – 300mA	
28	OE-2-Link	I	OE2-Link LED indicator (Voltage Low / LED Green)	
29	OE-2-Speed	I	OE2-Speed LED indicator (Voltage Low / LED Orange)	
30	OE2 Rate Select	I	NA	

31	GND			
32				
33				
34				
35				
36				
37				
38				
39				
40	GND			
41	GND			
42	Vcc5_1		5.0V Power Supply (OSW 1 Power)	8
43	OSW 1 N1	I	Change to Normal mode for OSW1	7/9
44	OSW 1 B1	I	Change to Bypass mode for OSW1	7/9
45	OSW 1 State Output	O	High=Normal Mode, Low=Bypass Mode for OSW1	
46				
47				
48				
49				
50				
51				
52				
53				
54				
55	OE2 LOS	O	Loss of Signal for OE-2	4
56	OE2 GND		OE2 Signal Ground	
57	OE2 RD-	O	OE2 Inversed Data Output	5
58	OE2 RD+	O	OE2 Data Output	5
59	OE2 GND		OE2 Signal Ground	
60	OE2 GND		OE2 Signal Ground	6
61	OE2 TD+	I	OE2 Data Input	6
62	OE2 TD-	I	OE2 Inversed Data Input	
63	OE2 GND		OE2 Signal Ground	
64				
65				
66				

67				
68				
69				
70				
71				
72				
73	OE1 LOS	O	Loss of Signal for OE-1	4
74	OE1 GND		OE1 Signal Ground	
75	OE1 RD-	O	OE1 Inversed Data Output	5
76	OE1 RD+	O	OE1 Data Output	5
77	OE1 GND		OE1 Signal Ground	
78	OE1 GND		OE1 Signal Ground	
79	OE1 TD+	I	OE1 Data Input	6
80	OE1 TD-	I	OE1 Inversed Data Input	6
81	OE1 GND		OE1 Signal Ground	
82				
83				
84				

PIN Assignments of 23 pins Connector:

Pin Number	Name	I/O	Function	Note
1	Vcc5_1		5.0V Power Supper (OSW1 Power)	
2	Vcc5_1		5.0V Power Supper (OSW1 Power)	
3				
4	OE1-Link	I	OE1-Link LED Indicator (Voltage Low/ LED Green)	
5				
6	OE1-Speed	I	OE1-Speed LED Indicator (Voltage Low / LED Orange)	
7				
8	OE2-Link	I	OE2-Link LED indicator (Voltage Low / LED Green)	
9				
10	OE2-Speed	I	OE2-Speed LED indicator (Voltage Low / LED Orange)	
11				
12	OSW 1 State Output	O	High=Normal Mode, Low=Bypass Mode for OSW1	
13	GND			
14	GND			
15				
16	OSW 1 B1	I	Change to Bypass mode for OSW1	
17				
18	OSW 1 N1	I	Change to Normal mode for OSW1	
19			No Connector	
20			No Connector	
21			No Connector	
22				
23				

Notes:

1. TX Fault is an open collector/drain output, which should be pulled up with a 4.7K – 10K Ω resistor on the host board. Pull up voltage between 2.0V and V_{ccT}, R+0.3V. When high, output indicates a laser fault of some kind. Low indicates normal operation. In the low state, the output will be pulled to < 0.5V.
2. TX disable is an input that is used to shut down the transmitter optical output. It is pulled up within the module with a 4.7– 10 K Ω resistor. Its states are:
 - Low (0 – 0.8V): Transmitter on
 - (>0.8, < 2.0V): Undefined
 - High (2.0 – 3.465V): Transmitter Disabled
 - Open: Transmitter Disabled
3. Mod-Def 1,2, These are the module definition pins. They should be pulled up with a 4.7K – 10K Ω resistor on the host board. The pull-up voltage shall be V_{ccT} or V_{ccR} (see Section IV for further details). Mod-Def 0 is grounded by the module to indicate that the module is present Mod-Def 1 is the clock line of two wire serial interface for serial ID Mod-Def 2 is the data line of two wire serial interface for serial ID
4. LOS (Loss of Signal) is an open collector/drain output, which should be pulled up with a 4.7K – 10K Ω resistor. Pull up voltage between 2.0V and V_{ccT}, R+0.3V. When high, this output indicates the received optical power is below the worst-case receiver sensitivity (as defined by the standard in use). Low indicates normal operation. In the low state, the output will be pulled to < 0.5V.
5. RD-/+ : These are the differential receiver outputs. They are AC coupled 100 Ω differential lines which should be terminated with 100 Ω (differential) at the user SERDES. The AC coupling is done inside the module and is thus not required on the host board. The voltage swing on these lines will be between 350 and 850 mV differential (175 – 425 mV single ended) when properly terminated.
6. TD-/+ : These are the differential transmitter inputs. They are AC-coupled, differential lines with 100 Ω differential termination inside the module. The AC coupling is done inside the module and is thus not required on the host board. The inputs will accept differential swings of 180 – 700 mV (90 – 350 mV single-ended).
7. Latching Type - The input is used to control the optical switch mode for OSW
Normal mode: OSW N1/N2: > 3.75V and OSW B1/B2 < 0.5V and over 20ms.
Bypass mode: OSW N1/N2: < 0.5V and OSW B1/B2 >3.75V and over 20ms
8. Non-Latching Type - High =Normal Mode, Low=Bypass Mode for OSW.
9. Non-Latching Type - Pin 43, 44, 82 and 83: Ground

Absolute Maximum Ratings

Parameter	Symbol	Min.	Typ.	Max.	Unit
Storage Temperature	Ts	-40		85	°C
Supply Voltage	Vcc	0		5	V

Recommended Operating Conditions

Parameter	Symbol	Min.	Typ.	Max.	Unit	Note
Case Operating Temperature	Top	0		70	°C	1
+5.0V Supply Voltage	Vcc5	4.75		5.25	V	Vcc5
+3.3V Supply Voltage	Vcc3	3.10		3.50	V	
Relative Humidity (non condensation)		5		85	%	
Data Rate		-100ppm	10.3125	+100ppm	Gbps	

Note1 : Please see order information

Electrical Characteristics

Parameter	Symbol	Min.	Typ.	Max.	Unit	Note
+5.0V Supply Current	Icc5			100	mA	
+3.3V Supply Current	Icc3			1200	mA	
Transmitter						
Transmitter Differential Input Voltage	VDT	180		700	mV	1
Transmitter Disable Input-High	VDISH	2		Vcc+0.3	V	
Transmitter Disable Input-Low	VDISL	0		0.8	V	
Transmitter Fault Pull up Resistor	RTX FAULT	4.7		10	KΩ	2
Transmitter Fault Output-High	VTXFH	2.4		Vcc	V	2
Transmitter Fault Output-Low	VTXFL	0		0.5	V	2
Receiver						
Receiver Differential Output Voltage	VDR	350		850	mV	3
Receiver LOS Load	RRXLOS	4.7		10	KΩ	2
LOS Output Voltage-High	VLOSH	2.4		Vcc	V	2
LOS Output Voltage-Low	VLOSL	0		0.5	V	2
Optical Switch						
Latching Voltage-High	VLATH	4.75	5	5.25	V	
Latching Voltage-Low	VLATL	0		0.8	V	
Latching Resistance	RLAT		125		Ω	

Notes:

1. Internally AC coupled and terminated to 100Ohm differential load
2. Pull up to Vcc on Host Board.
3. Internally AC coupled, but requires a 100Ohm differential termination at or internal to Serializer/Deserializer.

Optical Characteristics(Top=0~70°C, Data Rate=10.3125Gb/sec, PRBS=2³¹-1 NRZ)

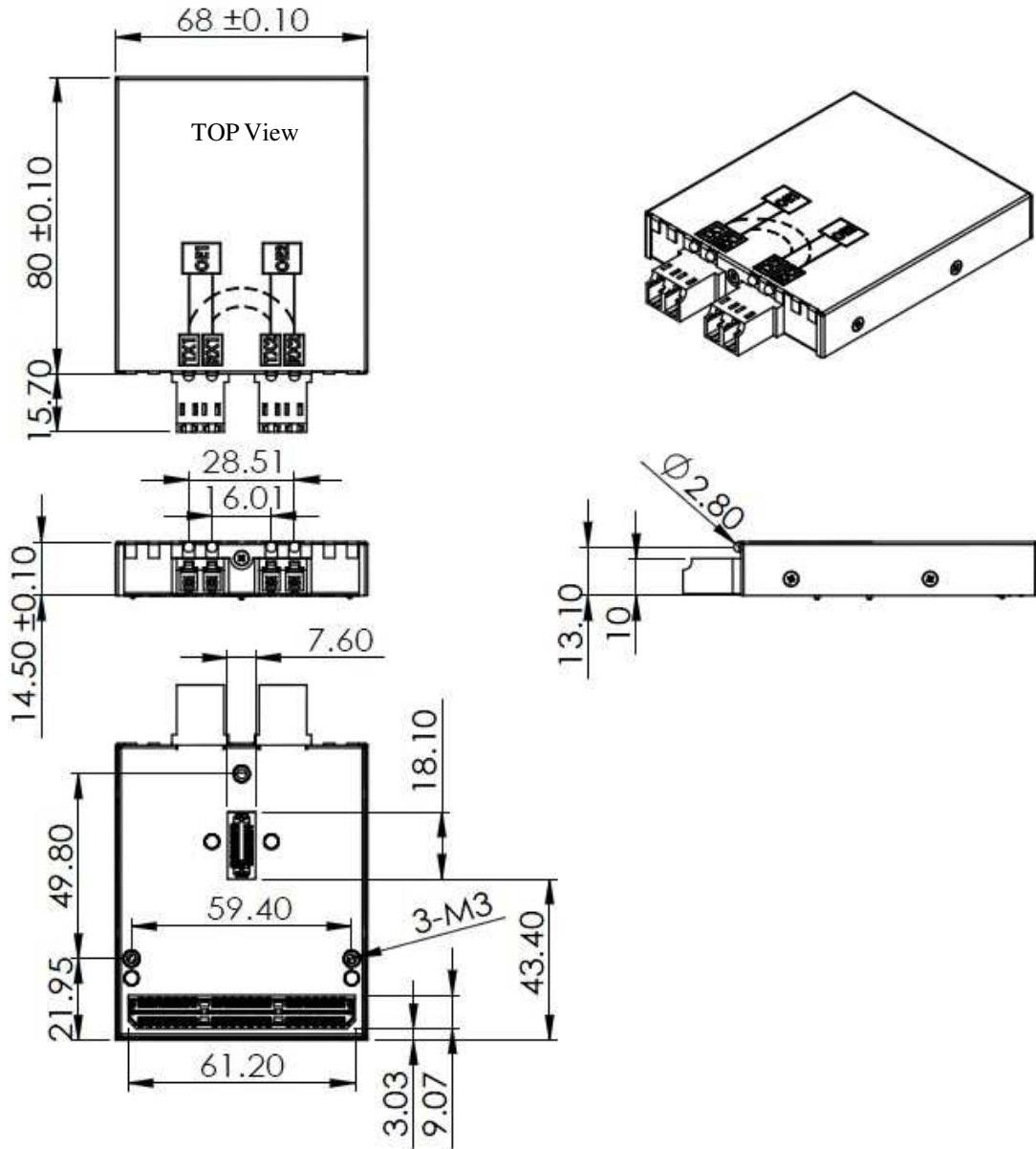
Parameter	Multimode Fiber Type	Min. Modal Bandwidth (MHz*km)	Operating Range (m)	Maximum Channel Intention Loss (dB)
Operating Range	62.5um MMF OM1	200	20 to 33	1.6
	50um MMF OM2	500	2 to 82	1.8
	50um MMF OM3	2000	2 to 300	2.6

Parameter	Symbol	Min.	Typ.	Max.	Unit	Note
Transmitter						
Output Optical Power (Avg.)	P _o	-7.1		-1	dBm	1
Optical Extinction Ratio	ER	3.5			dB	
Center Wavelength	λ	840	850	860	nm	
Spectral Width (RMS)	σλ			0.45	nm	
Receiver						
Sensitivity (OMA)	Sens (OMA)			-11.1	dBm	1,2
Input Optical Wavelength	λ	840		860	DBm	
Return Loss				-12	dB	
LOS-Deasserted (Avg.)	P _{SA}			-14	dBm	
LOS-Asserted (Avg.)	P _{SD}	-30			dBm	
LOS-Hysteresis	P _{SH}	0.5			dB	
Overload	P _{MAX}			-1	dBm	
Optical Switch						
Wavelength Range	λ	670		980	nm	
Insertion Loss	OIL			1.8	dB	
Return Loss	ORL	30			dB	
Switch Time				8	ms	
Lifetime			≥ 10 ⁷		times	
Latching Resistance	RLAT		125		Ω	

Notes:

1. Normal Mode (Bypass off).
2. The sensitivity provided at a BER of 1×10⁻¹² or better with an input signal consisting of 10.3125Gb/s, 2³¹-1 PRBS

Package Outline Drawing (mm)



ESD

Normal ESD precautions are required during the handling of this module. This transceiver is shipped in ESD protective packaging. It should be removed from the packaging and handled only in an ESD protected environment.

Contact Information

Formerica OptoElectronics Inc.

5F-11, No.38, Taiyuan St., Zhubei City,
Hsinchu County 30265, Taiwan

Tel: +886-3-5600286

Fax: +886-3-5600239

San Diego, CA

Tel: 1-949-466-8069

inquiry@formericaoe.com

www.formericaoe.com