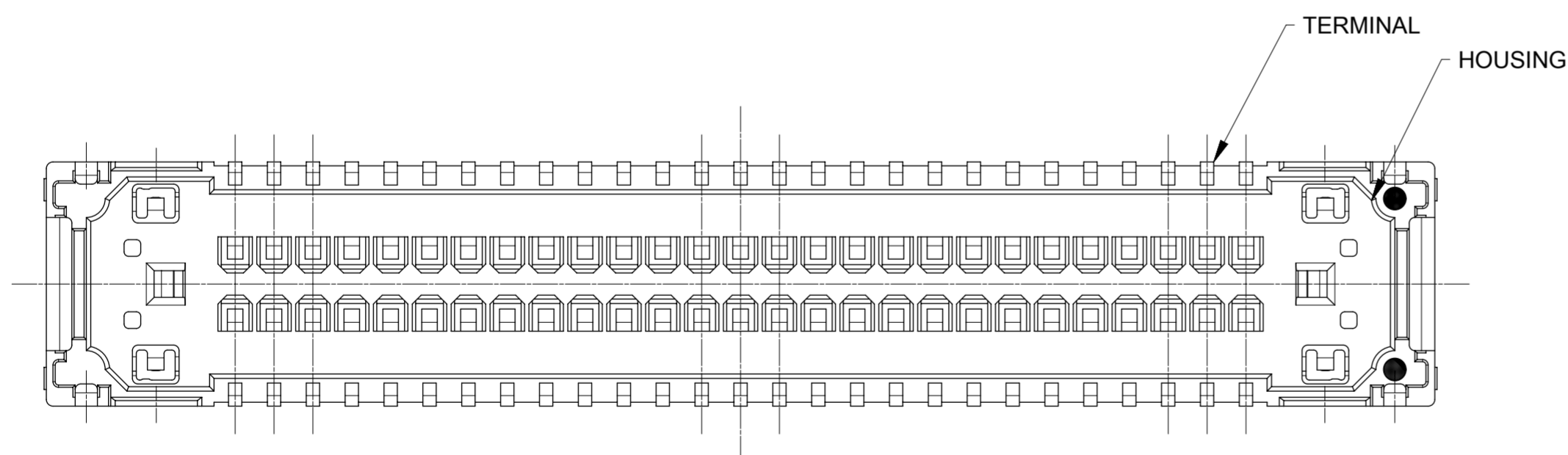
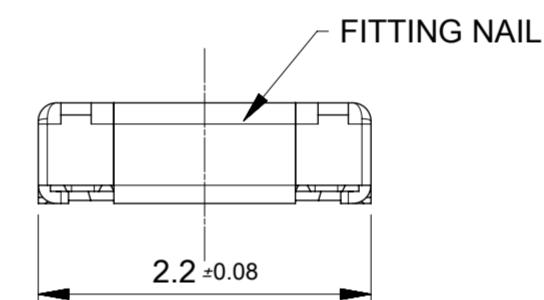
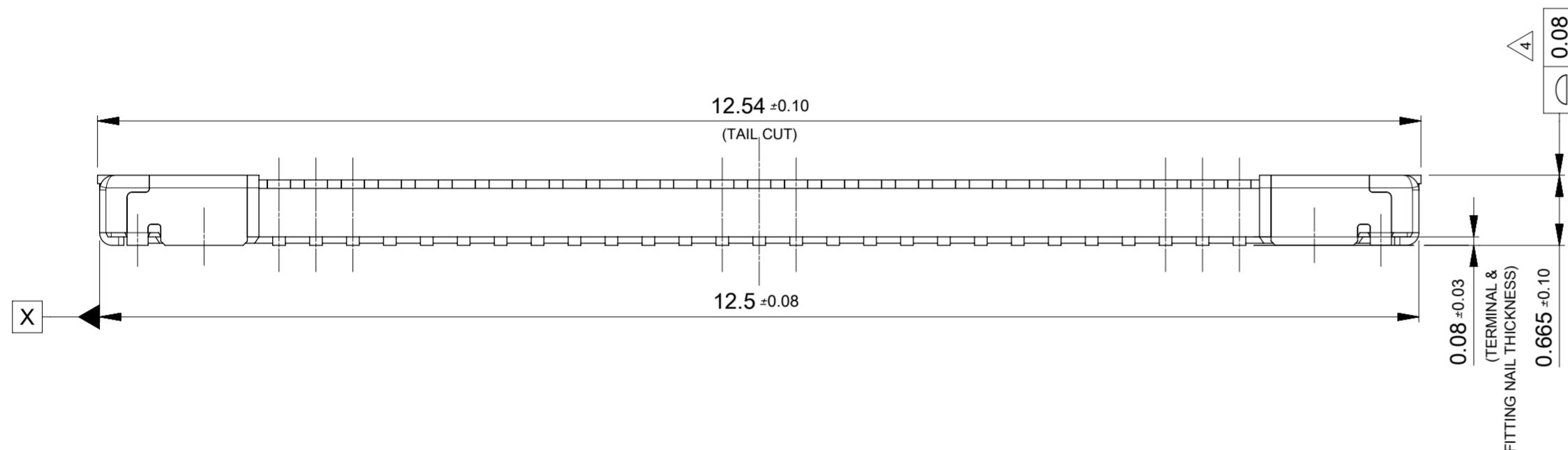
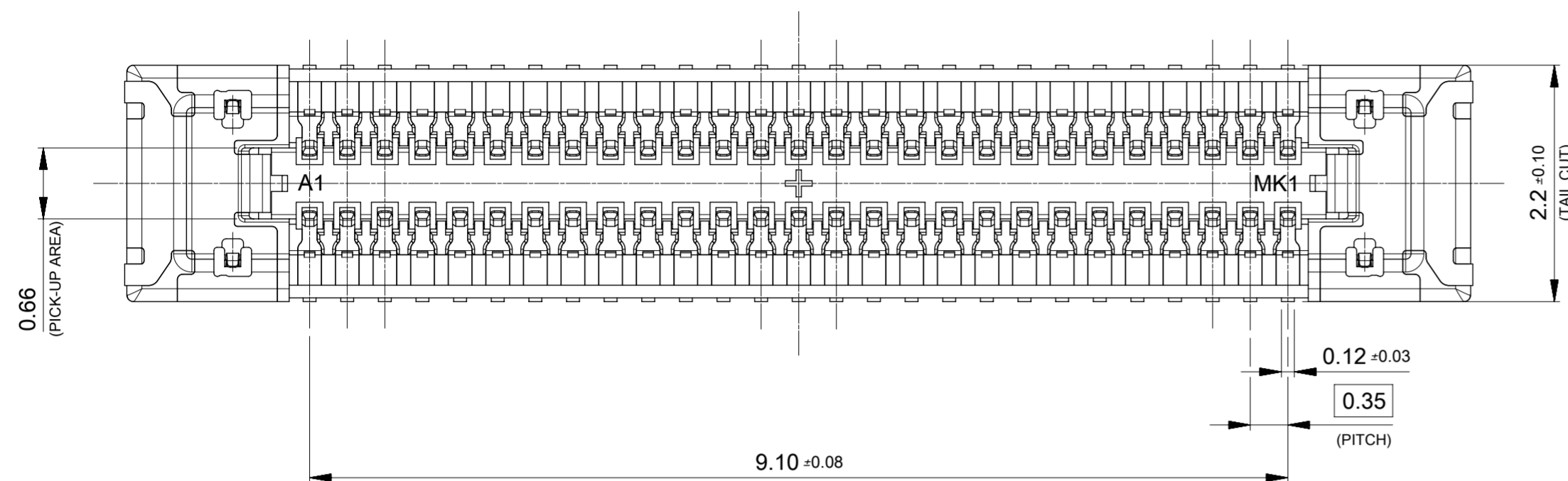


NOTES

1. MATERIAL  
HOUSING : LIQUIDE CRISTAL POLYMER UL94V-0 (COLOR:BLACK)  
TERMINAL : COPPER ALLOY  
FITTING NAIL : COPPER ALLOY
2. PLATING  
- TERMINAL  
CONTACT AREA : GOLD 0.1um MIN.  
TAIL AREA : GOLD 0.05um MIN.  
BASE PLATING : Ni 1.0um MIN.  
- FITTING NAIL(POWER)  
CONTACT AREA : GOLD 0.1um MIN.  
TAIL AREA : GOLD 0.05um MIN.  
BASE PLATING : Ni 1.0um MIN.  
DIVIDE INTO PARTS THE GOLD PLATING OF THE CONTACT AND THE TAIL PART BY THE NICKEL BARRIER.
3. MATE WHTH : 2074720540
4. COPLANARITY : SHALL BE 0.08MAX. ON BOTH OF TERMINAL AND NAIL.  
(FOR EACH AREA, THE WIRING THAT TOUCHES ON THE SOLDER CAN BE ATTACHED, THEN COVERED WITH A FILM TO KEEP SOLDER OUT)



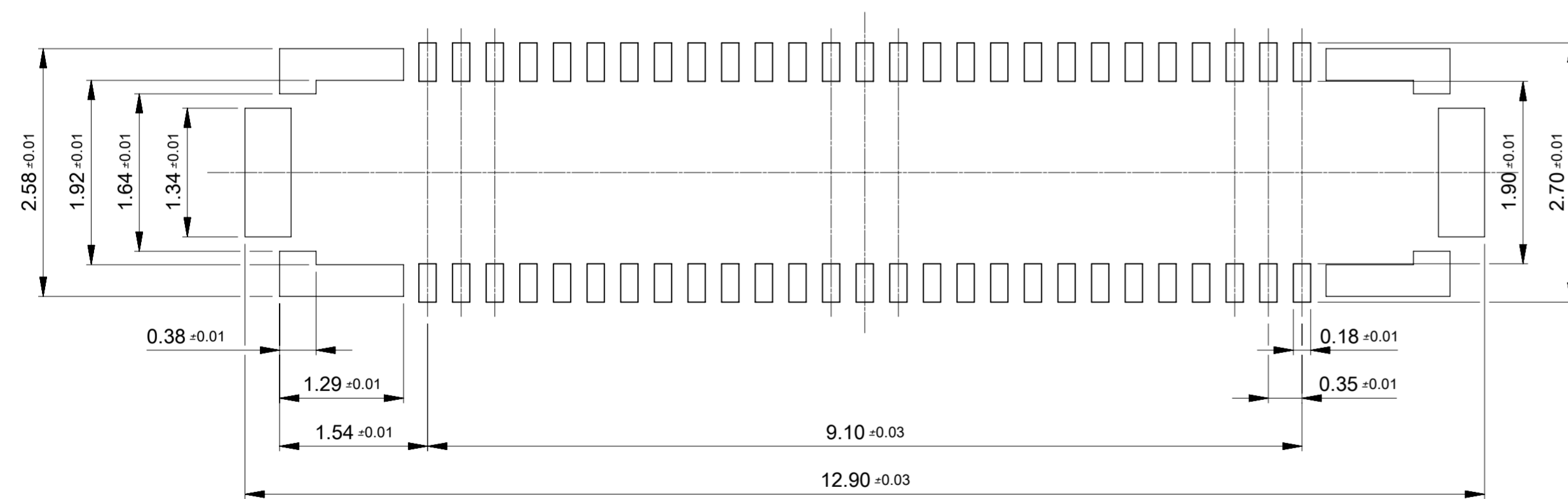
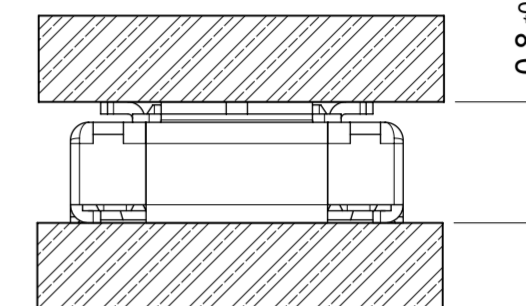
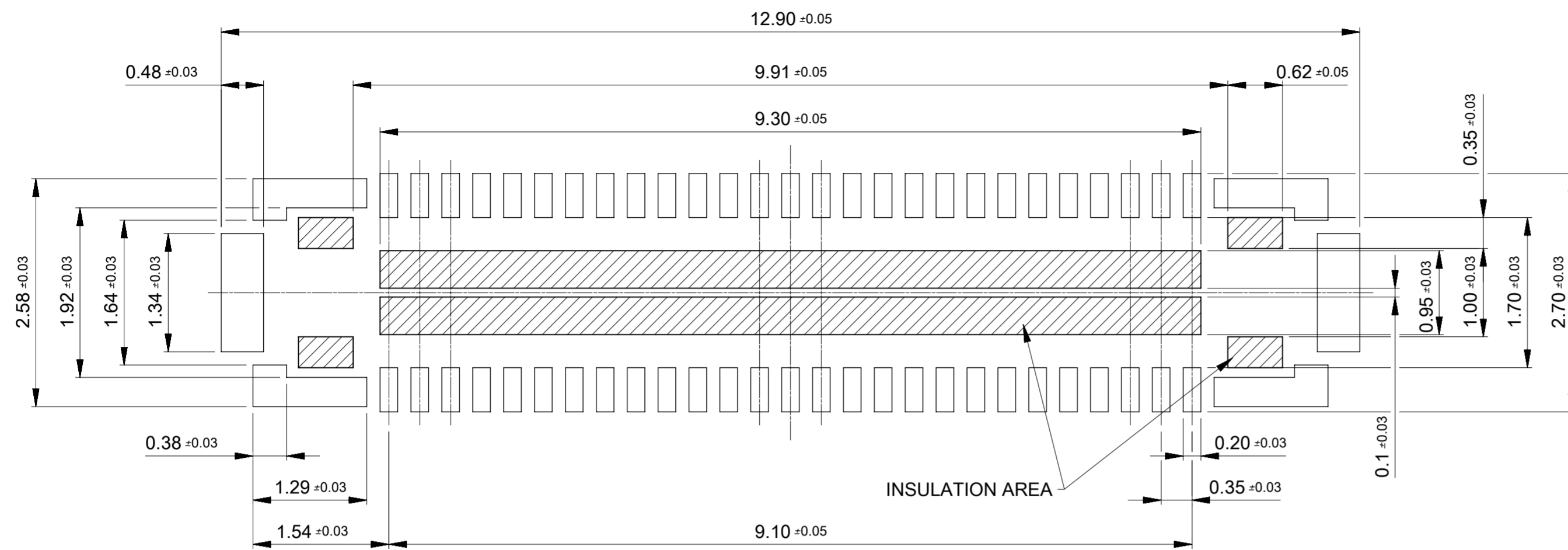
2074710541	O	---	54
EMBOSSD TAPE PACKAGE	HIGH VOL. TOOL	LOW VOL. TOOL	Ckts
	SAMPLE PREPARATION		
ORDER No.	O : TOOLED □ : WORK PROCESS --- : TOOLING TO BE CONFIRMED		
CONNECTOR SERIES No. : 2074710540			

SYMBOLS	THIS DRAWING CONTAINS INFORMATION THAT IS PROPRIETARY TO MOLEX ELECTRONIC TECHNOLOGIES, LLC AND SHOULD NOT BE USED WITHOUT WRITTEN PERMISSION			
	DIMENSION UNITS	SCALE	CURRENT REV DESC:	
	mm	20:1		
	GENERAL TOLERANCES (UNLESS SPECIFIED)			
∇ = 0	ANGULAR TOL ± 1.0°	EC NO: 626666		
∇ = 0	4 PLACES ± 0.05	DRWN: SYKO01	2019/10/17	
∇ = 0	3 PLACES ± 0.05	CHK'D: KSKIM	2019/11/01	
∇ = 0	2 PLACES ± 0.05	APPR: YSKIM02	2019/11/03	
∇ = 0	1 PLACE ± 0.1	INITIAL REVISION:		
∇ = 0	0 PLACES ± 0.2	DRWN: SYKO01	2019/01/03	
∇ = 0	DRAFT WHERE APPLICABLE MUST REMAIN WITHIN DIMENSIONS	APPR: YSKIM02	2019/04/12	
	THIRD ANGLE PROJECTION	DRAWING	SERIES	DOCUMENT NUMBER
		A2-SIZE	207471	2074710540
				DOC TYPE
				PSD
				DOC PART
				001
				REVISION
				B
				MATERIAL NUMBER
				SEE SHEET 1
				CUSTOMER
				GENERAL
				SHEET NUMBER
				1 OF 2

**molex**

0.35 BTB REC ASSY 54CKTS

PRODUCT CUSTOMER DRAWING



METAL MASK THICKNESS : WHEN 0.08mm  
 - SIGNAL TERMINAL OPENING RATIO : 70%  
 - FITTING NAIL(POWER)OPENING RATIO : 100%

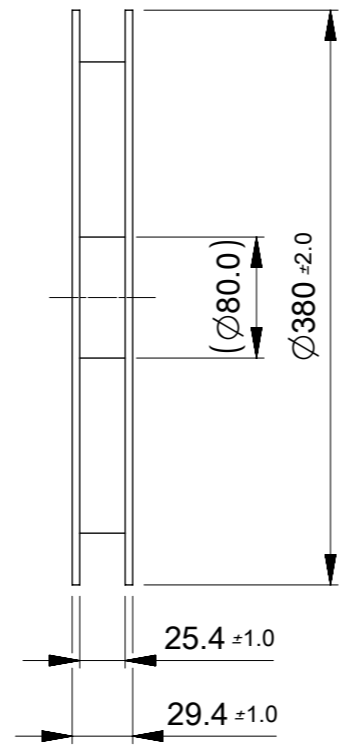
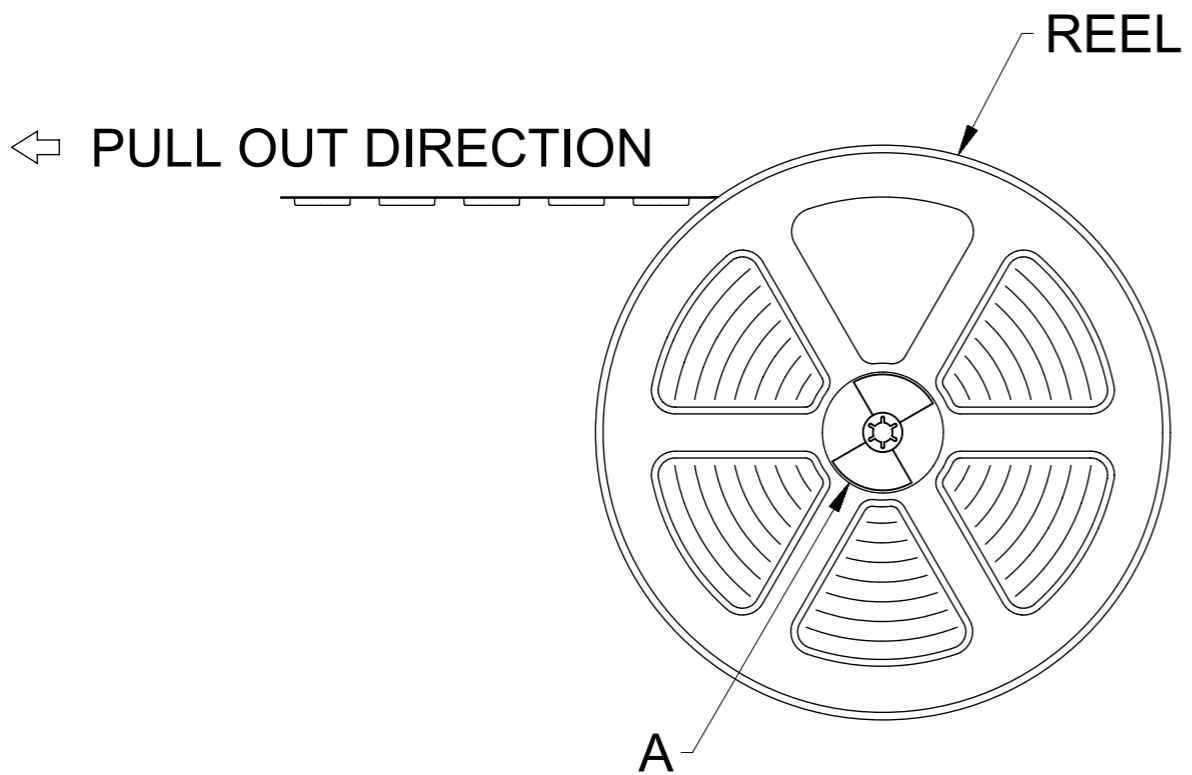
SYMBOLS	THIS DRAWING CONTAINS INFORMATION THAT IS PROPRIETARY TO MOLEX ELECTRONIC TECHNOLOGIES, LLC AND SHOULD NOT BE USED WITHOUT WRITTEN PERMISSION		
	DIMENSION UNITS	SCALE	CURRENT REV DESC:
∇ = 0	mm	20:1	EC NO: 626666 DRWN: SYKO01 2019/10/17 CHK'D: KSKIM 2019/11/01 APPR: YSKIM02 2019/11/03 INITIAL REVISION: DRWN: SYKO01 2019/01/03 APPR: YSKIM02 2019/04/12
∇ = 0	GENERAL TOLERANCES (UNLESS SPECIFIED)		
∇ = 0	ANGULAR TOL ± 1.0°		
∇ = 0	4 PLACES ± 0.05		
∇ = 0	3 PLACES ± 0.05		
∇ = 0	2 PLACES ± 0.05		PRODUCT CUSTOMER DRAWING
∇ = 0	1 PLACE ± 0.1		
∇ = 0	0 PLACES ± 0.2		DOCUMENT NUMBER
∇ = 0	DRAFT WHERE APPLICABLE MUST REMAIN WITHIN DIMENSIONS		2074710540
	THIRD ANGLE PROJECTION	DRAWING	DOC TYPE
		A2-SIZE	PSD
	SERIES	207471	DOC PART
	MATERIAL NUMBER	SEE SHEET 1	001
	CUSTOMER	GENERAL	REVISION
			B
	SHEET NUMBER	2 OF 2	



0.35 BTB REC ASSY 54CKTS

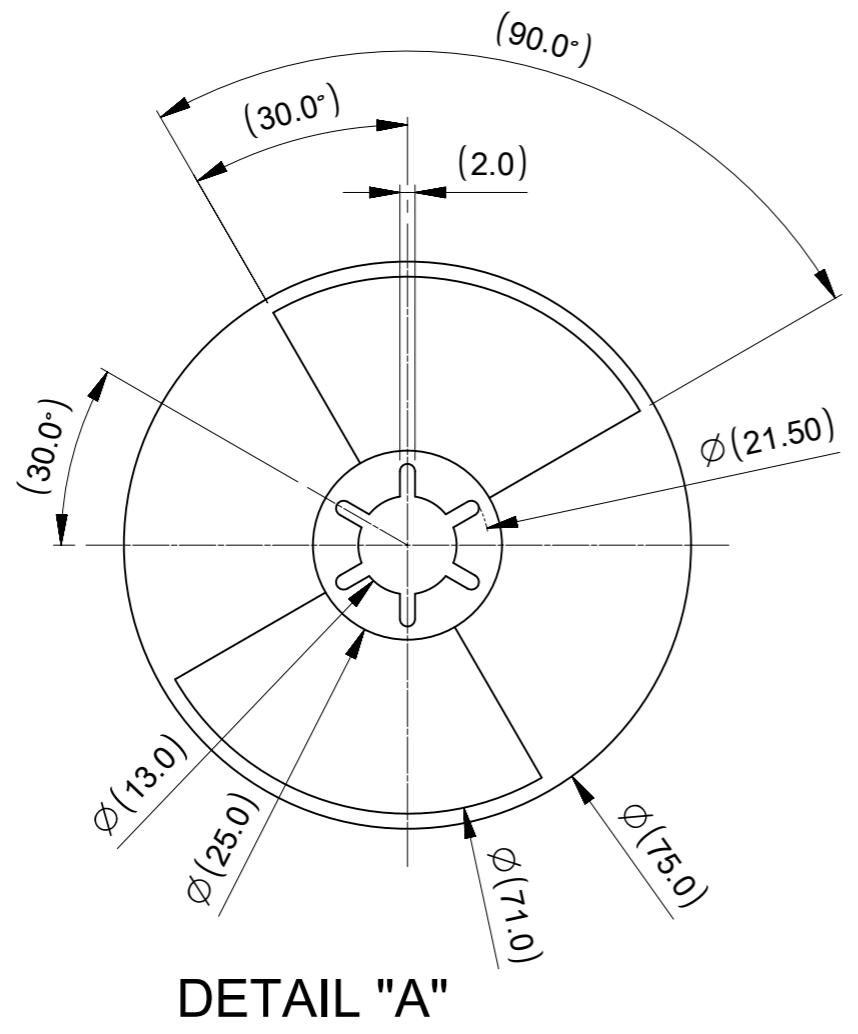
PRODUCT CUSTOMER DRAWING

2074710540 PSD 001 B

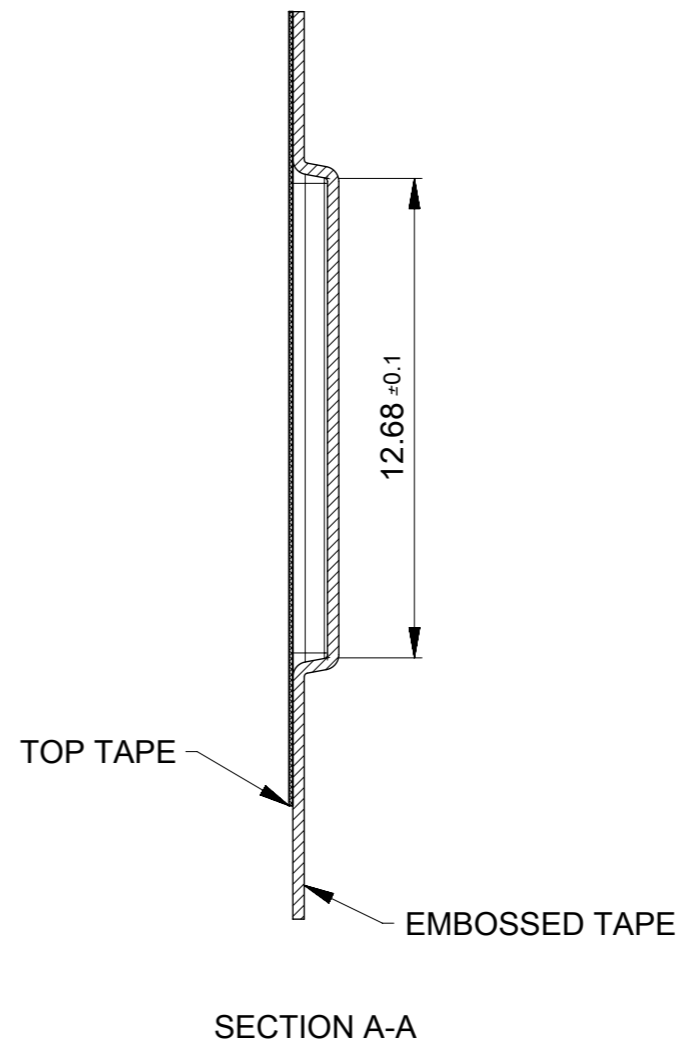
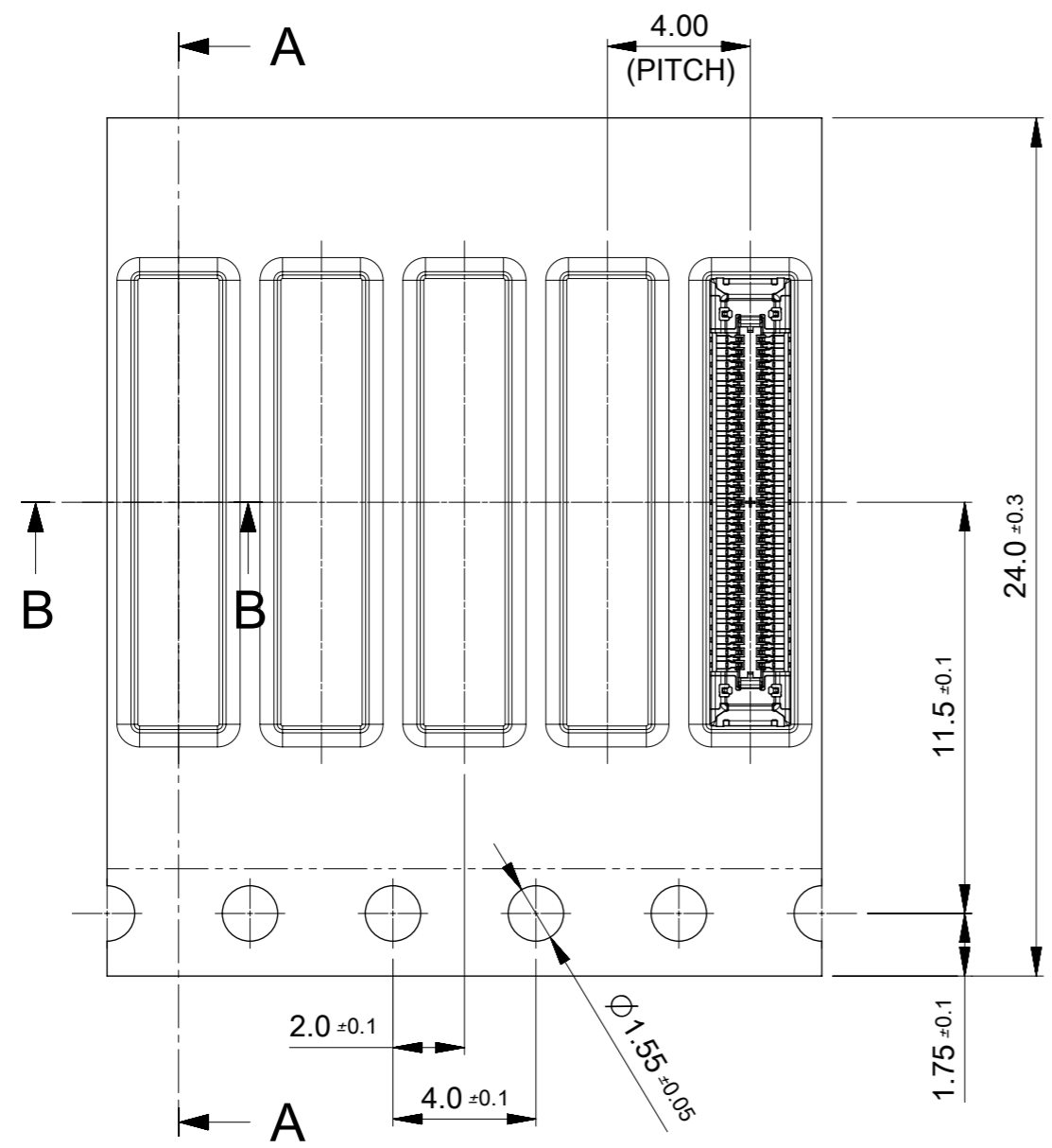


NOTES

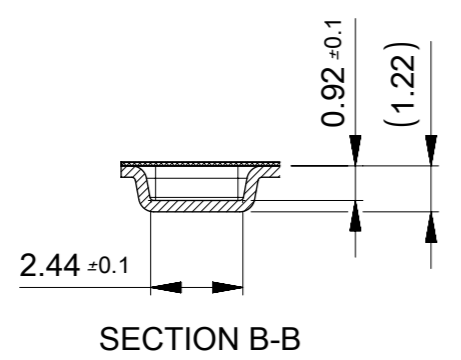
1. RE DETAILED DIMENSION, SEE PRODUCT DRAWING.
2. NUMBER OF CONNECTORS : 15,000PCS/REEL
3. LEAD TAPE LENGTH :
  - PULL OUT DIRECTION
  - 100 MIN. TOP TAPE BONDED PART (EMPTY)
  - 400 MIN. TOP TAPE LEADER PART
  - COMPONENT SUPPLIER
  - 160 MIN. TAIL PART (EMPTY)
4. PEEL OFF FORCE OF THE TOP TAPE IS DEFINED BY IEC 60286-3.
5. MATERIAL
  - CARRIER TAPE : POLYSTYRENE OR PET
  - TOP TAPE : PET, OTHER
  - REEL : POLYSTYRENE(PS) [RECYCLE MATERIAL CONTAINED]
6. ELV AND RoSH COMPLIANT.
7. REFER TO 2074710540PS001 FOR CONDITIONS AFTER OPENED THE PACKAGE.



SYMBOLS		THIS DRAWING CONTAINS INFORMATION THAT IS PROPRIETARY TO MOLEX ELECTRONIC TECHNOLOGIES, LLC AND SHOULD NOT BE USED WITHOUT WRITTEN PERMISSION	
$\nabla = 0$	mm	SCALE	1:1
$\nabla = 0$	GENERAL TOLERANCES (UNLESS SPECIFIED)		
$\nabla = 0$	ANGULAR TOL $\pm 1.0^\circ$		
$\nabla = 0$	4 PLACES	$\pm 0.05$	
$\nabla = 0$	3 PLACES	$\pm 0.05$	
$\nabla = 0$	2 PLACES	$\pm 0.05$	
$\nabla = 0$	1 PLACE	$\pm 0.1$	
$\nabla = 0$	0 PLACES	$\pm 0.2$	
$\square = 0$	DRAFT WHERE APPLICABLE MUST REMAIN WITHIN DIMENSIONS		
$\nabla = 0$	THIRD ANGLE PROJECTION		
CURRENT REV DESC:		molex	
EC NO: 626666		0.35 BTB REC ASSY 54CKTS EMBSTP PKG	
DRWN: SYKO01		2019/08/29	
CHK'D: KSKIM		2019/11/01	
APPR: YSKIM02		2019/11/03	
INITIAL REVISION:		PRODUCT CUSTOMER DRAWING	
DRWN: SYKO01		DOCUMENT NUMBER	
APPR: YSKIM02		2074710541	
2019/01/03		DOC TYPE	
2019/04/12		PSD	
		DOC PART	
		000	
		REVISION	
		A1	
DRAWING		SHEET NUMBER	
A3-SIZE		1 OF 2	
SERIES		MATERIAL NUMBER	
207471		SEE CHART	
CUSTOMER		GENERAL	



← PULL OUT DIRECTION



THIS DRAWING CONTAINS INFORMATION THAT IS PROPRIETARY TO MOLEX ELECTRONIC TECHNOLOGIES, LLC AND SHOULD NOT BE USED WITHOUT WRITTEN PERMISSION									
SYMBOLS	DIMENSION UNITS	SCALE	CURRENT REV DESC:						
	mm	5:1	<p><b>molex</b></p> <p>0.35 BTB REC ASSY 54CKTS EMBSTP PKG</p>						
GENERAL TOLERANCES (UNLESS SPECIFIED)			<p>EC NO: 626666</p> <p>DRWN: SYKO01 2019/08/29</p> <p>CHK'D: KSKIM 2019/11/01</p> <p>APPR: YSKIM02 2019/11/03</p>						
▽ = 0	ANGULAR TOL	± 1.0 °	INITIAL REVISION:						
▽ = 0	4 PLACES	± 0.05	DRWN: SYKO01 2019/01/03						
▽ = 0	3 PLACES	± 0.05	APPR: YSKIM02 2019/04/12						
▽ = 0	2 PLACES	± 0.05	DOCUMENT NUMBER						
▽ = 0	1 PLACE	± 0.1	2074710541						
▽ = 0	0 PLACES	± 0.2	PSD 000 A1						
■ = 0	DRAFT WHERE APPLICABLE MUST REMAIN WITHIN DIMENSIONS		THIRD ANGLE PROJECTION	DRAWING	SERIES	MATERIAL NUMBER	CUSTOMER	SHEET NUMBER	
▽ = 0				A3-SIZE	207471	SEE CHART	GENERAL	2 OF 2	