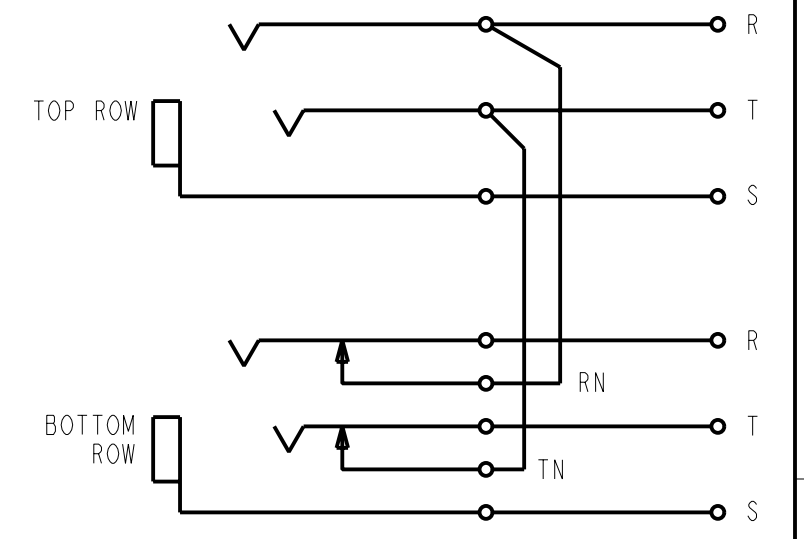
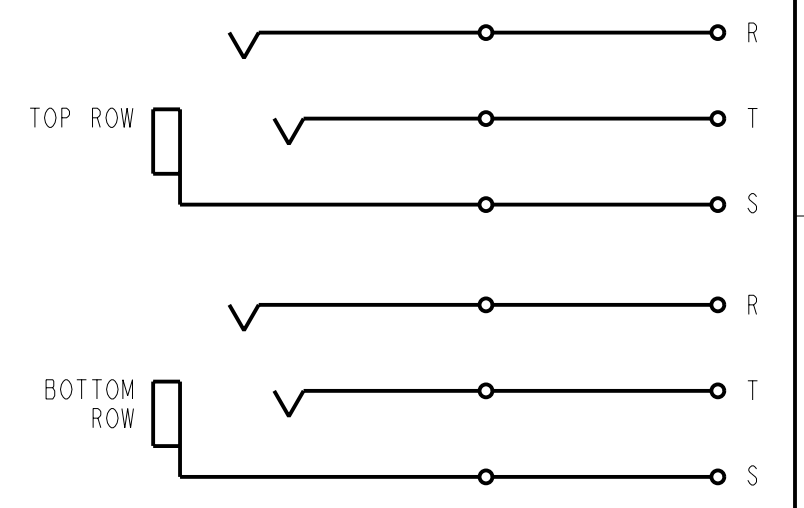


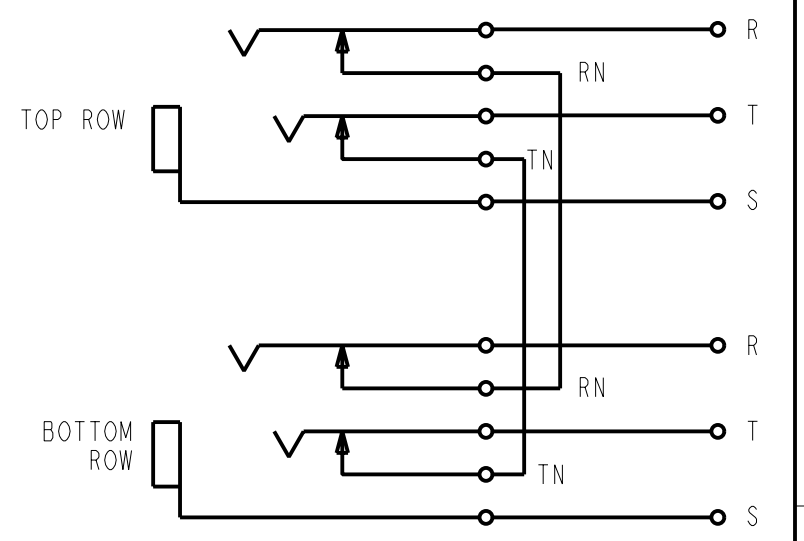
MARKING STRIP COVERS  
MARKING STRIPS  
(THESE PARTS REMOVED FOR CLARITY)  
SEE NOTE 2



TTPW96K3HN  
SCHEMATIC



TTPW96K3NN  
SCHEMATIC



TTPW96K3NS  
SCHEMATIC

PART NUMBER	PATCH PANEL TYPE SEE SCHEMATIC
TTPW96K3HN	HALF NORMAL
TTPW96K3NN	NON-NORMAL
TTPW96K3NS	FULL NORMAL NORMALS STRAPPED

CUSTOMER DRAWING

- NOTES:
- MATERIALS:  
FRONT & BACK PANELS - ALUMINUM, BLACK ANODIZE  
TOP & BOTTOM COVERS - ALUMINUM, BLACK ANODIZE  
SIDE PANELS - ALUMINUM, BLACK ANODIZE  
CABLE SUPPORT - STEEL, BLACK EPOXY  
IDC HOUSING - THERMOPLASTIC, BLACK, RED & WHITE  
IDC TERMINALS - SPECIAL COPPER ALLOY, TIN PLATED  
JACK INSERT MOUNTING BLOCK - THERMOPLASTIC, BLACK  
JACK BUSHING - COPPER ALLOY, NICKEL PLATED  
JACK FRAME - STEEL, NICKEL PLATED
  - DS383 KIT (MARKING STRIPS AND COVERS) SHIPPED UNASSEMBLED.
  - K520 KIT (TEFLON TUBING) SHIPPED UNASSEMBLED.

REV	ECO NUMBER	DATE	BY	APVD
B	25041	4-21-05	TO	TJK
A	24779	9-10-04	JL	JF

★ STAR SYMBOL DENOTES CRITICAL DIMENSION

UNLESS OTHERWISE SPECIFIED

- ALL DIMENSIONS IN INCHES  
- TWO PLACE DECIMALS ±0.01  
- THREE PLACE DECIMALS ±0.005  
- ANGLES ±1°  
- ALL DIA. CONCENTRIC WITHIN 0.005 T.I.R.
- FEATURES ON THE SAME CENTERLINE MUST BE ALIGNED WITHIN ±0.002
- REMOVE ALL BURRS

DO NOT SCALE DRAWING

THIS DRAWING DESCRIBES A DESIGN CONSIDERED PROPRIETARY IN NATURE, DEVELOPED AND MANUFACTURED BY SWITCHCRAFT INC. AND IS RELEASED ON A CONFIDENTIAL BASIS FOR IDENTIFICATION PURPOSES ONLY.

SIZE	WIDTH	MULT	LBS/M	TEMPER
FINISH		MATERIAL		
SPEC No.		SPEC No.		
FIRST USED ON		SCALE 1:2		
DATE DRAWN	BY	CHKD	APVD	
03-May-12	JL	JF	JF	
		9-10-04	9-10-04	
NAME		PART No.		REV
2RU WIRED, TT JACK DIGITAL PATCH PANEL		TTPW96K3__SERIES		B

Switchcraft®

SHEET | OF |