

HA178L02/56/06/09/10 Series

3-terminal Fixed Voltage Regulators

REJ03D0918-0100

Rev.1.00

Jan 16, 2009

Description

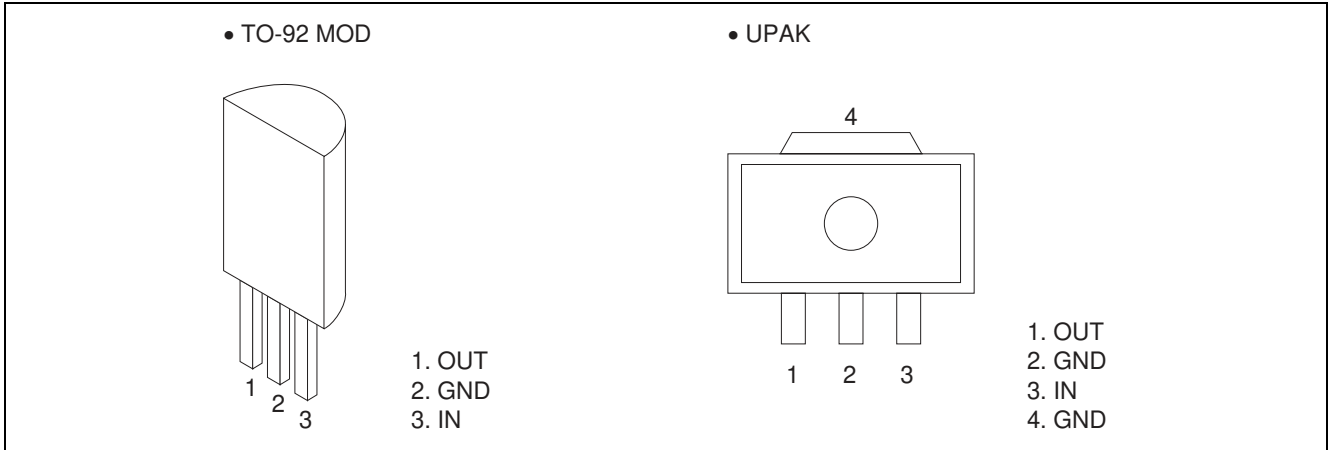
The HA178L02/56/06/09/10 series three-terminal fixed output voltage regulators. Can be used not only as stabilized power sources, but also as Zener diodes because of their small outline package.

Features

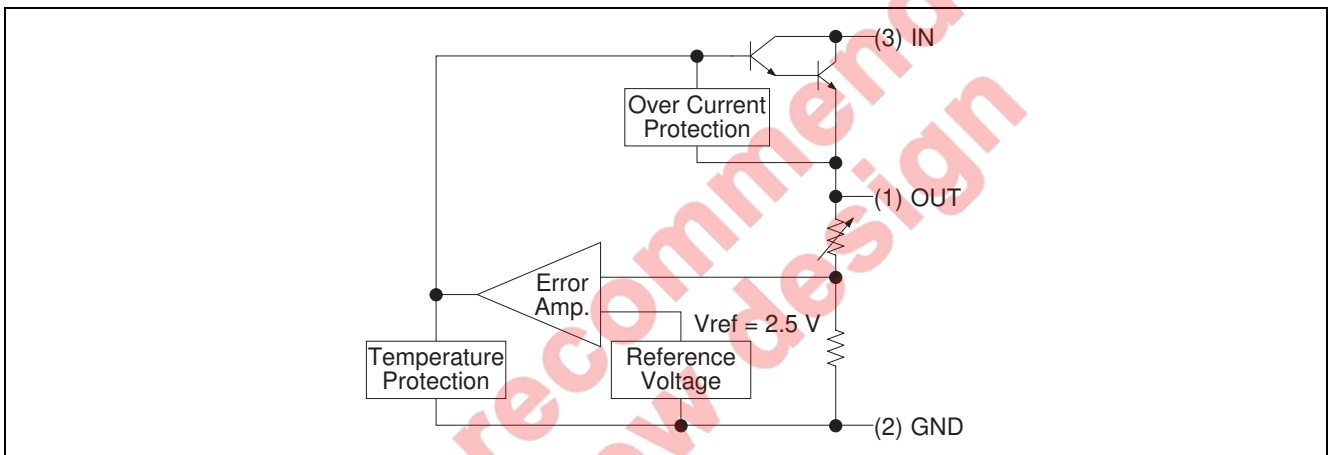
- Maximum output current: 150 mA ($T_j = 25^\circ\text{C}$)
- Large maximum power dissipation: 800 mW
- Over current protection
- Temperature protection circuit
- Ordering Information

Part No.	Output Voltage (V)	Output Voltage Tolerance (%)	Package Name	Package Code	Taping Abbreviation (Quantity)	Application
HA178L02-TZ	2.5	±8	TO-92MOD	PRSS0003DC-A	TZ (2,500pcs/box)	Commercial use
HA178L02P-TZ						Industrial use
HA178L02A-TZ		±5	UPAK	PLZZ0004CA-A	TL (1,000pcs/reel)	Commercial use
HA178L02PA-TZ						Industrial use
HA178L02UA-TL						Commercial use
HA178L56-TZ	5.6	±8	TO-92MOD	PRSS0003DC-A	TZ (2,500pcs/box)	Commercial use
HA178L56P-TZ						Industrial use
HA178L56A-TZ		±5	UPAK	PLZZ0004CA-A	TL (1,000pcs/reel)	Commercial use
HA178L56PA-TZ						Industrial use
HA178L56UA-TL						Commercial use
HA178L06-TZ	6	±8	TO-92MOD	PRSS0003DC-A	TZ (2,500pcs/box)	Commercial use
HA178L06P-TZ						Industrial use
HA178L06A-TZ		±5	UPAK	PLZZ0004CA-A	TL (1,000pcs/reel)	Commercial use
HA178L06PA-TZ						Industrial use
HA178L06UA-TL						Commercial use
HA178L09-TZ	9	±8	TO-92MOD	PRSS0003DC-A	TZ (2,500pcs/box)	Commercial use
HA178L09P-TZ						Industrial use
HA178L09A-TZ		±5	UPAK	PLZZ0004CA-A	TL (1,000pcs/reel)	Commercial use
HA178L09PA-TZ						Industrial use
HA178L09UA-TL						Commercial use
HA178L10TZ	10	±8	TO-92MOD	PRSS0003DC-A	TZ (2,500pcs/box)	Commercial use
HA178L10P-TZ						Industrial use
HA178L10A-TZ		±5	UPAK	PLZZ0004CA-A	TL (1,000pcs/reel)	Commercial use
HA178L10PA-TZ						Industrial use
HA178L10UA-TL						Commercial use

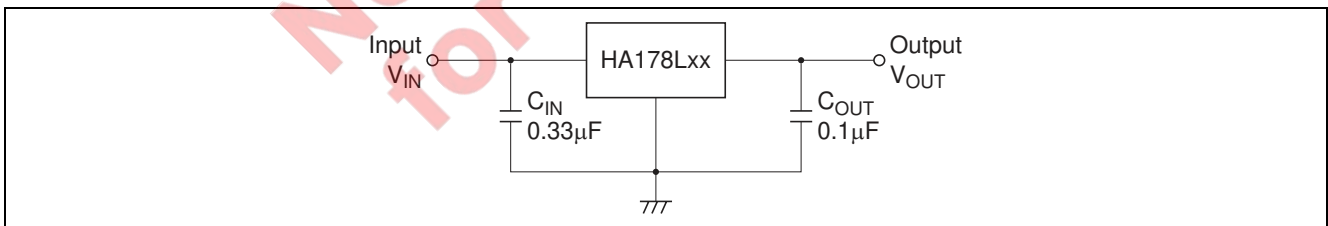
Pin Arrangement



Block Diagram



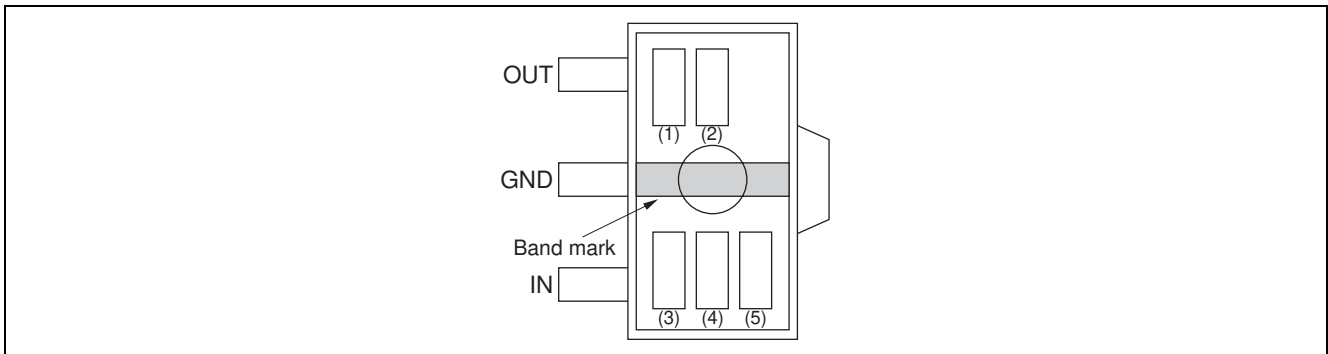
Standard Circuit



UPAK Product (HA178LxxUA) Mark Patterns

The mark patterns shown below are used on UPAK products, as the package is small. Note that the product code and mark pattern are different.

The pattern is laser-printed.



- Notes: 1. Boxes (1) to (5) in the figures show the position of the letters or numerals, and are not actually marked on the package.
 2. (1) and (2) show the product-specific mark pattern.

Output Voltage (V)	Part No.	Mark Pattern (2 digit)
2.5	HA178L02UA	8A
5.6	HA178L56UA	8C
6	HA178L06UA	8D
9	HA178L09UA	8F
10	HA178L10UA	8G

3. (3) shows the production year code (the last digit of the year).
 4. (4) shows the production month code.

Production Month	1	2	3	4	5	6	7	8	9	10	11	12
Marked Code	A	B	C	D	E	F	G	H	J	K	L	M

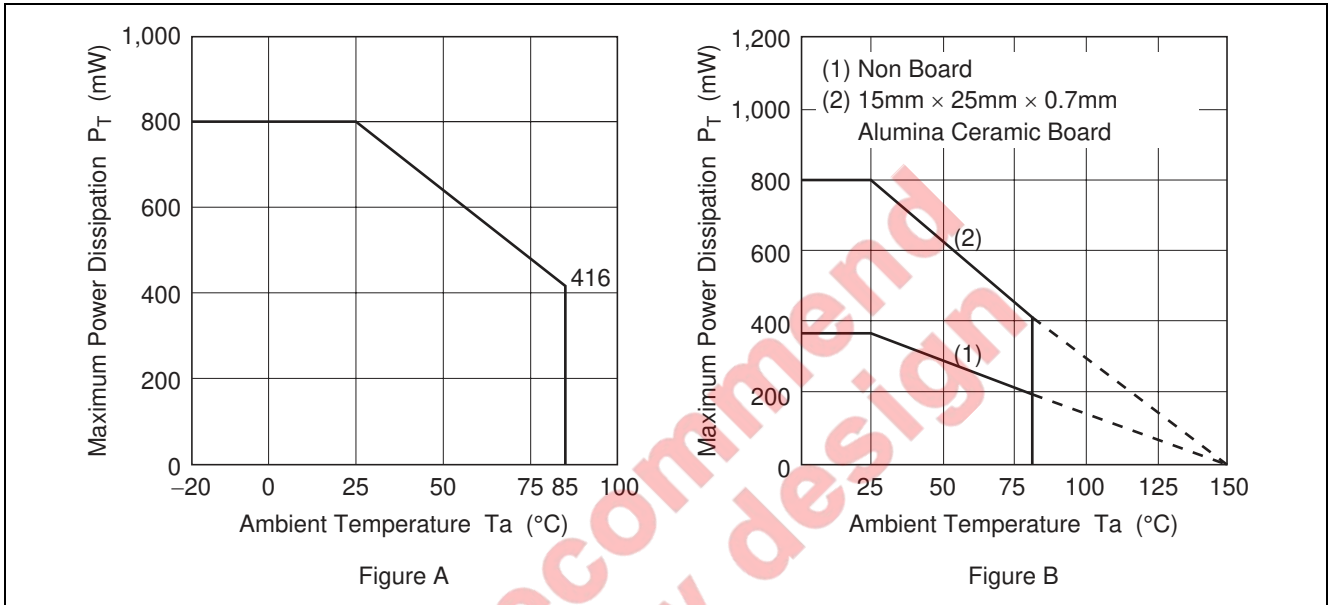
5. (5) shows the production week code.

Absolute Maximum Ratings

(Ta = 25°C)

Item	Symbol	Rating	Unit	Note
Input voltage	V _{IN}	35	V	
Power dissipation	P _T	800	mW	TO-92 MOD * ¹
		800		UPAK * ²
Operating ambient temperature	T _{opr}	-40 to +85	°C	
Storage temperature	T _{stg}	-55 to +150	°C	

- Note: 1. Ta ≤ 25°C, If Ta > 25°C, derate by 6.4 mW/°C (See figure A)
 2. 15mm × 25mm × 0.7 mm alumina ceramic board, Ta ≤ 25°C (See figure B)



Not recommended for new designs

Electrical Characteristics

HA178L02

(V_{IN} = 10 V, I_{OUT} = 40 mA, 0°C ≤ T_j ≤ 125°C, C_{IN} = 0.33 μF, C_{OUT} = 0.1 μF)

Item	Symbol	HA178L02P HA178L02			HA178L02PA HA178L02A HA178L02UA			Unit	Test Conditions	
		Min	Typ	Max	Min	Typ	Max			
Output voltage	V _{OUT}	2.32	2.48	2.64	2.38	2.48	2.58	V	T _j = 25°C	
Line regulation	ΔV _{OLINE}	—	35	125	—	35	95	mV	T _j = 25°C	7 V ≤ V _{IN} ≤ 20 V
		—	30	100	—	30	75		8 V ≤ V _{IN} ≤ 20 V	
Load regulation	ΔV _{OLOAD}	—	14	—	—	14	—	mV	T _j = 25°C	1.0 mA ≤ I _{OUT} ≤ 150 mA
		—	9.5	50	—	9.5	50			1.0 mA ≤ I _{OUT} ≤ 100 mA
		—	4.5	25	—	4.5	25			1.0 mA ≤ I _{OUT} ≤ 40 mA
Output voltage	V _{OUT}	2.28	—	2.68	2.35	—	2.61	V	7 V ≤ V _{IN} ≤ 20 V, 1.0 mA ≤ I _{OUT} ≤ 40 mA	V _{IN} = 9 V, 1.0 mA ≤ I _{OUT} ≤ 70 mA
		2.28	—	2.68	2.35	—	2.61			
Quiescent current	I _Q	—	3.0	6.0	—	3.0	6.0	mA	T _j = 25°C	
Quiescent current change	ΔI _Q	—	—	1.5	—	—	1.5	mA	8.0 V ≤ V _{IN} ≤ 20 V, T _j = 25°C	1.0 mA ≤ I _{OUT} ≤ 40 mA, T _j = 25°C
		—	—	0.2	—	—	0.1			
Ripple rejection ratio	R _{REJ}	—	60	—	—	60	—	dB	f = 120 Hz, 8.0 V ≤ V _{IN} < 18 V, T _j = 25°C	
Temperature coefficient of output voltage	ΔV _{OUT} /ΔT _j	—	+0.2	—	—	+0.2	—	mV/°C	I _{OUT} = 5 mA	

HA178L56

(V_{IN} = 11 V, I_{OUT} = 40 mA, 0°C ≤ T_j ≤ 125°C, C_{IN} = 0.33 μF, C_{OUT} = 0.1 μF)

Item	Symbol	HA178L56P HA178L56			HA178L56PA HA178L56A HA178L56UA			Unit	Test Conditions	
		Min	Typ	Max	Min	Typ	Max			
Output voltage	V _{OUT}	5.24	5.6	5.96	5.38	5.6	5.82	V	T _j = 25°C	
Line regulation	ΔV _{OLINE}	—	50	200	—	50	150	mV	T _j = 25°C	7.6 V ≤ V _{IN} ≤ 21 V
		—	45	150	—	45	100			8.5 V ≤ V _{IN} ≤ 21 V
Load regulation	ΔV _{OLOAD}	—	17	—	—	17	—	mV	T _j = 25°C	1.0 mA ≤ I _{OUT} ≤ 150 mA
		—	11	60	—	11	60			1.0 mA ≤ I _{OUT} ≤ 100 mA
		—	5.0	30	—	5.0	30			1.0 mA ≤ I _{OUT} ≤ 40 mA
Output voltage	V _{OUT}	5.16	—	6.04	5.32	—	5.88	V	7.6 V ≤ V _{IN} ≤ 21 V, 1.0 mA ≤ I _{OUT} ≤ 40 mA	V _{IN} = 11 V, 1.0 mA ≤ I _{OUT} ≤ 70 mA
		5.16	—	6.04	5.32	—	5.88			
Quiescent current	I _Q	—	3.0	6.0	—	3.0	6.0	mA	T _j = 25°C	
Quiescent current change	ΔI _Q	—	—	1.5	—	—	1.5	mA	8.5 V ≤ V _{IN} ≤ 2.0 V, T _j = 25°C	1.0 mA ≤ I _{OUT} ≤ 40 mA, T _j = 25°C
		—	—	0.2	—	—	0.1			
Ripple rejection ratio	R _{REJ}	—	58	—	—	58	—	dB	f = 120 Hz, 8.5 V ≤ V _{IN} < 18.5 V, T _j = 25°C	
Temperature coefficient of output voltage	ΔV _{OUT} /ΔT _j	—	+0.1	—	—	+0.1	—	mV/°C	I _{OUT} = 5 mA	
Dropout voltage	V _{DROP}	—	1.7	—	—	1.7	—	V	T _j = 25°C	

HA178L06

($V_{IN} = 11\text{ V}$, $I_{OUT} = 40\text{ mA}$, $0^\circ\text{C} \leq T_j \leq 125^\circ\text{C}$, $C_{IN} = 0.33\ \mu\text{F}$, $C_{OUT} = 0.1\ \mu\text{F}$)

Item	Symbol	HA178L06P HA178L06			HA178L06PA HA178L06A HA178L06UA			Unit	Test Conditions
		Min	Typ	Max	Min	Typ	Max		
Output voltage	V_{OUT}	5.61	6.0	6.39	5.76	6.0	6.24	V	$T_j = 25^\circ\text{C}$
Line regulation	ΔV_{OLINE}	—	50	200	—	50	150	mV	$T_j = 25^\circ\text{C}$
		—	45	150	—	45	110		$8.1\text{ V} \leq V_{IN} \leq 21\text{ V}$ $9.0\text{ V} \leq V_{IN} \leq 21\text{ V}$
Load regulation	ΔV_{OLOAD}	—	17.5	—	—	17.5	—	mV	$T_j = 25^\circ\text{C}$
		—	12	70	—	12	70		$1.0\text{ mA} \leq I_{OUT} \leq 150\text{ mA}$ $1.0\text{ mA} \leq I_{OUT} \leq 100\text{ mA}$
		—	5.5	35	—	5.5	35		$1.0\text{ mA} \leq I_{OUT} \leq 40\text{ mA}$
Output voltage	V_{OUT}	5.52	—	6.48	5.7	—	6.3	V	$8.1\text{ V} \leq V_{IN} \leq 21\text{ V}$, $1.0\text{ mA} \leq I_{OUT} \leq 40\text{ mA}$
		5.52	—	6.48	5.7	—	6.3		$V_{IN} = 11\text{ V}$, $1.0\text{ mA} \leq I_{OUT} \leq 70\text{ mA}$
Quiescent current	I_Q	—	3.0	6.0	—	3.0	6.0	mA	$T_j = 25^\circ\text{C}$
Quiescent current change	ΔI_Q	—	—	1.5	—	—	1.5	mA	$9.0\text{ V} \leq V_{IN} \leq 20\text{ V}$, $T_j = 25^\circ\text{C}$
		—	—	0.2	—	—	0.1		$1.0\text{ mA} \leq I_{OUT} \leq 40\text{ mA}$, $T_j = 25^\circ\text{C}$
Ripple rejection ratio	R_{REJ}	—	57	—	—	57	—	dB	$f = 120\text{ Hz}$, $9.0\text{ V} \leq V_{IN} < 19\text{ V}$, $T_j = 25^\circ\text{C}$
Temperature coefficient of output voltage	$\Delta V_{OUT}/\Delta T_j$	—	+0.1	—	—	+0.1	—	mV/°C	$I_{OUT} = 5\text{ mA}$
Dropout voltage	V_{DROP}	—	1.7	—	—	1.7	—	V	$T_j = 25^\circ\text{C}$

HA178L09

($V_{IN} = 15\text{ V}$, $I_{OUT} = 40\text{ mA}$, $0^\circ\text{C} \leq T_j \leq 125^\circ\text{C}$, $C_{IN} = 0.33\ \mu\text{F}$, $C_{OUT} = 0.1\ \mu\text{F}$)

Item	Symbol	HA178L09P HA178L09			HA178L09PA HA178L09A HA178L09UA			Unit	Test Conditions
		Min	Typ	Max	Min	Typ	Max		
Output voltage	V_{OUT}	8.42	9.0	9.58	8.64	9.0	9.36	V	$T_j = 25^\circ\text{C}$
Line regulation	ΔV_{OLINE}	—	80	230	—	80	200	mV	$T_j = 25^\circ\text{C}$
		—	20	160	—	20	160		$11.4\text{ V} \leq V_{IN} \leq 24\text{ V}$ $12\text{ V} \leq V_{IN} \leq 24\text{ V}$
Load regulation	ΔV_{OLOAD}	—	24.5	—	—	24.5	—	mV	$T_j = 25^\circ\text{C}$
		—	17	90	—	17	90		$1.0\text{ mA} \leq I_{OUT} \leq 150\text{ mA}$ $1.0\text{ mA} \leq I_{OUT} \leq 100\text{ mA}$
		—	8.0	45	—	8.0	45		$1.0\text{ mA} \leq I_{OUT} \leq 40\text{ mA}$
Output voltage	V_{OUT}	8.28	—	9.72	8.55	—	9.45	V	$11.4\text{ V} \leq V_{IN} \leq 24\text{ V}$, $1.0\text{ mA} \leq I_{OUT} \leq 40\text{ mA}$
		8.28	—	9.72	8.55	—	9.45		$V_{IN} = 15\text{ V}$, $1.0\text{ mA} \leq I_{OUT} \leq 70\text{ mA}$
Quiescent current	I_Q	—	3.1	6.5	—	3.1	6.5	mA	$T_j = 25^\circ\text{C}$
Quiescent current change	ΔI_Q	—	—	1.5	—	—	1.5	mA	$12\text{ V} \leq V_{IN} \leq 24\text{ V}$, $T_j = 25^\circ\text{C}$
		—	—	0.2	—	—	0.1		$1.0\text{ mA} \leq I_{OUT} \leq 40\text{ mA}$, $T_j = 25^\circ\text{C}$
Ripple rejection ratio	R_{REJ}	—	55	—	—	55	—	dB	$f = 120\text{ Hz}$, $12\text{ V} \leq V < 24\text{ V}$, $T_j = 25^\circ\text{C}$
Temperature coefficient of output voltage	$\Delta V_{OUT}/\Delta T_j$	—	-0.15	—	—	-0.15	—	mV/°C	$I_{OUT} = 5\text{ mA}$
Dropout voltage	V_{DROP}	—	1.7	—	—	1.7	—	V	$T_j = 25^\circ\text{C}$

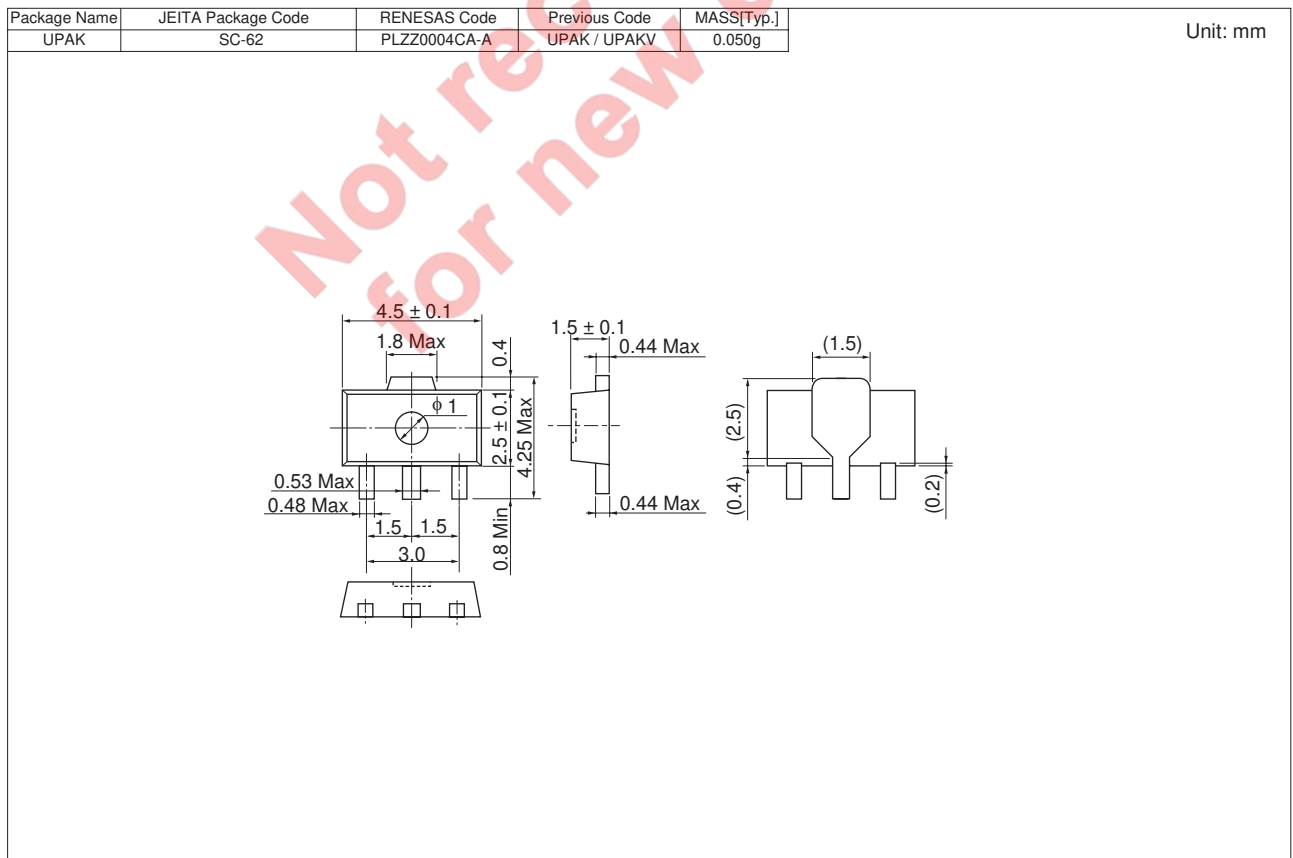
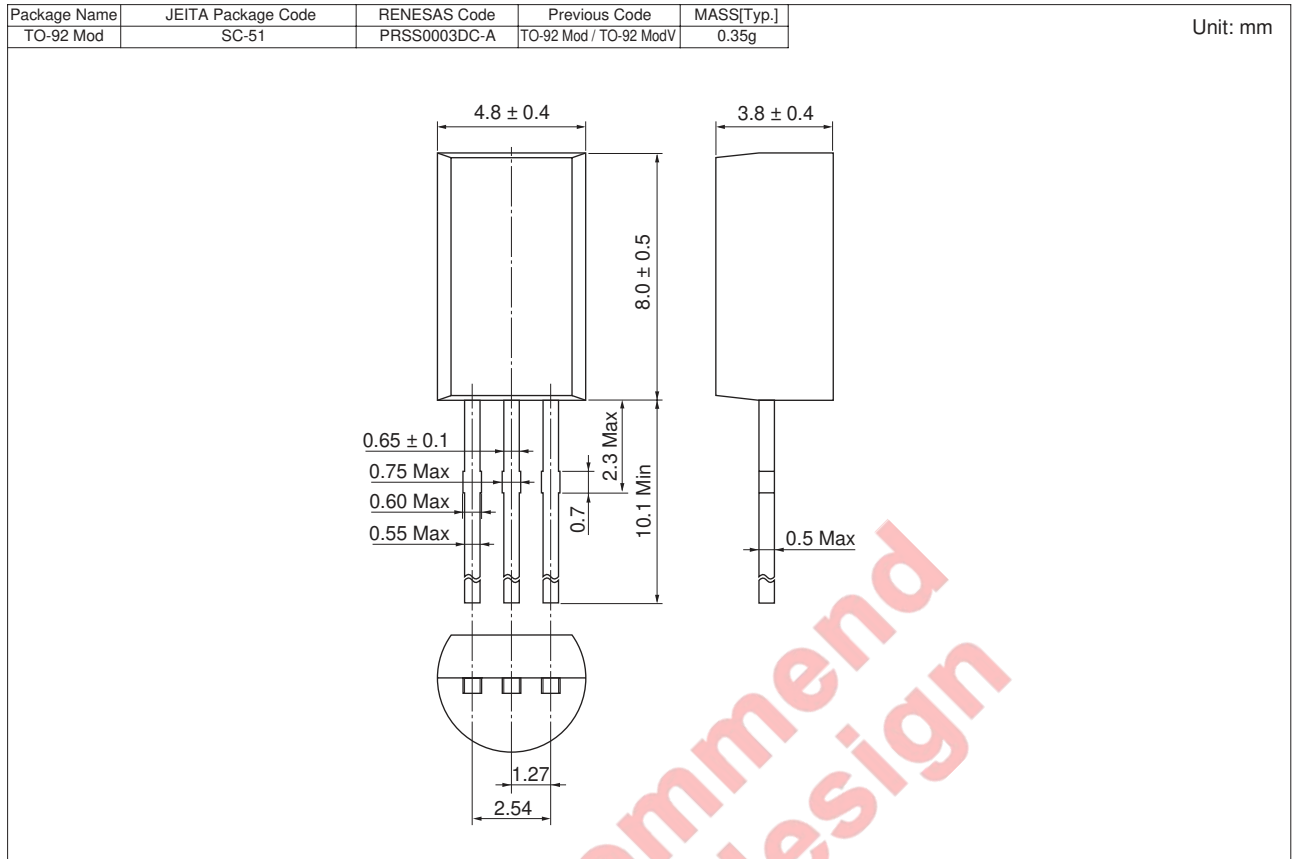
HA178L10

($V_{IN} = 16\text{ V}$, $I_{OUT} = 40\text{ mA}$, $0^{\circ}\text{C} \leq T_j \leq 125^{\circ}\text{C}$, $C_{IN} = 0.33\text{ }\mu\text{F}$, $C_{OUT} = 0.1\text{ }\mu\text{F}$)

Item	Symbol	HA178L10P HA178L10			HA178L10PA HA178L10A HA178L10UA			Unit	Test Conditions
		Min	Typ	Max	Min	Typ	Max		
Output voltage	V_{OUT}	9.35	10	10.65	9.6	10	10.4	V	$T_j = 25^{\circ}\text{C}$
Line regulation	ΔV_{OLINE}	—	80	230	—	80	230	mV	$T_j = 25^{\circ}\text{C}$
		—	30	170	—	30	170		$12.5\text{ V} \leq V_{IN} \leq 25\text{ V}$ $13\text{ V} \leq V_{IN} \leq 25\text{ V}$
Load regulation	ΔV_{OLOAD}	—	26	—	—	26	—	mV	$T_j = 25^{\circ}\text{C}$
		—	18	90	—	18	90		$1.0\text{ mA} \leq I_{OUT} \leq 150\text{ mA}$ $1.0\text{ mA} \leq I_{OUT} \leq 100\text{ mA}$
		—	8.5	45	—	8.5	45		$1.0\text{ mA} \leq I_{OUT} \leq 40\text{ mA}$
Output voltage	V_{OUT}	9.2	—	10.8	9.5	—	10.5	V	$12.5\text{ V} \leq V_{IN} \leq 25\text{ V}$, $1.0\text{ mA} \leq I_{OUT} \leq 40\text{ mA}$
		9.2	—	10.8	9.5	—	10.5		$V_{IN} = 16\text{ V}$, $1.0\text{ mA} \leq I_{OUT} \leq 70\text{ mA}$
Quiescent current	I_Q	—	3.1	6.5	—	3.1	6.5	mA	$T_j = 25^{\circ}\text{C}$
Quiescent current change	ΔI_Q	—	—	1.5	—	—	1.5	mA	$13\text{ V} \leq V_{IN} \leq 25\text{ V}$, $T_j = 25^{\circ}\text{C}$
		—	—	0.2	—	—	0.1		$1.0\text{ mA} \leq I_{OUT} \leq 40\text{ mA}$, $T_j = 25^{\circ}\text{C}$
Ripple rejection ratio	R_{REJ}	—	54	—	—	54	—	dB	$f = 120\text{ Hz}$, $13\text{ V} \leq V_{IN} < 24\text{ V}$, $T_j = 25^{\circ}\text{C}$
Temperature coefficient of output voltage	$\Delta V_{OUT}/\Delta T_j$	—	-0.2	—	—	-0.2	—	mV/ $^{\circ}\text{C}$	$I_{OUT} = 5\text{ mA}$
Dropout voltage	V_{DROP}	—	1.7	—	—	1.7	—	V	$T_j = 25^{\circ}\text{C}$

Not recommended for new design

Package Dimensions



Notes:

1. This document is provided for reference purposes only so that Renesas customers may select the appropriate Renesas products for their use. Renesas neither makes warranties or representations with respect to the accuracy or completeness of the information contained in this document nor grants any license to any intellectual property rights or any other rights of Renesas or any third party with respect to the information in this document.
2. Renesas shall have no liability for damages or infringement of any intellectual property or other rights arising out of the use of any information in this document, including, but not limited to, product data, diagrams, charts, programs, algorithms, and application circuit examples.
3. You should not use the products or the technology described in this document for the purpose of military applications such as the development of weapons of mass destruction or for the purpose of any other military use. When exporting the products or technology described herein, you should follow the applicable export control laws and regulations, and procedures required by such laws and regulations.
4. All information included in this document such as product data, diagrams, charts, programs, algorithms, and application circuit examples, is current as of the date this document is issued. Such information, however, is subject to change without any prior notice. Before purchasing or using any Renesas products listed in this document, please confirm the latest product information with a Renesas sales office. Also, please pay regular and careful attention to additional and different information to be disclosed by Renesas such as that disclosed through our website. (<http://www.renesas.com>)
5. Renesas has used reasonable care in compiling the information included in this document, but Renesas assumes no liability whatsoever for any damages incurred as a result of errors or omissions in the information included in this document.
6. When using or otherwise relying on the information in this document, you should evaluate the information in light of the total system before deciding about the applicability of such information to the intended application. Renesas makes no representations, warranties or guarantees regarding the suitability of its products for any particular application and specifically disclaims any liability arising out of the application and use of the information in this document or Renesas products.
7. With the exception of products specified by Renesas as suitable for automobile applications, Renesas products are not designed, manufactured or tested for applications or otherwise in systems the failure or malfunction of which may cause a direct threat to human life or create a risk of human injury or which require especially high quality and reliability such as safety systems, or equipment or systems for transportation and traffic, healthcare, combustion control, aerospace and aeronautics, nuclear power, or undersea communication transmission. If you are considering the use of our products for such purposes, please contact a Renesas sales office beforehand. Renesas shall have no liability for damages arising out of the uses set forth above.
8. Notwithstanding the preceding paragraph, you should not use Renesas products for the purposes listed below:
 - (1) artificial life support devices or systems
 - (2) surgical implantations
 - (3) healthcare intervention (e.g., excision, administration of medication, etc.)
 - (4) any other purposes that pose a direct threat to human lifeRenesas shall have no liability for damages arising out of the uses set forth in the above and purchasers who elect to use Renesas products in any of the foregoing applications shall indemnify and hold harmless Renesas Technology Corp., its affiliated companies and their officers, directors, and employees against any and all damages arising out of such applications.
9. You should use the products described herein within the range specified by Renesas, especially with respect to the maximum rating, operating supply voltage range, movement power voltage range, heat radiation characteristics, installation and other product characteristics. Renesas shall have no liability for malfunctions or damages arising out of the use of Renesas products beyond such specified ranges.
10. Although Renesas endeavors to improve the quality and reliability of its products, IC products have specific characteristics such as the occurrence of failure at a certain rate and malfunctions under certain use conditions. Please be sure to implement safety measures to guard against the possibility of physical injury, and injury or damage caused by fire in the event of the failure of a Renesas product, such as safety design for hardware and software including but not limited to redundancy, fire control and malfunction prevention, appropriate treatment for aging degradation or any other applicable measures. Among others, since the evaluation of microcomputer software alone is very difficult, please evaluate the safety of the final products or system manufactured by you.
11. In case Renesas products listed in this document are detached from the products to which the Renesas products are attached or affixed, the risk of accident such as swallowing by infants and small children is very high. You should implement safety measures so that Renesas products may not be easily detached from your products. Renesas shall have no liability for damages arising out of such detachment.
12. This document may not be reproduced or duplicated, in any form, in whole or in part, without prior written approval from Renesas.
13. Please contact a Renesas sales office if you have any questions regarding the information contained in this document, Renesas semiconductor products, or if you have any other inquiries.



RENESAS SALES OFFICES

<http://www.renesas.com>

Refer to "<http://www.renesas.com/en/network>" for the latest and detailed information.

Renesas Technology America, Inc.
450 Holger Way, San Jose, CA 95134-1368, U.S.A
Tel: <1> (408) 382-7500, Fax: <1> (408) 382-7501

Renesas Technology Europe Limited
Dukes Meadow, Millboard Road, Bourne End, Buckinghamshire, SL8 5FH, U.K.
Tel: <44> (1628) 585-100, Fax: <44> (1628) 585-900

Renesas Technology (Shanghai) Co., Ltd.
Unit 204, 205, AZIA Center, No.1233 Lujiazui Ring Rd, Pudong District, Shanghai, China 200120
Tel: <86> (21) 5877-1818, Fax: <86> (21) 6887-7858/7898

Renesas Technology Hong Kong Ltd.
7th Floor, North Tower, World Finance Centre, Harbour City, Canton Road, Tsimshatsui, Kowloon, Hong Kong
Tel: <852> 2265-6688, Fax: <852> 2377-3473

Renesas Technology Taiwan Co., Ltd.
10th Floor, No.99, Fushing North Road, Taipei, Taiwan
Tel: <886> (2) 2715-2888, Fax: <886> (2) 3518-3399

Renesas Technology Singapore Pte. Ltd.
1 Harbour Front Avenue, #06-10, Keppel Bay Tower, Singapore 098632
Tel: <65> 6213-0200, Fax: <65> 6278-8001

Renesas Technology Korea Co., Ltd.
Kukje Center Bldg. 18th Fl., 191, 2-ka, Hangang-ro, Yongsan-ku, Seoul 140-702, Korea
Tel: <82> (2) 796-3115, Fax: <82> (2) 796-2145

Renesas Technology Malaysia Sdn. Bhd
Unit 906, Block B, Menara Amcorp, Amcorp Trade Centre, No.18, Jln Persiaran Barat, 46050 Petaling Jaya, Selangor Darul Ehsan, Malaysia
Tel: <603> 7955-9390, Fax: <603> 7955-9510