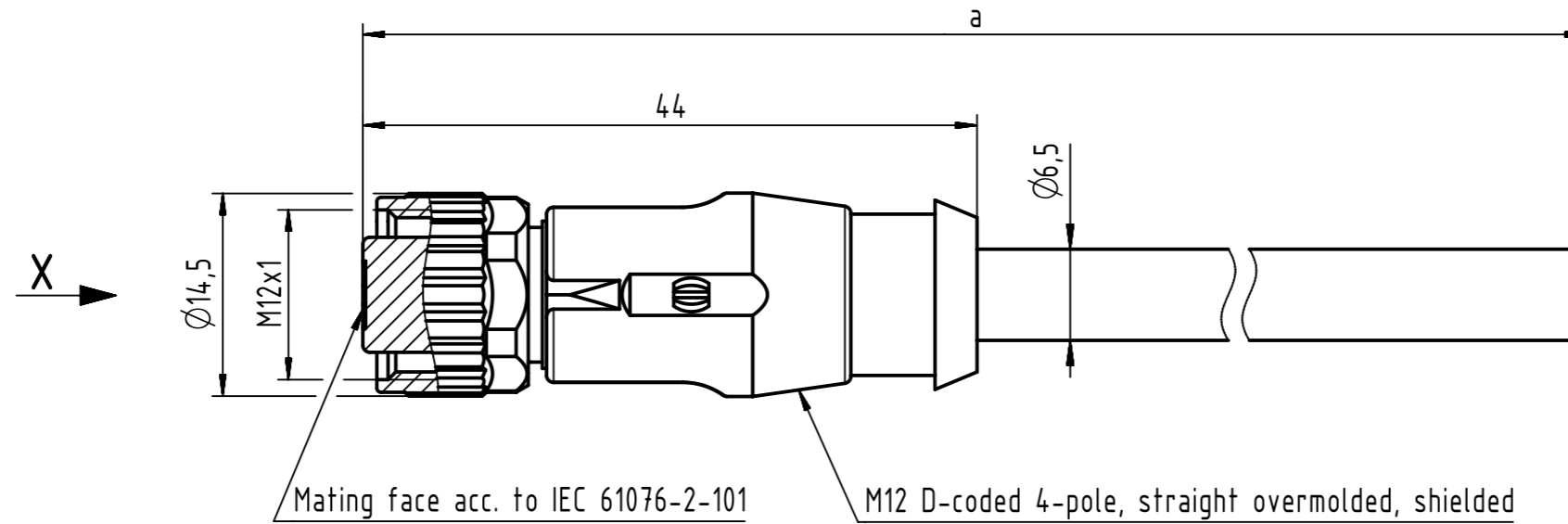


Connector Location A

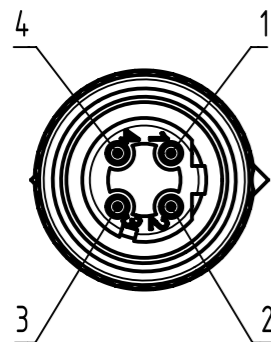
Connector Location B



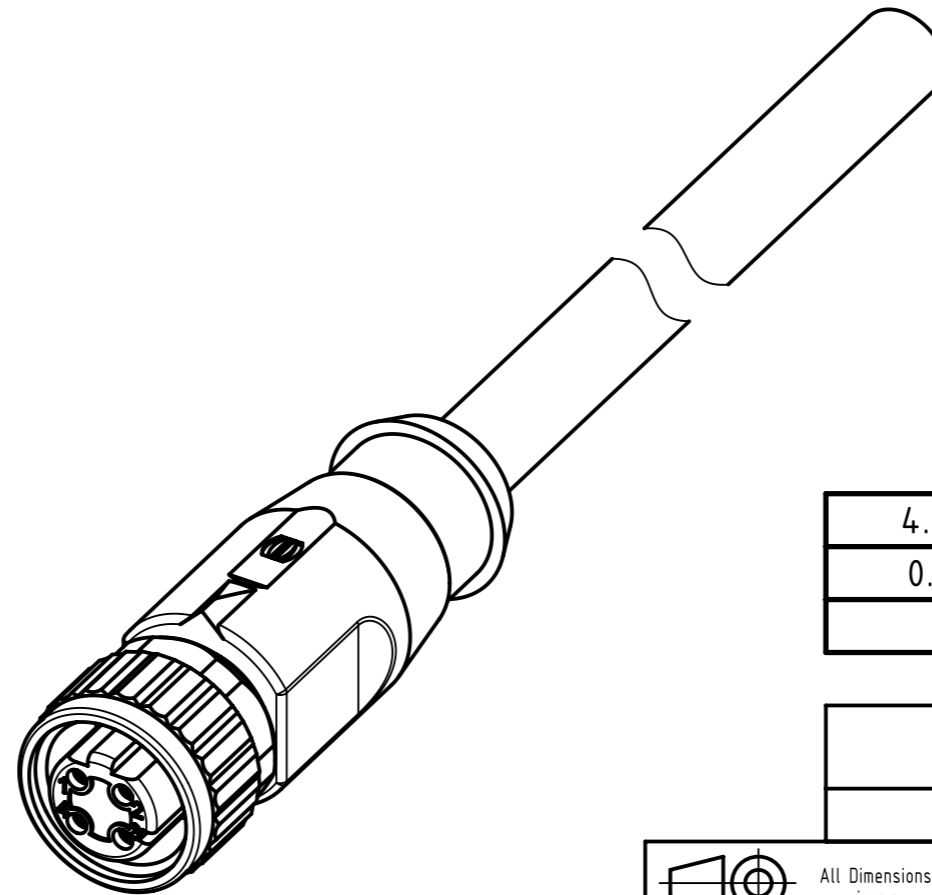
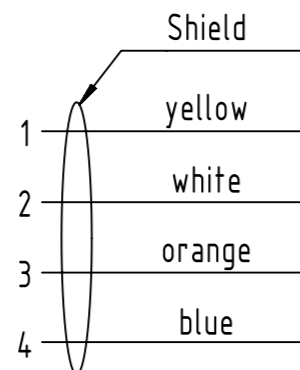
E500416



X female



Loading-Plan:



- Protection level: IP67
- Temperature range: -30°C ... +70°C

length in "1m" step	100	XXX=000
	99	XXX=990
	.	.
	12	XXX=120
	11	XXX=110
length in "0.1m" step	10	XXX=100
	9.9	XXX=099
	9.8	XXX=098
	.	.
	0.4	XXX=004
	0.3	XXX=003
	0.2	XXX=002
	0.1	XXX=001
Step	a [m]	XXX

4.0 to 100	±1%
0.1 to 3.9	+0.04
a [m]	Tolerance

PUR, green, 4xAWG22/7	21349300477XXX
Type of cable	Part no.

	All rights reserved	Created by COSTEA Costea	Inspected by STOCHECIC Stocheci	Standardisation MUNTEANV Muntean	Date 2018-12-12	State Final Release
Department HCS - RO		Title M12 Cable Assembly D-cod st/- f/-		Doc-Key / ECM-Nr. 100807123/UGD/000/A 500000144262		Rev. A
HARTING Customised Solutions D-32339 Espelkamp		Type TB	Number 21349300477XXX		Page 1/1	