

1

2

3

4

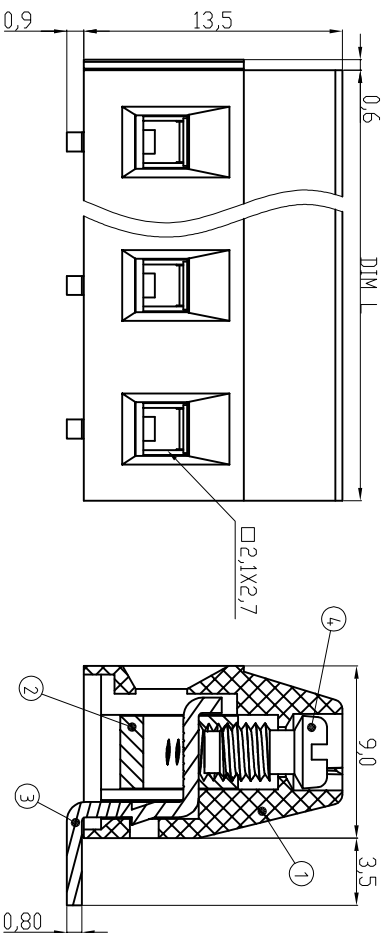
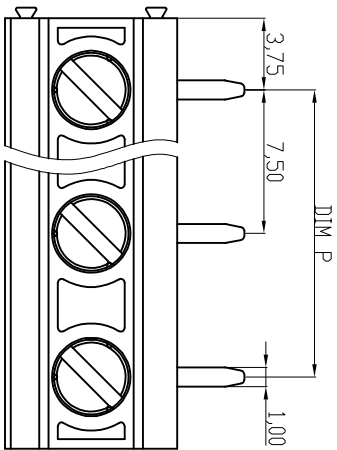
5

6

7

Material

- ① Terminal housing: Thermoplastic (UL94V-0) , GREEN
- ② Clamp: Brass, Ni plated
- ③ Wire guard solder pin: Brass, Tin plated
- ④ Terminal screw: Steel Zinc plating " - " slot type



Electrical cULus/FIMKO
 Voltage rating:300VAC/300VAC
 Current rating:16A/17.5A
 Wire range: 1.5mm²
 Solid wire(AWG):12-28
 Stranded wire(AWG):12-28
 Torque(Lb-In):3.5Lb-In/0.5 Nm
 Screw: M3
 Wire strip length:6-7mm
 Withstanding Voltage: 1.6KV/2.5KV
 Operating temperature: -40°C to +115°C
 Soldering temperature: 250°C±10°C/5 Sec
 Safety Approval:

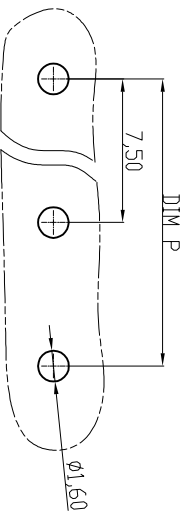


DIMENSION

L	Nx7.5
P	(N-1)x7.5

N=Number of poles

Poles	Tolerance
2p-6p	±0.15
7p-12p	±0.25
13p-16p	±0.35



RECOMMENDER PCB LAYOUT

Scale 1:1

TOLERANCE

X.	±0.50
X.X	±0.30
X.XX	±0.10

DIM	TOL
X.°	±1°
Angle	TOL



File No.: E349947

RoHS compliant

Scale	1:1	Id.	Modification	Date	Name
TOLERANCE		①	Add the UL File No.	19.04.2016	Winnie
X.	±0.50	②	Drawn	19.04.2010	Alex

ASSMANN
 WSW/ components

Customer-No.

ASSMANN WSW-No.
A-TB750-VIxxV

Drawing-No.

ASS 4106 CO rev01

Replace

Sheet

1

2

3

4

5

6

7

H

G

F

E

D

C

B

A

H

G

F

E

D

C

B

A