

pui
audio™ inc
a projects unlimited company

AI-2429-TWT-12V-2-R 24mm Indicator

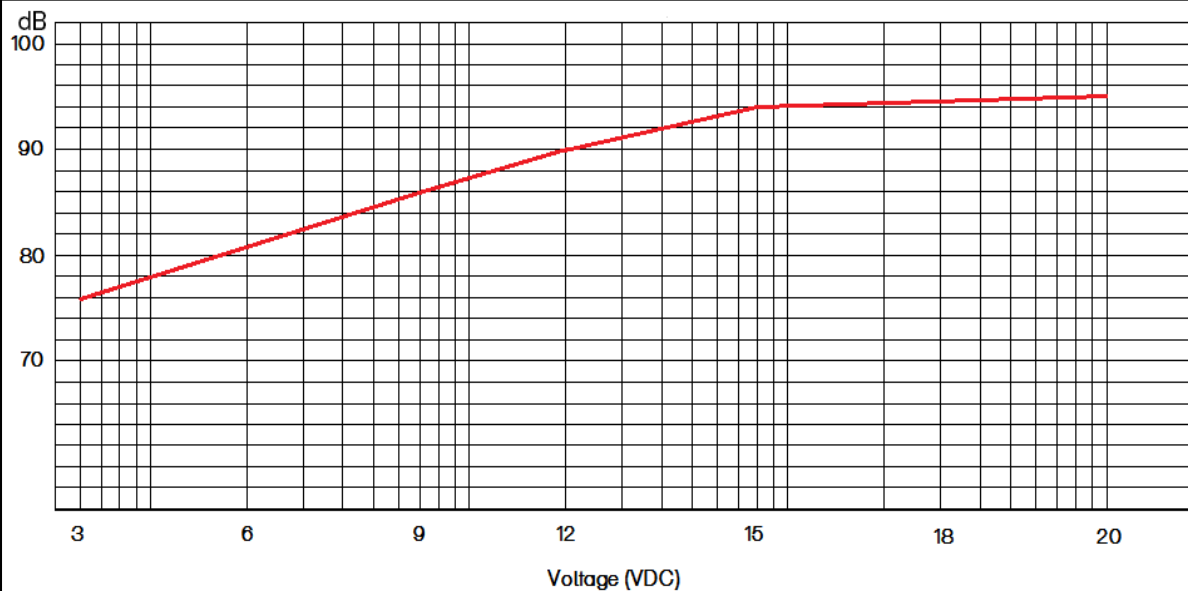


3541 Stop Eight Road • Dayton, Ohio 45414

Product Overview

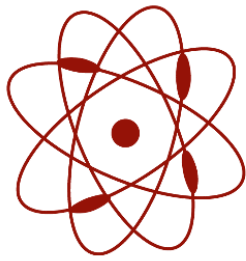
- 24mm diameter, 3-20 VDC self-drive indicator
- 100 dBA minimum output (12 VDC @ 10 cm) and 2,900 Hz continuous tone
- ABS 777 housing withstands Wave soldering temperatures
- Removable wash tag preserves performance
- Consumes only 8 mA of current

SPL vs Voltage (measured @ 30 cm)



RoHS Compliant





pui audio™ inc
a projects unlimited company

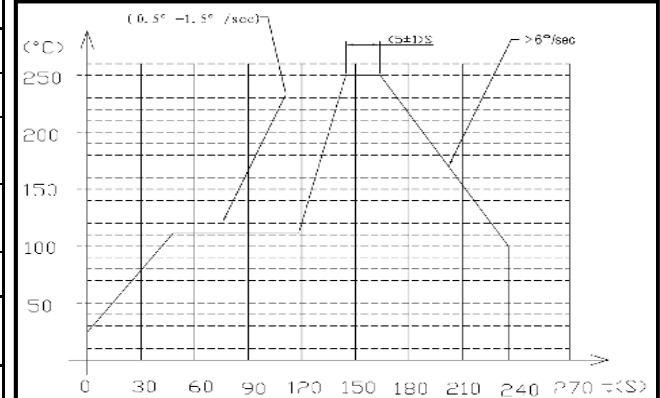
AI-2429-TWT-12V-2-R 24mm Indicator

Mechanical and Environment Testing

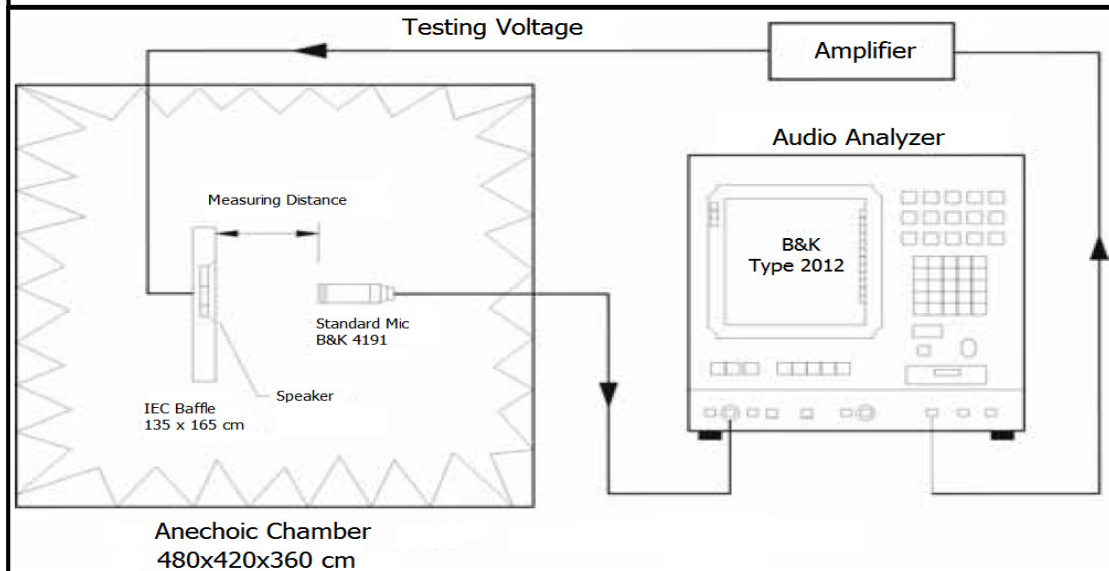
Test Description	Test Condition
High Temperature	80°C (±2°C) with random humidity for 96 hours
Low Temperature	-40°C (±2°C) with random humidity for 96 hours
Humidity	40°C (±2°C) with 90% to 95% relative humidity for 96 hours
Vibration	0.75 mm movement modulated at 10-55 Hz for 3 hours
Drop Test	100 cm free fall onto wood board, 10 cycles
Temperature Cycle Test	-40°C to 80°C, 100 cycles

After tests, part shall rest for 2 hours. Parts are then tested for clean, pure tones.

Wave Solder Profile



Frequency Response and SPL Measurement Setup



Temperature Cycle Test Graph

