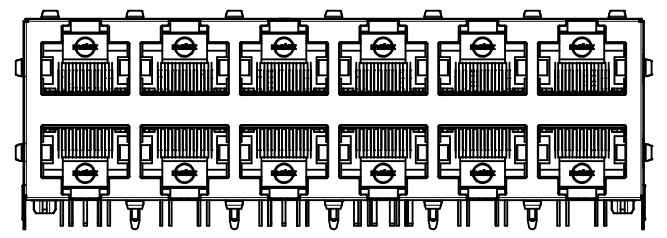
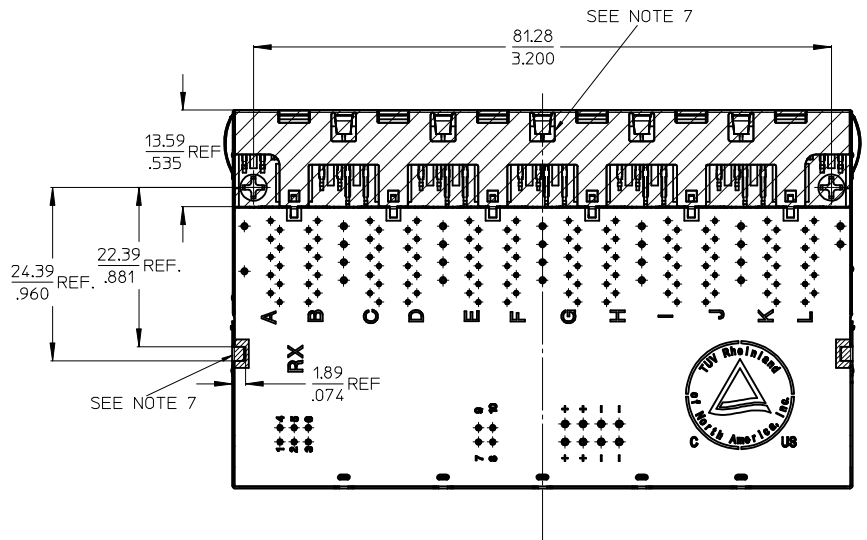


FRONT VIEW HYPERJACK 1000 POE+ ICM NON LED VERSION P/N 85719-0003



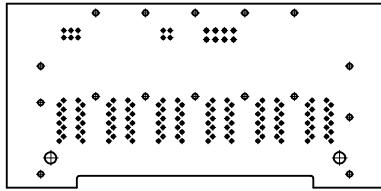
P / N	VERSION
85719-0101	LED VERSION
85719-0003	NON LED VERSION



- NOTES:
- SHIELD MATERIAL: BRASS, PLATING: NICKEL PRE-PLATING
 - PLASTIC MATERIAL: POLYESTER (PBT), BLACK, UL94V-0
 - TERMINALS MATERIAL: COPPER ALLOY
RJ45 CONTACT PLATING: 0.76 MICROMETER GOLD OVER 1.9 MICROMETER NICKEL
SOLDER TERMINALS: 3 MICROMETER TIN
 - JACK TO BE MATED WITH FCC 68.5 PLUGS / IEC 60603-7 PLUGS
 - PRODUCT SPECIFICATION: RPS-85719-001
 - PACKAGING SPECIFICATION: PK-85719-101
 - TRACES WITHOUT INSULATION NOT ALLOWED IN THE DASHED AREAS, (TO AVOID SHORTS TO SHIELD)
 - STAND OFF TO SYSTEM BOARD

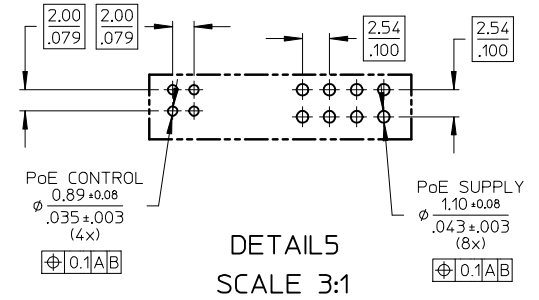
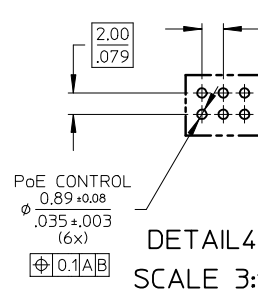
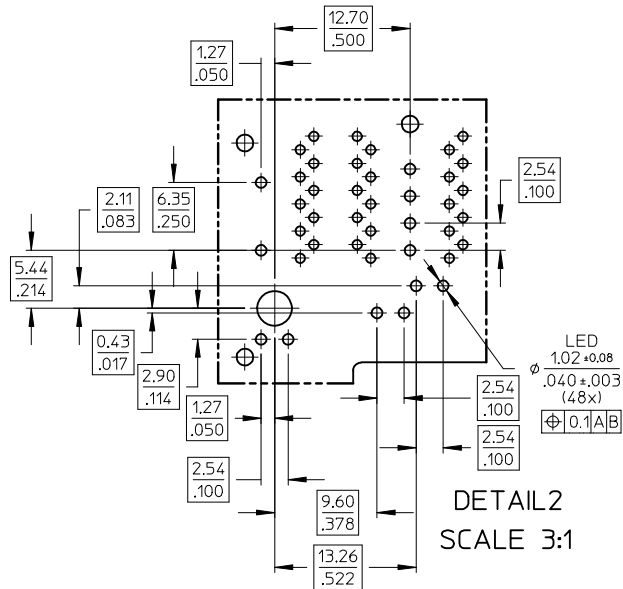
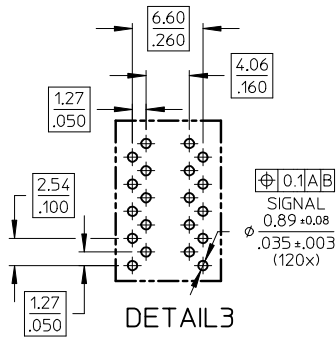
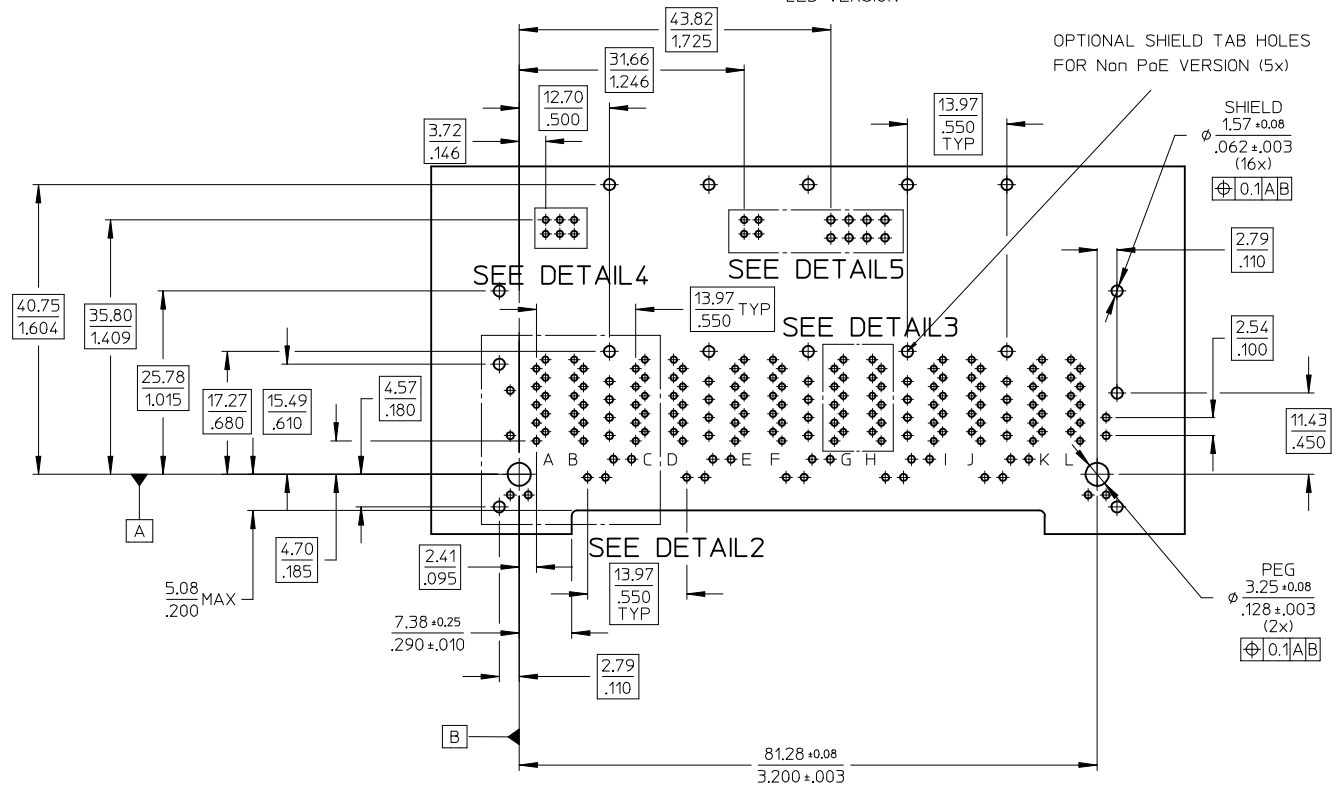
ENTER DESCRIPTION	QUALITY SYMBOLS	GENERAL TOLERANCES (UNLESS SPECIFIED)		DIMENSION STYLE		SCALE	DESIGN UNITS	THIRD ANGLE PROJECTION	
		mm	INCH	MM/IN	2:1	METRIC			
EC NO: IPC2013-0536 DRWN: JBADER 2014/01/23 CHKD: MMANGARUDOV 2014/01/23 APPR: SSTEINKE 2014/12/04	▽=0 ▽=0	4 PLACES ± .005	± .005	DRAWN BY	DATE	TITLE	HYPERJACK 1000 POE+ PSE ICM 2X6	MATERIAL NO.	SD-85719-101
		3 PLACES ± .01	± .01	JBADER	2009/03/11				
DESCRIPTION		2 PLACES ± 0.25	± .02	CHECKED BY	DATE	DOCUMENT NO.	MOLEX INCORPORATED	SHEET NO.	1 OF 3
		1 PLACE ± 0.5	± .05	MMANGARUDOV	2009/03/11				
		ANGULAR ± 1°		APPROVED BY	DATE				
		DRAFT WHERE APPLICABLE MUST REMAIN WITHIN DIMENSIONS		SSTEINKE	2009/03/11				
		SIZE A 2		THIS DRAWING CONTAINS INFORMATION THAT IS PROPRIETARY TO MOLEX INCORPORATED AND SHOULD NOT BE USED WITHOUT WRITTEN PERMISSION					

FOOT PRINT OUT FOR NON LED VERSION (85719-0003)
MISSING DIMENSIONS SEE LED VERSION



SCALE 1:1

FOOT PRINT OUT FOR
LED VERSION

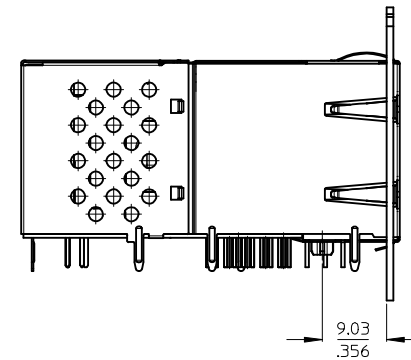
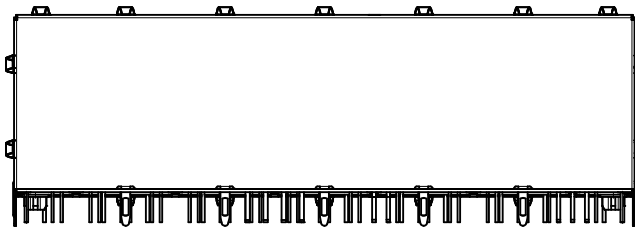
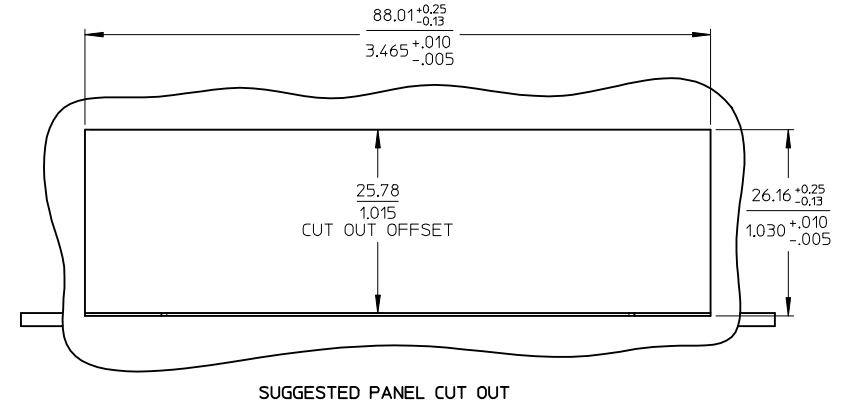
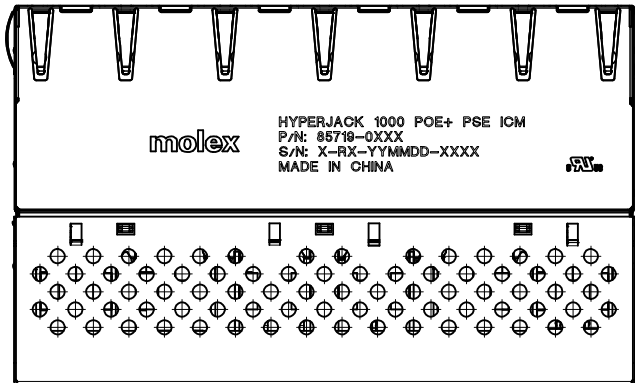


ENTER DESCRIPTION EC NO: IPG2013-0536 DRWN: JBADER 2014/01/23 CHKD: MMANGARUOV 2014/01/23 APPR: SSTEINKE 2014/12/04	QUALITY SYMBOLS $\nabla=0$ $\nabla=0$	GENERAL TOLERANCES (UNLESS SPECIFIED) <table border="1"> <tr> <th></th> <th>mm</th> <th>INCH</th> </tr> <tr> <td>4 PLACES</td> <td>$\pm .005$</td> <td>$\pm .0005$</td> </tr> <tr> <td>3 PLACES</td> <td>$\pm .008$</td> <td>$\pm .0008$</td> </tr> <tr> <td>2 PLACES</td> <td>$\pm .015$</td> <td>$\pm .0015$</td> </tr> <tr> <td>1 PLACE</td> <td>$\pm .030$</td> <td>$\pm .0030$</td> </tr> </table> ANGULAR $\pm 1^\circ$		mm	INCH	4 PLACES	$\pm .005$	$\pm .0005$	3 PLACES	$\pm .008$	$\pm .0008$	2 PLACES	$\pm .015$	$\pm .0015$	1 PLACE	$\pm .030$	$\pm .0030$	DIMENSION STYLE MM/IN	SCALE 2:1	DESIGN UNITS METRIC	THIRD ANGLE PROJECTION
				mm	INCH																
4 PLACES	$\pm .005$	$\pm .0005$																			
3 PLACES	$\pm .008$	$\pm .0008$																			
2 PLACES	$\pm .015$	$\pm .0015$																			
1 PLACE	$\pm .030$	$\pm .0030$																			
DESCRIPTION B	DRAFT WHERE APPLICABLE MUST REMAIN WITHIN DIMENSIONS	DRAWN BY JBADER DATE 2009/03/11 CHECKED BY MMANGARUDOV DATE 2009/03/11 APPROVED BY SSTEINKE DATE 2009/03/11	TITLE HYPERJACK 1000 POE+ PSE ICM 2X6	MOLEX INCORPORATED		SHEET NO. 2 OF 3															
SEE SHEET 1		MATERIAL NO.	DOCUMENT NO. SD-85719-101		INCORPORATED AND SHOULD NOT BE USED WITHOUT WRITTEN PERMISSION																

PRINTING
LED VERSION
HYPERJACK 1000 POE+ PSE ICM
P/N: 85718-0101
S/N: X-RX-YYMMDD-XXXX
MADE IN CHINA

PRINTING
NON LED VERSION
HYPERJACK 1000 POE+ PSE ICM
P/N: 85718-0003
S/N: X-RX-YYMMDD-XXXX
MADE IN CHINA

PRINTING



NOTES:

1 - PRINTING MARKED BY LASER

2 - INSCRIPTION:

1st LINE: PART NAME

2nd LINE: PART NUMBER

3rd LINE: SERIES NUMBER -> MANUFACTURER ID - CONNECTOR REVISION -
DATE CODE (YEAR, MONTH, DAY) - CONSECUTIVE NUMBER

4th LINE: COUNTRY OF ORIGIN

3 - UL LOGO

ENTER DESCRIPTION EC NO: IPC2013-0536 DRWN: JBADER 2014/01/23 CHKD: MMANGARUDOV 2014/01/23 APPR: SSTE INKE 2014/12/04	QUALITY SYMBOLS ▽=0 ▽=0	GENERAL TOLERANCES (UNLESS SPECIFIED)		DIMENSION STYLE MM/IN		SCALE 2:1	DESIGN UNITS METRIC	THIRD ANGLE PROJECTION	
		mm	INCH	DRAWN BY JBADER	DATE 2009/03/11	TITLE HYPERJACK 1000 POE+ PSE ICM 2X6	molex MOLEX INCORPORATED		
REV B	DESCRIPTION	4 PLACES ± --- ± ---		CHECKED BY MMANGARUDOV	DATE 2009/03/11	DOCUMENT NO. SD-85719-101		SHEET NO. 3 OF 3	
		3 PLACES ± --- ± .01		APPROVED BY SSTE INKE	DATE 2009/03/11	THIS DRAWING CONTAINS INFORMATION THAT IS PROPRIETARY TO MOLEX INCORPORATED AND SHOULD NOT BE USED WITHOUT WRITTEN PERMISSION			
		2 PLACES ± 0.25 ± .02		DRAFT WHERE APPLICABLE MUST REMAIN WITHIN DIMENSIONS					
		1 PLACE ± 0.5 ± ---		SEE SHEET 1					
		ANGULAR ± 1 °							