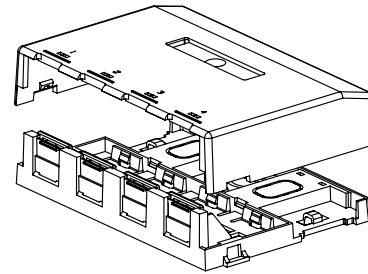
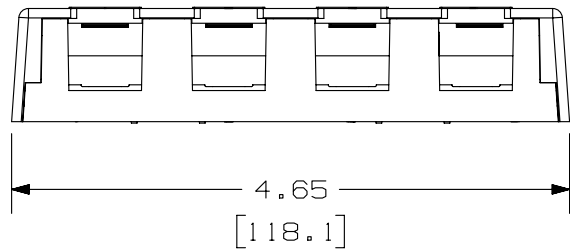
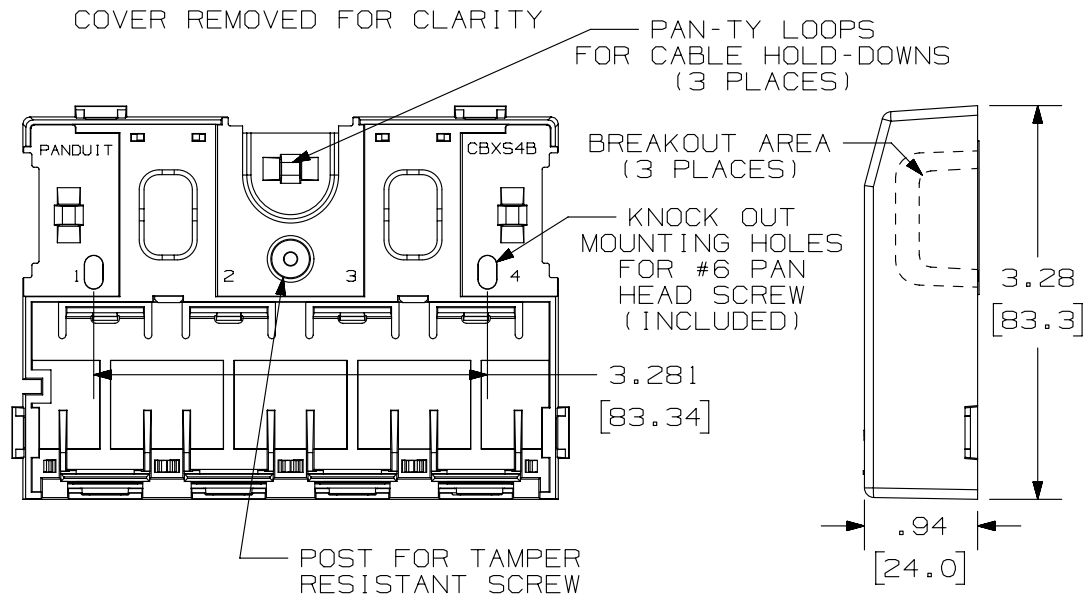


THIS COPY IS PROVIDED ON A RESTRICTED BASIS AND IS NOT TO BE USED IN ANY WAY DETRIMENTAL TO THE INTERESTS OF PANDUIT CORP.



PANDUIT P/N	WEIGHT
CBXS4**-AY	1.07 LB/10 PCS (485.3 g/10 PCS)

NOTES:

- SEE CURRENT CATALOG FOR ADDITIONAL PART NUMBER SUFFIXES TO INDICATE COLOR AND OR PACKAGE QUANTITY.
- SEE CATALOG FOR A COMPLETE LIST OF PARTS APPLICABLE FOR USE WITH THIS PART.
- DIMENSIONS IN [] ARE IN METRIC.
- BOX INCLUDES:
 - BOX BASE
 - BOX COVER
 - PLT1.5I-M PAN-TY
 - LABEL/ LABEL COVER
 - MOUNTING SCREW
 - MOUNTING SCREW (USED TO SECURE COVER TO BASE)
 - STRIP OF 1.00" X .75" FOAM TAPE FOR MOUNTING
 - STRIP OF 3.00" X .75" FOAM TAPE FOR MOUNTING
- BASE HAS TWO POCKETS FOR OPTIONAL MAGNET (CSBM-X)
- BREAKOUTS DESIGNED TO ACCEPT LD3/LDPH3 AND LD5/LDPH5 RACEWAY.
- BASE MATERIAL THICKNESS= .090 [2.29]

NO WARRANTY, EXPRESSED OR IMPLIED, IS MADE BY PANDUIT WITH RESPECT TO ADHESIVE BOND PERFORMANCE. AMONG OTHER THINGS, THE CONDITIONS UNDER WHICH THESE MOUNTS MAY BE APPLIED AND/OR THE SURFACE TO WHICH THEY MAY BE APPLIED ARE BEYOND PANDUIT'S CONTROL.

PART NUMBER		CBXS4**-AY	
TITLE			
MINI-COM 4 POSITION SHUTTERED SURFACE MOUNT BOX			
CUSTOMER DRAWING			
ITEM REVISION NAME		M02479EU/02	
DATASET FILE NAME		M02479EU_DC127/02A	
UNLESS OTHERWISE SPECIFIED, DIMENSIONAL TOLERANCES ARE: IN [mm]		MATERIAL:	
.x ± .xx ± .03 [.8]		BOX: ABS DOORS: PC	
ANGLES ±		DRAWING NUMBER:	
THIRD ANGLE PROJECTION		02479-127	
DRAWN BY	DATE	CHK	SCALE
JSP	12-27-06	MJD	NONE
SHT 1 OF 1			SIZE
			A

REV	DATE	BY	CHK	APR	DESCRIPTION	ECN
1	3/19/14	JSP	REFR	MMR	A. REVISED DRAWING TITLE BLOCK.	02479-127
R	12-27-06	JSP	MJD	MJD	RELEASED TO PRODUCTION	02479-127

D101000DA/14