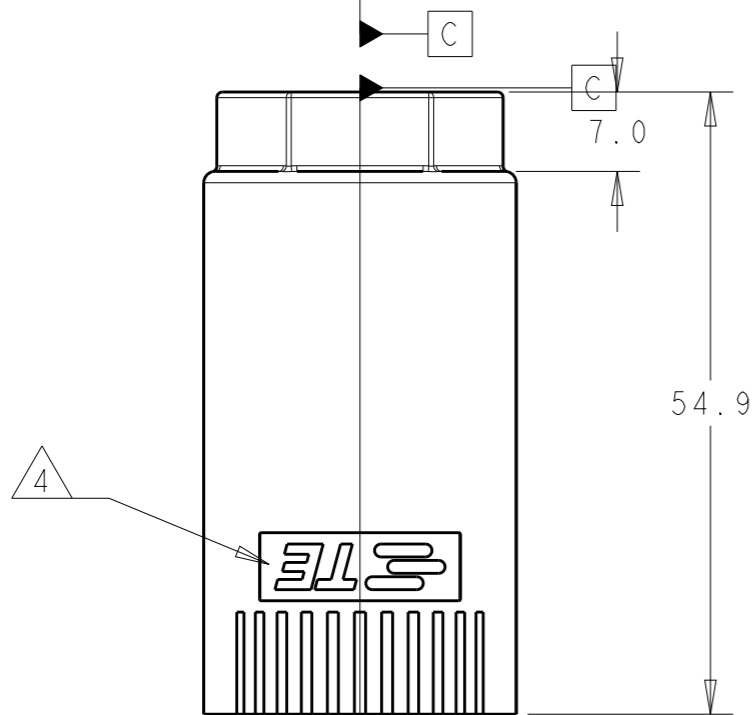
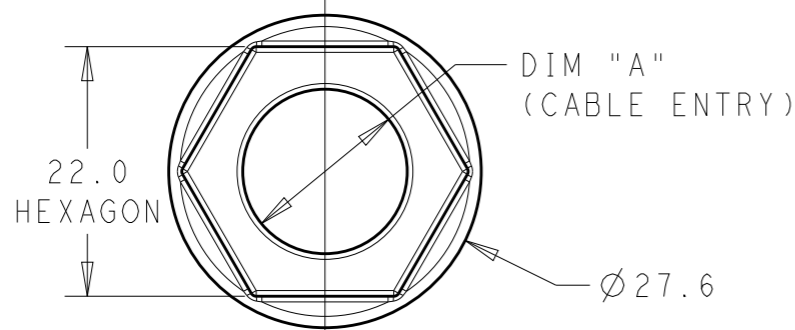
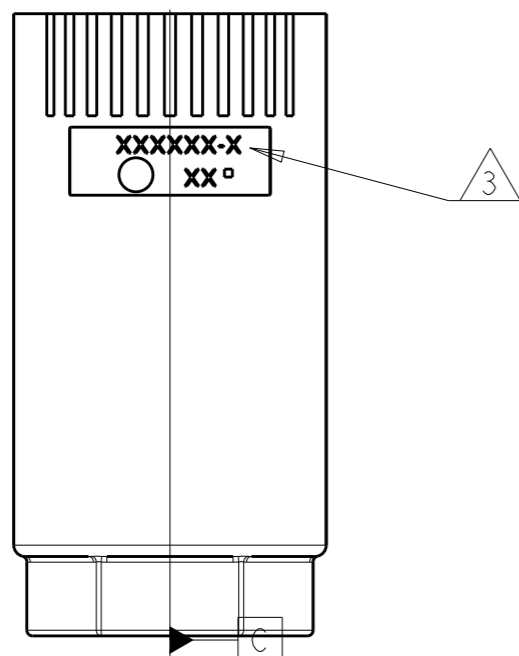


REVISIONS

P	LTR	DESCRIPTION	DATE	DWN	APVD
	A	REVISED AS PER ECR-15-005925	21APR2015	RS	JL



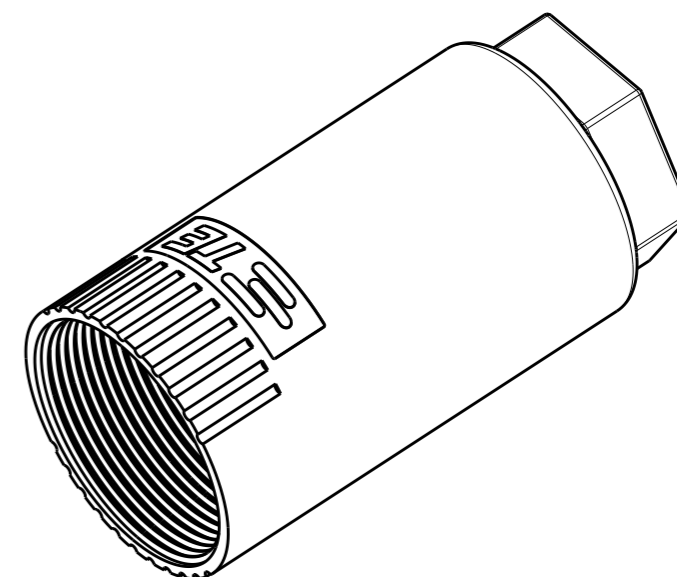
NOTES:

- 1. MATERIAL - GLASS FILLED PBT, COLOR BLACK
- 2. MUST COMPLY WITH DIRECTIVE 2002/95/EC (ROHS)

△ 3 TE PART NUMBER

△ 4 TE LOGO

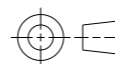
5. THIS PRODUCT HAS NOT COMPLETED VALIDATION TESTING



14.0 - 17.0	17.5	2213229-2
11.0 - 14.0	14.5	2213229-1
CABLE DIA MAX	DIA "A"	PART NO.

THIS DRAWING IS A CONTROLLED DOCUMENT.

DIMENSIONS:  
mm



TOLERANCES UNLESS OTHERWISE SPECIFIED:

0 PLC	±-
1 PLC	±0.2
2 PLC	±0.13
3 PLC	±-
4 PLC	±-
ANGLES	±-

MATERIAL  
NOTE 1

FINISH

DWN J. SHAFFER 15JAN2014

CHK M. LUKSIC 15JAN2014

APVD M. LUKSIC 15JAN2014

PRODUCT SPEC

108-133014

APPLICATION SPEC

114-32111

WEIGHT

-

Customer Drawing



TE Connectivity

NAME  
RING NUT, 5/6/7 POSITION, SEALED,  
NECTOR M-LINE

SIZE CAGE CODE DRAWING NO RESTRICTED TO

A3 - C-2213229 -

SCALE 1:1 SHEET 1 OF 1 REV A